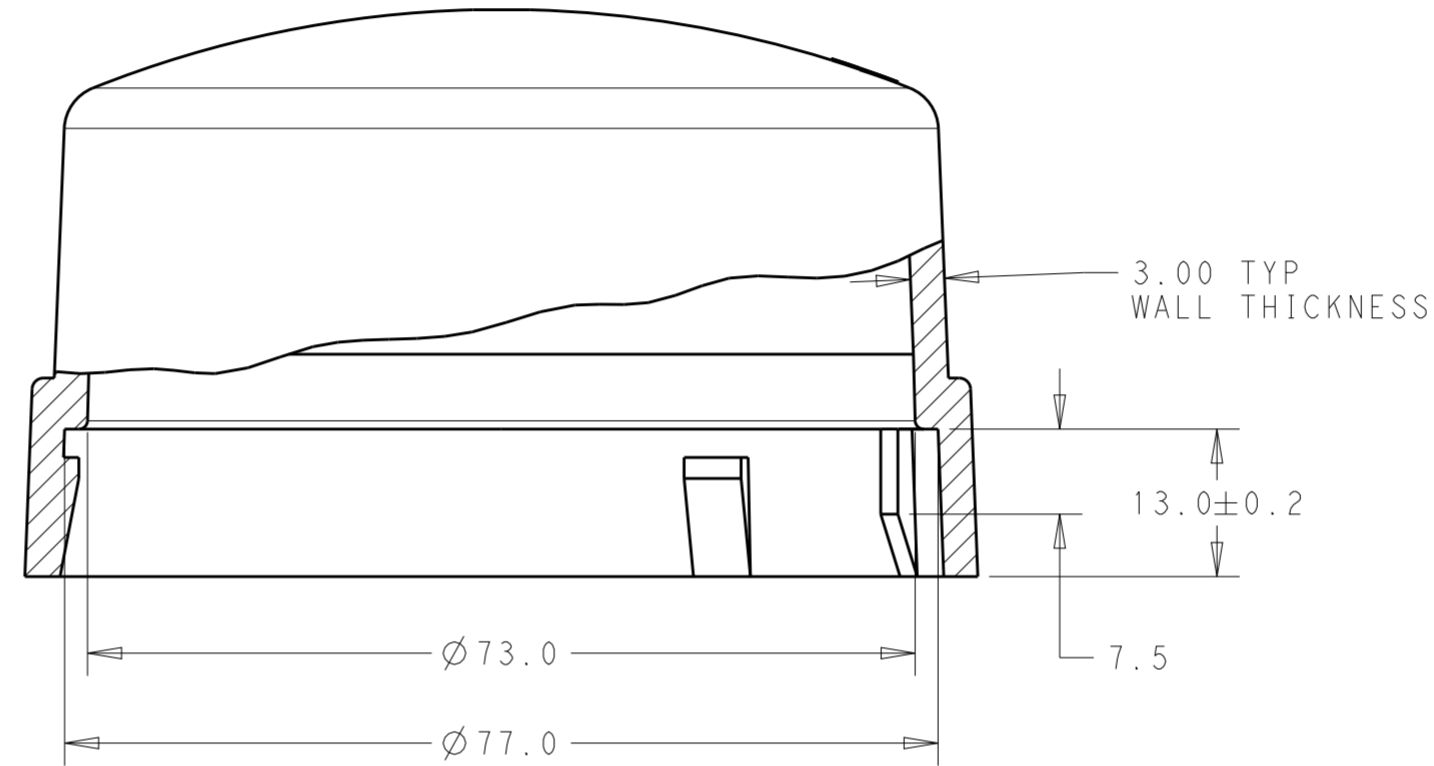
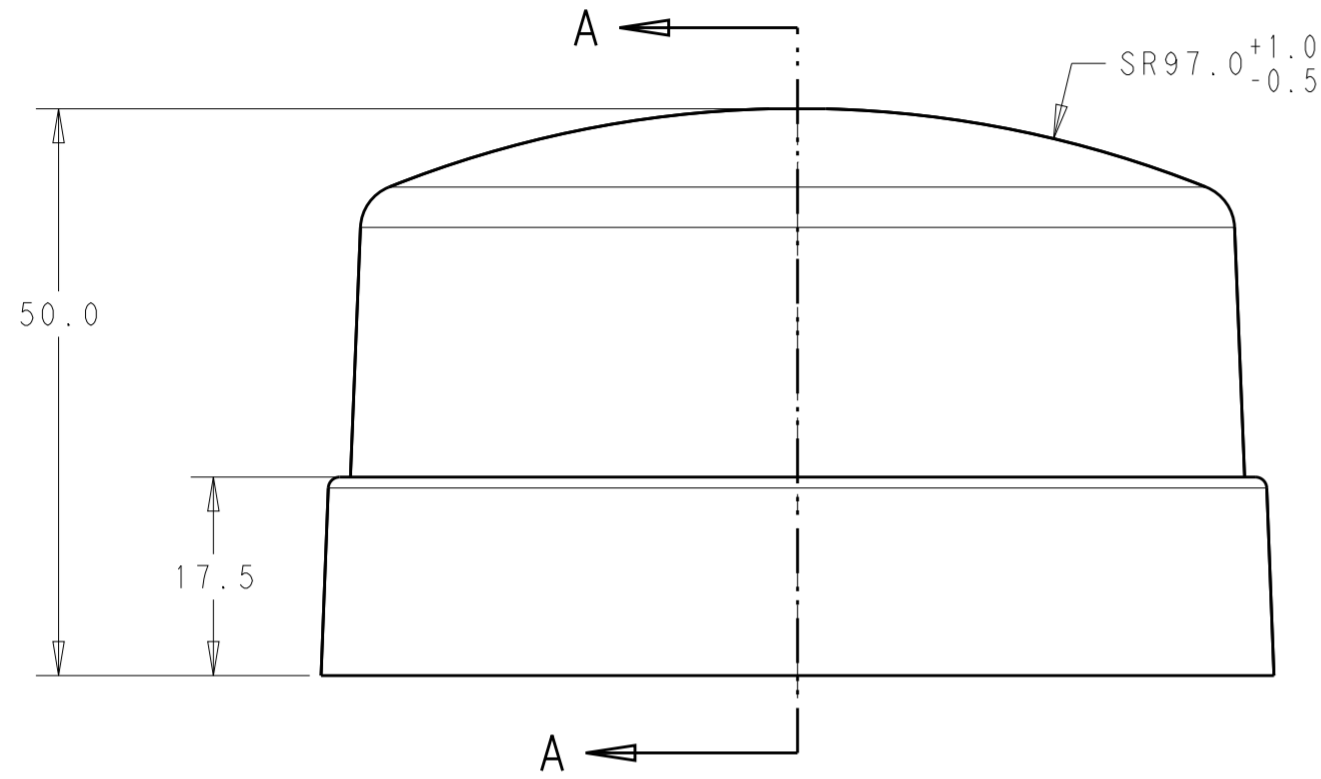


THIS DRAWING IS UNPUBLISHED. RELEASED FOR PUBLICATION 20  
 © COPYRIGHT 20 BY - ALL RIGHTS RESERVED.

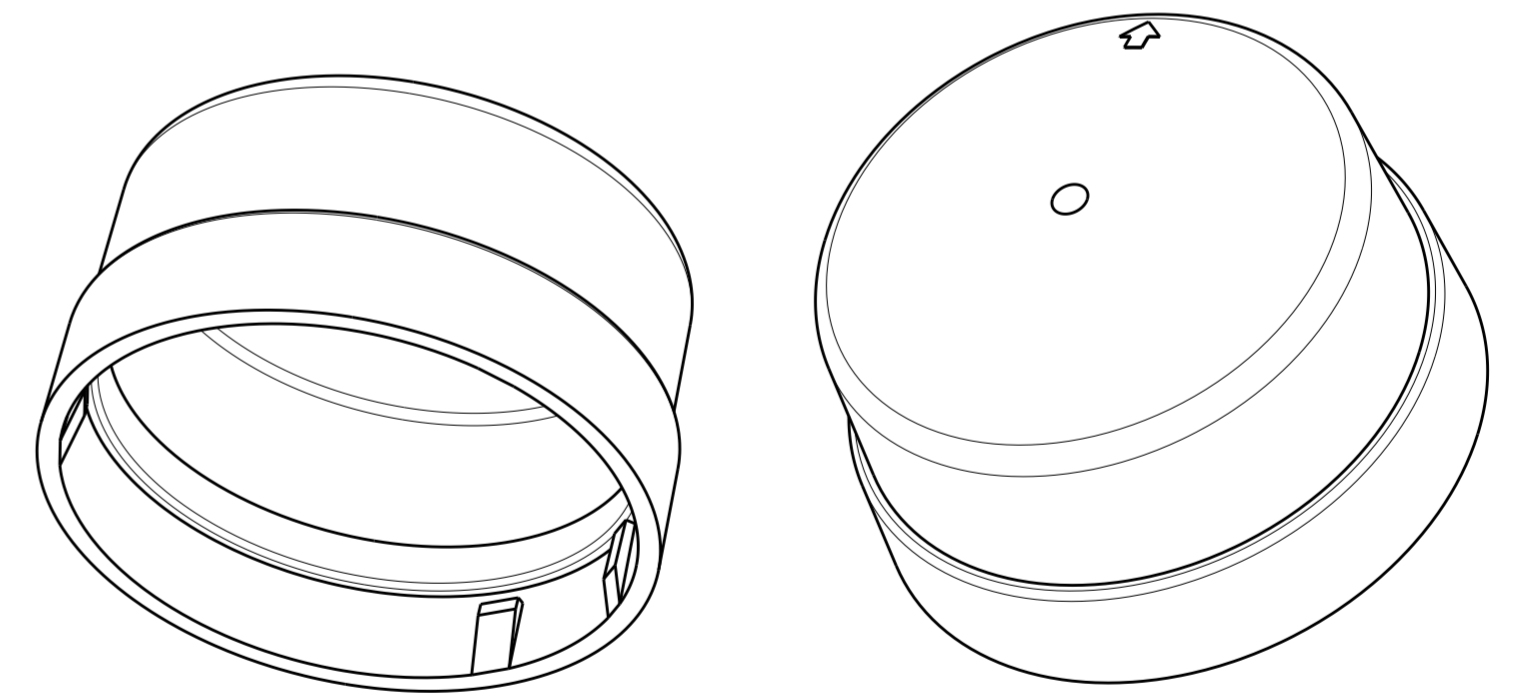
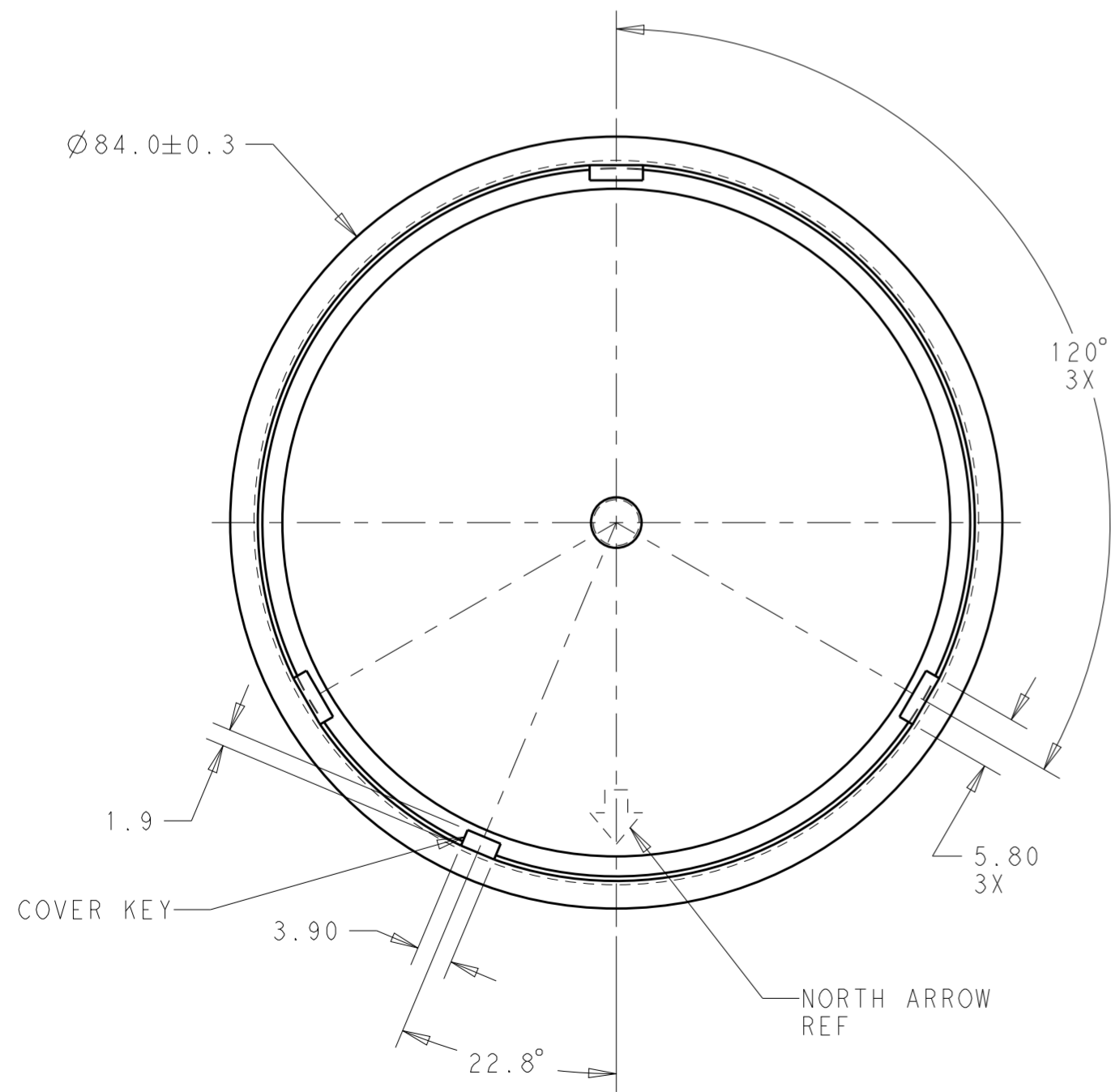
REVISIONS				
P	LTR	DESCRIPTION	DATE	APVD
	A	REVISED PER ECO-17-010638	21 JUL 2017	RK DD

NOTES:

- 1 MATERIALS:  
HOUSING: POLYCARBONATE, UV 5VA RATED  
COLOR: SEE TABLE
- 2 MATING BASE TE P/N: 2213730-X
- 3. THIS PRODUCT HAS NOT COMPLETED VALIDATION TESTING.



SECTION A-A



78%	TRANSLUCENT CLEAR	1-2306128-1
24%	TRANSLUCENT SMOKE GRAY	2306128-1
APPROX LIGHT TRANSMISSION COLOR		PART NO.

THIS DRAWING IS A CONTROLLED DOCUMENT.		DWN J. SHAFFER 07 JUL 2016	<b>STE</b> TE Connectivity		
		CHK E. HOWARD 07 JUL 2016			
DIMENSIONS: mm		TOLERANCES UNLESS OTHERWISE SPECIFIED:	NAME COVER, LIGHT CONTROLLER, SHORT, 76 DIA		
0 PLC ±		1 PLC ±0.3	PRODUCT SPEC 108-32125		
2 PLC ±0.25		3 PLC ±	APPLICATION SPEC 114-32159		
4 PLC ±		ANGLES ±3°	SIZE A2		
MATERIAL -		FINISH -	DRAWING NO C-2306128		
			RESTRICTED TO -		
			SCALE 1:1 SHEET 1 OF 1 REV A		