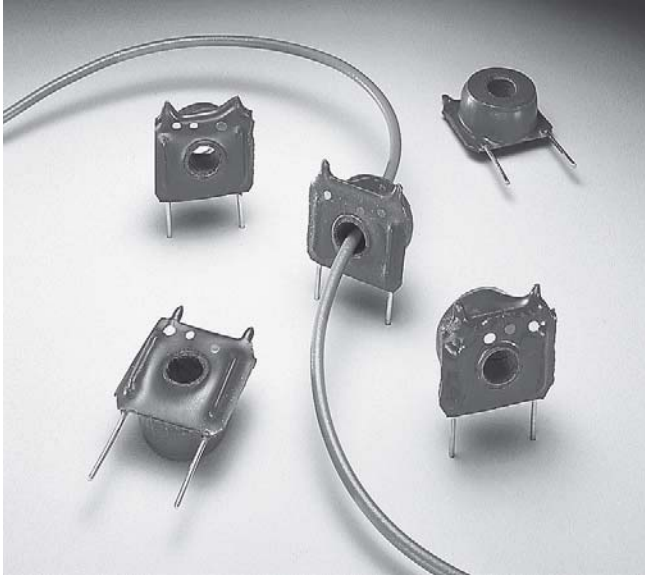




# 50/60Hz Current Sensor – CS60-010



This Coilcraft current sensor is intended for measuring current from 1 to 10 amps rms. The sensor functions as the encapsulated secondary of a current transformer, while the conductor carrying the current to be measured serves as the “one turn primary.” Sensitivity may be enhanced by increasing primary turns.

Minimum wall thickness of the hole is 0.5 mm to meet IEC 380 and other requirements when used with an insulated conductor.

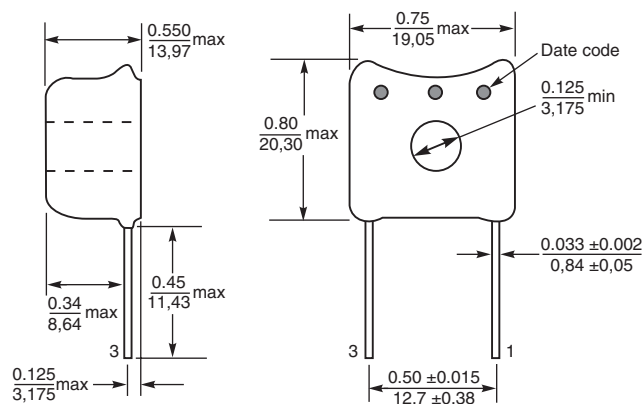
Applications include sensing branch circuit overload and detecting load drop or shutdown.

Coilcraft **Designer’s Kit P403** contains two samples of this sensor and 15 samples of nine different high frequency current sensors. To order, contact Coilcraft or visit <http://order.coilcraft.com>.

Part number	Sensed current $I_{rms}$	$V_{out}$ tolerance
CS60-010L	1–10 A rms	±10%

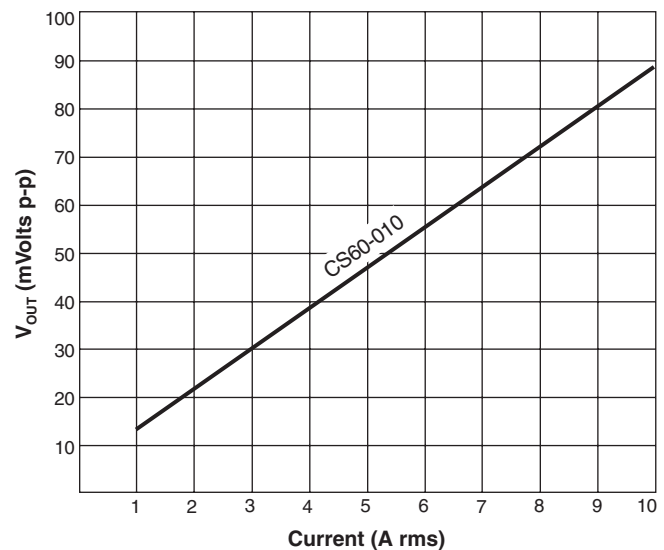
(For sensed current above 10 Arms, see CS60 data sheet)

1. Operating temperature range  $-40^{\circ}\text{C}$  to  $+85^{\circ}\text{C}$ .
2. Electrical specifications at  $25^{\circ}\text{C}$ .

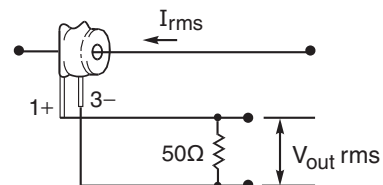


**Weight:** 5.8 g  
**Terminations:** Tin-silver over copper

## Typical Response



## Typical Application



**Coilcraft**®

Specifications subject to change without notice.  
 Please check our website for latest information.

Document 133 Revised 02/01/05

1102 Silver Lake Road Cary, Illinois 60013 Phone 847/639-6400 Fax 847/639-1469

E-mail [info@coilcraft.com](mailto:info@coilcraft.com) Web <http://www.coilcraft.com>