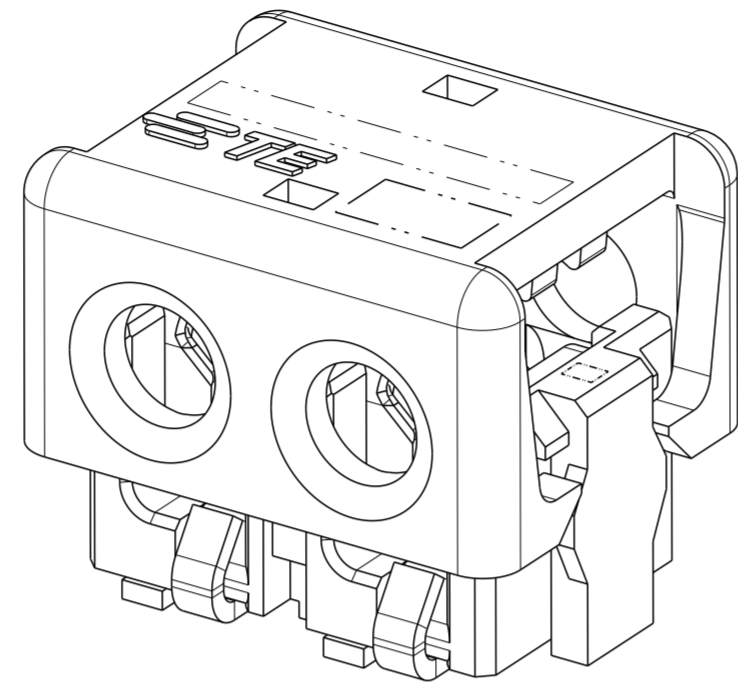
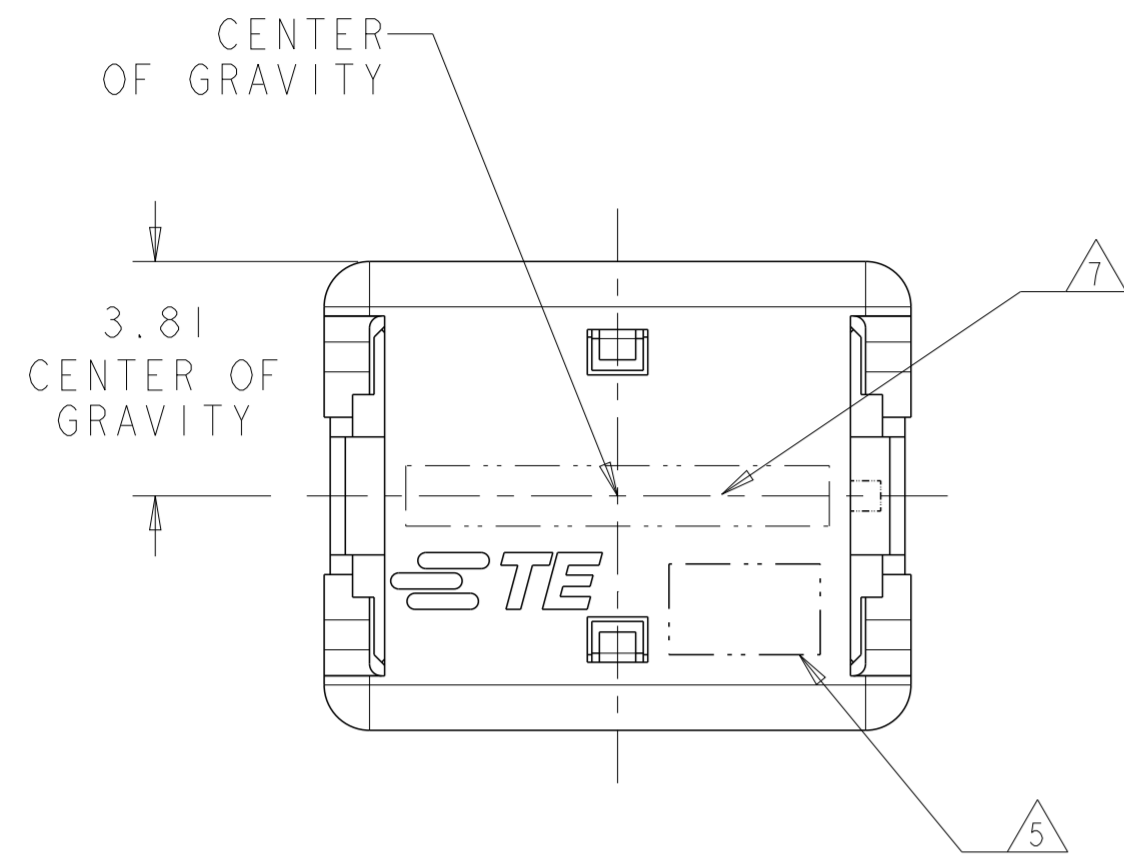


THIS DRAWING IS UNPUBLISHED. RELEASED FOR PUBLICATION 20
 © COPYRIGHT 20 BY - ALL RIGHTS RESERVED.

LOC	DIST	REVISIONS					
CM	00	P	LTR	DESCRIPTION	DATE	DWN	APVD
		A1		REVISED PER ECR-12-003555	19APR2012	RS	DD
		A2		REVISED PER ECR-12-016877	20OCT2012	RS	DD
		B		REVISED PER ECR-15-004054	28JUL2015	RS	DD
		C		REVISED PER ECR-15-017995	18DEC2015	RS	DD



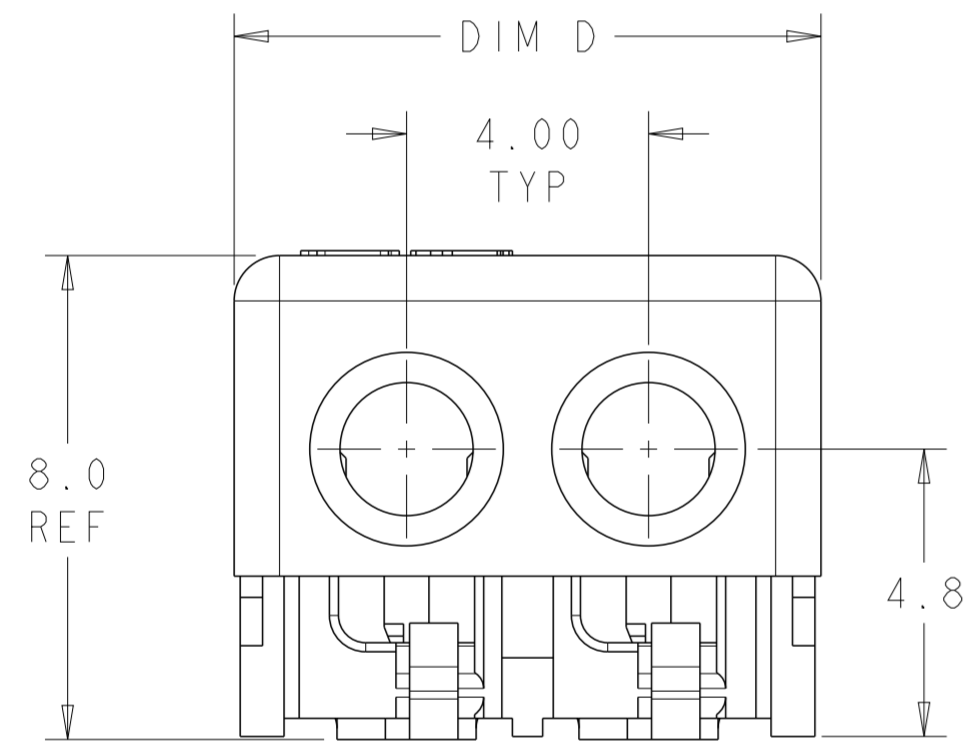
- 1. MATERIALS AND FINISH:
 - HOUSING: LCP, COLOR: NATURAL
 - CONTACTS: COPPER ALLOY, FINISH: Sn OVER Ni

2. COMPLY WITH DIRECTIVE 2002/95/EC (ROHS).

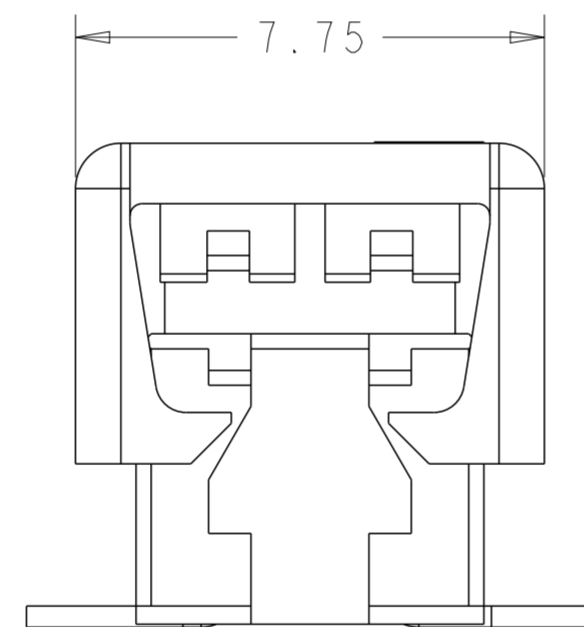
- 3. 18-24AWG SOLID OR STRANDED WIRE. PLEASE REFER TO APPLICATION SPEC 114-13266 FOR RECOMMENDED STRAND COUNT.
 - 18AWG MAX INSULATION OD: 2.20
 - 20AWG MAX INSULATION OD: 1.90
 - 22AWG MAX INSULATION OD: 1.70
 - 24AWG MAX INSULATION OD: 1.45

4. PACKAGE IN TAPE AND REEL PER EIA-481 SPECIFICATION, EXCEPT 1 POSITION CONNECTOR.

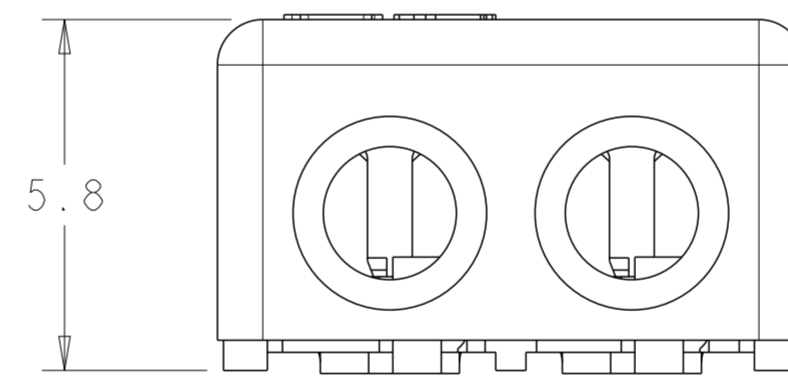
- 5. WIRE SIZE MARKING IN APPROXIMATE LOCATION SHOWN.
- 6. DATUMS AND BASIC DIMENSIONS ESTABLISHED BY CUSTOMER.
- 7. COLOR CODE MARKING, STRAIGHT LINE.
- 8. 1 POSITION ASSEMBLY DOES NOT COMPLY WITH EIA 481 SPECIFICATION.



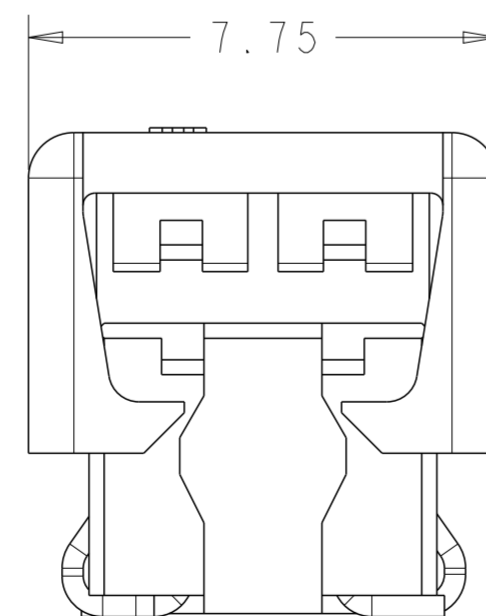
2 POSITION SHOWN AS SHIPPED



FOR 1 POSITION ONLY



2 POSITION SHOWN CLOSED SCALE 8:1



FOR 2, 3 AND 4 POSITIONS

RED	17.70	24 AWG	4	3-2106431-4
	13.70	24 AWG	3	3-2106431-3
	9.70	24 AWG	2	3-2106431-2
	5.70	24 AWG	1	8 3-2106431-1
GREEN	17.70	22 AWG	4	2-2106431-4
	13.70	22 AWG	3	2-2106431-3
	9.70	22 AWG	2	2-2106431-2
	5.70	22 AWG	1	8 2-2106431-1
BLUE	17.70	20 AWG	4	1-2106431-4
	13.70	20 AWG	3	1-2106431-3
	9.70	20 AWG	2	1-2106431-2
	5.70	20 AWG	1	8 1-2106431-1
YELLOW	17.70	18 AWG	4	2106431-4
	13.70	18 AWG	3	2106431-3
	9.70	18 AWG	2	2106431-2
	5.70	18 AWG	1	8 2106431-1
COLOR CODE	DIM D	WIRE SIZE	POSN	PART NUMBER

THIS DRAWING IS A CONTROLLED DOCUMENT. DWN C DAILY 09DEC2008
 CHK J DYER 09DEC2008

STE TE Connectivity

ASSEMBLY, IDC SSL CONNECTOR, SMT, PASS THRU

DIMENSIONS: mm	TOLERANCES UNLESS OTHERWISE SPECIFIED:	PRODUCT SPEC 108-2404	SIZE A2	CAGE CODE 00779	DRAWING NO C-2106431	RESTRICTED TO
0 PLC ±	1 PLC ±0.5	APPLICATION SPEC 114-13266	WEIGHT -	SCALE 8:1	SHEET 1 OF 3	REV C
2 PLC ±0.13	3 PLC ±	MATERIAL	Customer Drawing			
4 PLC ±	ANGLES ±	FINISH				

THIS DRAWING IS UNPUBLISHED. RELEASED FOR PUBLICATION 20
 © COPYRIGHT 20 BY - ALL RIGHTS RESERVED.

LOC		DIST		REVISIONS				
P	LTR	DESCRIPTION			DATE	DWN	APVD	
-	-	SEE SHEET 1			-	-	-	



1 POSITION
RECOMMENDED PAD LAYOUT
SCALE 8:1



3 POSITION
RECOMMENDED PAD LAYOUT
SCALE 8:1



2 POSITION
RECOMMENDED PAD LAYOUT
SCALE 8:1



4 POSITION
RECOMMENDED PAD LAYOUT
SCALE 8:1

THIS DRAWING IS A CONTROLLED DOCUMENT.		DWN C DAILY	09DEC2008	STE TE Connectivity															
		CHK J DYER	09DEC2008																
DIMENSIONS: mm		TOLERANCES UNLESS OTHERWISE SPECIFIED:		NAME ASSEMBLY, IDC SSL CONNECTOR, SMT, PASS THRU															
<table border="0"> <tr><td>0 PLC</td><td>±</td></tr> <tr><td>1 PLC</td><td>±0.5</td></tr> <tr><td>2 PLC</td><td>±0.13</td></tr> <tr><td>3 PLC</td><td>±</td></tr> <tr><td>4 PLC</td><td>±</td></tr> <tr><td>ANGLES</td><td>±</td></tr> <tr><td>FINISH</td><td>±</td></tr> </table>		0 PLC	±	1 PLC	±0.5	2 PLC	±0.13	3 PLC	±	4 PLC	±	ANGLES	±	FINISH	±	APVD -		PRODUCT SPEC 108-2404	
0 PLC	±																		
1 PLC	±0.5																		
2 PLC	±0.13																		
3 PLC	±																		
4 PLC	±																		
ANGLES	±																		
FINISH	±																		
MATERIAL material_2		FINISH finish_spec_2		APPLICATION SPEC 114-13266															
		WEIGHT -		SIZE A200779															
		Customer Drawing		DRAWING NO C-2106431															
		SCALE 8:1		RESTRICTED TO -															
		SHEET 1 OF 3		REV C															


THIS DRAWING IS UNPUBLISHED. RELEASED FOR PUBLICATION 20
 © COPYRIGHT 20 BY - ALL RIGHTS RESERVED.

LOC	DIST	REVISIONS				
P	LTR	DESCRIPTION	DATE	DWN	APVD	
-	-	SEE SHEET 1	-	-	-	



SECTION X-X

2106431-2 SHOWN IN POCKET TAPE

THIS DRAWING IS A CONTROLLED DOCUMENT.		DWN C DAILY 09DEC2008	 TE Connectivity	
		CHK J DYER 09DEC2008		
DIMENSIONS:	TOLERANCES UNLESS OTHERWISE SPECIFIED:	APVD -	NAME ASSEMBLY, IDC SSL CONNECTOR, SMT, PASS THRU	
mm	0 PLC ± 1 PLC ±0.5 2 PLC ±0.13 3 PLC ± 4 PLC ±	PRODUCT SPEC 108-2404	SIZE 114-13266	CAGE CODE A200779
MATERIAL	FINISH	APPLICATION SPEC -	DRAWING NO C-2106431	RESTRICTED TO -
material_2	finish_spec_2	WEIGHT -	Customer Drawing	SCALE 8:1 SHEET 1 OF 3 REV C