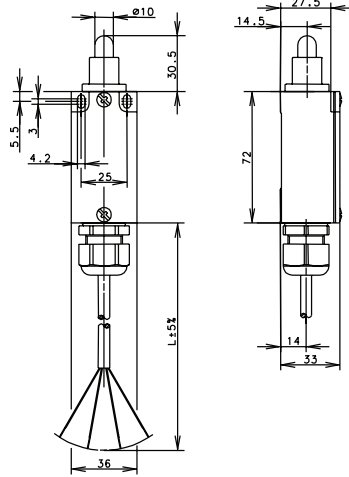
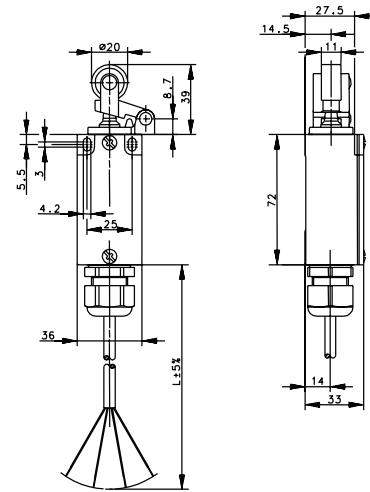


GC Series Limit Switches

GC IW

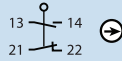


GC HW



6.5' (2 meter) connection cable

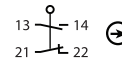
609.2152.002
GC-SU1Z EX IW -2M-



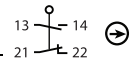
-

16.4' (5 meter) connection cable

609.2152.004
GC-SU1Z EX IW -5M-

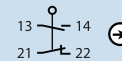


609.2171.024
GC-SU1Z EX HW -5M-

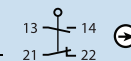


29.5' (9 meter) connection cable

609.2152.005
GC-SU1Z EX IW -9M-



609.2171.025
GC-SU1Z EX HW -9M-



EX Certification

Ex II 2 G EEx d IIC T6

Ex II 2 G EEx d IIC T6

Technical Information

| | | |
|----------------------------|--|--|
| Maximum Switching Voltage | 230V | 230V |
| Maximum Switching Amperage | 5A | 5A |
| B10d | 4 Million | 4 Million |
| Mechanical Service Life | 2 x 10 ⁶ | 2 x 10 ⁶ |
| Switching Frequency | ≤ 50/min | ≤ 50/min |
| Operating Temperature | -20 °C to +65 °C | -20 °C to +65 °C |
| Protection Rating | IP66 / IP67 | IP66 / IP67 |
| Utilization Category | AC 15, 240 V / 3 A; DC 13, 250 V / 0.27 A | AC 15, 240 V / 3 A; DC 13, 250 V / 0.27 A |
| Rate Insulation Voltage | 250VAC | 250VAC |

Drawing dimensions in mm