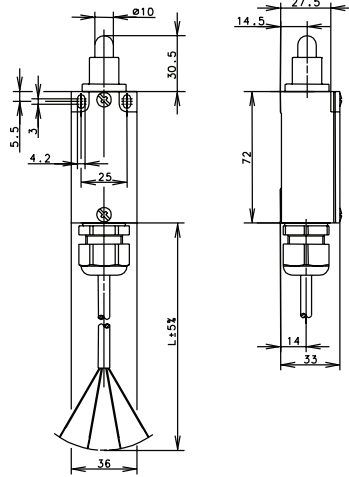
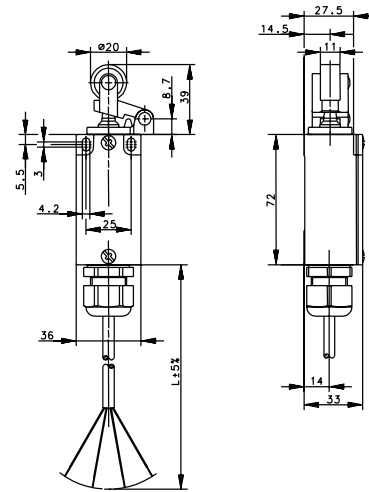


**GC Series Limit Switches**

**GC IW**



**GC HW**



6.5' (2 meter) connection cable

**609.2152.002**  
GC-SU1Z EX IW -2M-

-

16.4' (5 meter) connection cable

**609.2152.004**  
GC-SU1Z EX IW -5M-

**609.2171.024**  
GC-SU1Z EX HW -5M-

29.5' (9 meter) connection cable

**609.2152.005**  
GC-SU1Z EX IW -9M-

**609.2171.025**  
GC-SU1Z EX HW -9M-

**EX Certification**

II 2 G EEx d IIC T6

II 2 G EEx d IIC T6

**Technical Information**

Maximum Switching Voltage	230V	230V
Maximum Switching Amperage	5A	5A
B10d	4 Million	4 Million
Mechanical Service Life	2 x 10 <sup>6</sup>	2 x 10 <sup>6</sup>
Switching Frequency	≤ 50/min	≤ 50/min
Operating Temperature	-20 °C to +65 °C	-20 °C to +65 °C
Protection Rating	IP66 / IP67	IP66 / IP67
Utilization Category	AC 15, 240 V / 3 A; DC 13, 250 V / 0.27 A	AC 15, 240 V / 3 A; DC 13, 250 V / 0.27 A
Rate Insulation Voltage	250VAC	250VAC

*Drawing dimensions in mm*