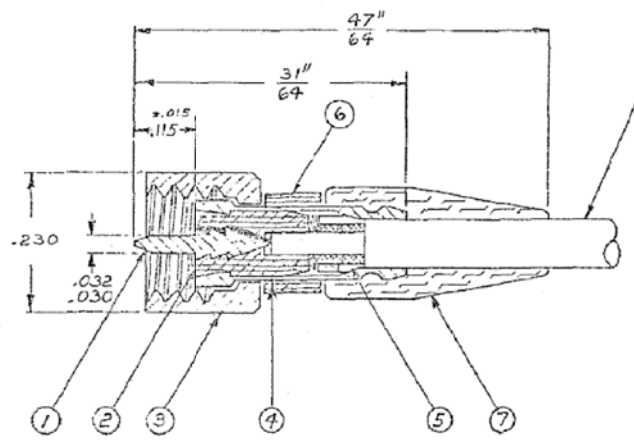


THIS DRAWING IS UNPUBLISHED. RELEASED FOR PUBLICATION  
 © COPYRIGHT BY TYCO ELECTRONICS CORPORATION. ALL RIGHTS RESERVED.

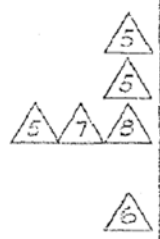
LOC	DIST	REVISIONS			
P	LTR	DESCRIPTION	DATE	OWN	APP'D
L1		DRAWING MAINTENANCE	12-16-05	JDM	MKS

CODE  
CDM 032-0025-0001

**CABLE ACCEPTANCE DIMS.**  
 JACKET D. --- .093 MAX.  
 DIELECTRIC D. --- .050 MAX.  
 CENTER CONDUCT. --- .013 MAX.



COMPONENT NO	NOMENCLATURE	MAT'L & SPEC	ITEM NO.
003-0270-0000	B. R. CAP	SILICONE RUBBER ZZ-R-165	7
003-0597-0001	SLEEVE	TEFLON PER L-P-403	6
005-2319-0001	RING	BRASS PER QQ-B-626	5
003-0326-0001	FERRULE	BRASS PER QQ-B-626	4
003-0029-0001	NUT	BRASS PER QQ-B-626	3
003-0027-0001	BUSHING	TEFLON PER L-P-403	2
003-0359-0002	PIN	BRASS PER QQ-B-626	1



- ⑧ MALE DIAMOND KNURL
  - ⑦ 150-32 UNF-2B THREAD.
  - ⑥ GOLD PLATE .0005 MIN. PER MIL-G-95204 TYPE II, CLASS I
  - ⑤ SILVER PLATE .0002-.0004 PER QQ-S-365
  - ④ DELETED
  - 3. MALCO ASSY TOOL #T-3221 OR 010-0003-0000 REQD.
  - 2. FOR ASSY INSTRUCTIONS SEE RF-ASMB-88.
  - 1. THIS CONNECTOR MATES WITH ALL S-50 JACKS AND RECEPTACLES AS LISTED IN MALCO CATALOG
- NOTES: UNLESS OTHERWISE SPECIFIED

ASSEMBLY	NO. REQ'D	L1	SEE TYCO TITLE BLOCK
1	40891		UPDATE REV LETTER
NEXT ASSEMBLIES	LET	ECO	REVISION DESCRIPTION

STANDARD TOLERANCES UNLESS OTHERWISE SPECIFIED  
 DEC. IN. .010  
 FRACTIONAL .005  
 ANGLES .005

**MICRODOT INC.**  
 SOUTH PASADENA, CALIF.

SURFACE TREATMENT: NOTED  
 MATERIAL: NOTED

APPROVED: G.R.F.  
 CHECKED BY: M.F.M.  
 DRAWN BY: M.F.M.  
 SCALE: 1:1  
 DATE: 7-4-54

PROD CODE: 931  
 CODE: CDM  
 DRAWING NUMBER: 032-0025-0001

**PLUG**

DIMENSIONS:		TOLERANCES UNLESS OTHERWISE SPECIFIED:		OTHER:	
INCHES	FRACT	± 1/32			
	0 PLC	±			
	1 PLC	±			
	2 PLC	±			
	3 PLC	± .010			
	4 PLC	±			
	ANGLES	±			

THIS DRAWING IS A CONTROLLED DOCUMENT.	DRW	DATE	TYCO ELECTRONICS	TYCO ELECTRONICS CORPORATION
	D. MORALES	12-16-05		Harrisburg, PA 17105-3608
	M. STORRY	12-16-05		
	M. STORRY	12-16-05		

NAME	SIZE	CAGE CODE	DRAWING NO	RESTRICTED TO
PLUG, STRAIGHT, S-50 SERIES, MICRODOT P/N 032-0025-0001 TYCO P/N 3-1532004-5	A2	98278	3-1532004-5	

CUSTOMER DRAWING	SCALE	SHEET	REV
	NONE	1 of 1	1.1

3-1532004-5