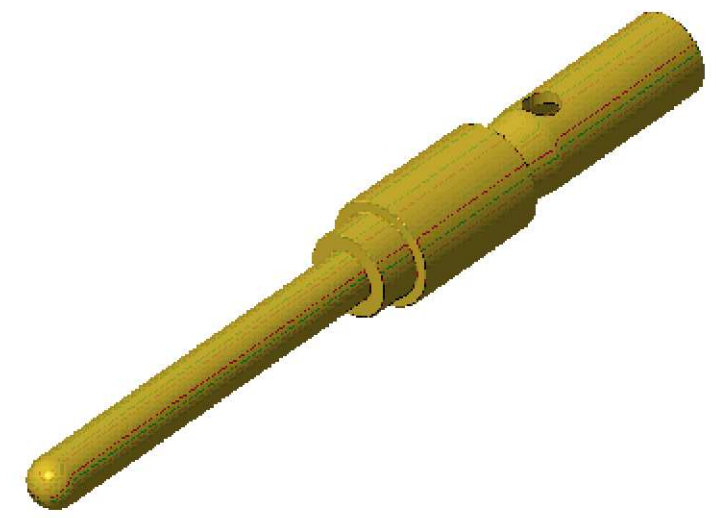
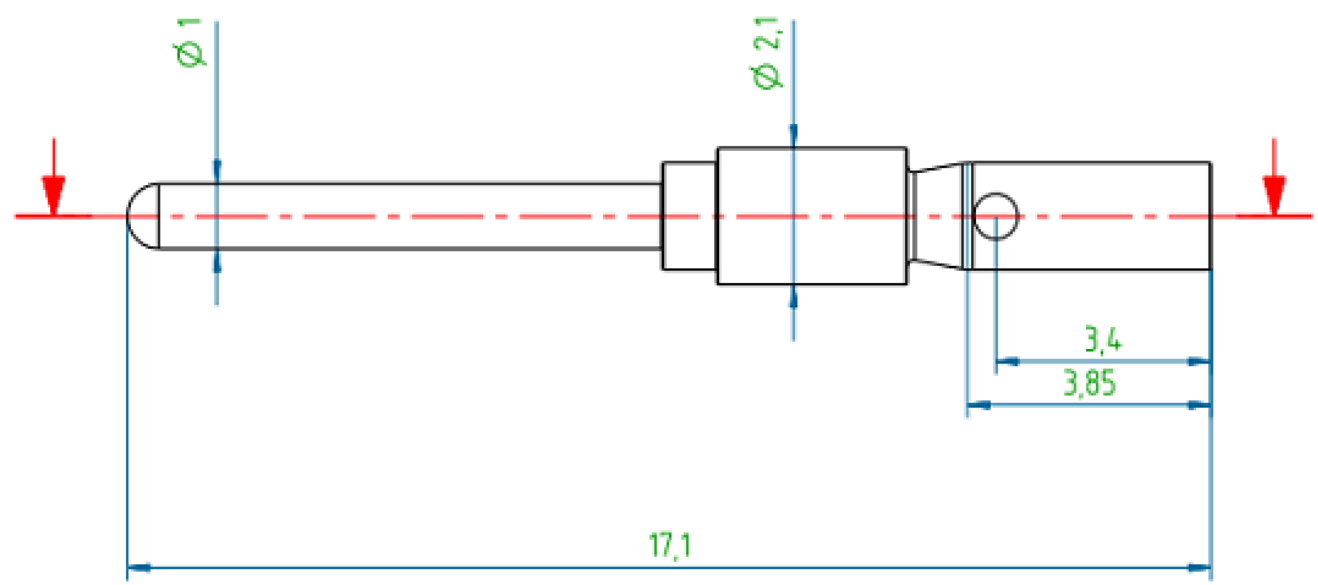


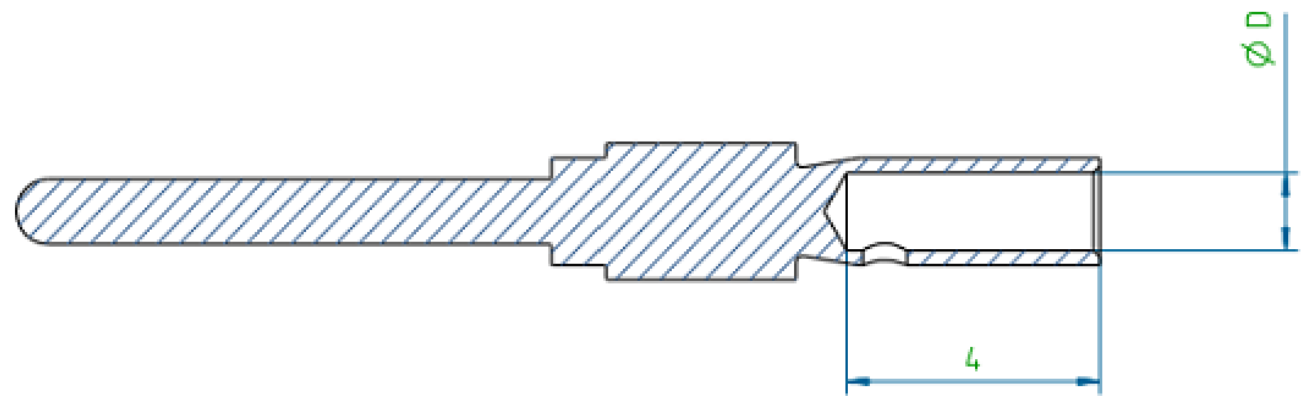
THIS DRAWING IS UNPUBLISHED. RELEASED FOR PUBLICATION SEP ,2017.
 © COPYRIGHT 2017 By TE Connectivity ALL RIGHTS RESERVED.

PROJECT	PRJ-14-000004825
PART NO.	X-2314102-X
DESCRIPTION	M12 CRIMP CONTACT PIN 1mm Au 0.8μ AWG20/AWG22
CUSTOMER	GENERAL MARKET

P	LTR	DESCRIPTION	DATE	DWN	APVD
	A2	REVISED PER ECR-17-013331	11SEP2017	GK	SE



ISO VIEW



NOTES:
 1. APPLICATION TOOLING TO BE USED
 601967-1 (STANDARD) OR
 601966-1 (COMPACT).

SL. NO	PART NO.	PART NAME	ØD	MATERIAL	SURFACE TREATMENT	REMARKS
3	1-2314102-4	M12 CRIMP CONTACT PIN 1mm AWG26 Au 0.8μ	0.6	BRASS	1.5-2.5μm Ni/0.8μm Au	-
2	1-2314102-2	M12 CRIMP CONTACT PIN 1mm AWG22/24 Au 0.8μ	0.9			-
1	1-2314102-1	M12 CRIMP CONTACT PIN 1mm AWG20 Au 0.8μ	1.1			-

THIS DRAWING IS A CONTROLLED DOCUMENT.		DWN KIRAN K 06DEC2016	TE Connectivity NAME M12 CRIMP CONTACT PIN 1mm Au 0.8 MICRON AWG20/AWG22															
DIMENSIONS: mm		CHK KIRAN K 06DEC2016																
TOLERANCES UNLESS OTHERWISE SPECIFIED: DIN ISO 2768 m		APVD S EGBERT 06DEC2016	PRODUCT SPEC 108-156001															
<table border="0"> <tr><td>0 PLC</td><td>± -</td></tr> <tr><td>1 PLC</td><td>± -</td></tr> <tr><td>2 PLC</td><td>± -</td></tr> <tr><td>3 PLC</td><td>± -</td></tr> <tr><td>4 PLC</td><td>± -</td></tr> <tr><td>ANGLES</td><td>± -</td></tr> </table>		0 PLC	± -	1 PLC	± -	2 PLC	± -	3 PLC	± -	4 PLC	± -	ANGLES	± -	APPLICATION SPEC 114-156002	SIZE A3	CAGE CODE 00779	DRAWING NO C-2314102	RESTRICTED TO -
0 PLC	± -																	
1 PLC	± -																	
2 PLC	± -																	
3 PLC	± -																	
4 PLC	± -																	
ANGLES	± -																	
MATERIAL -		FINISH -	WEIGHT		SCALE NTS	SHEET 1 OF 1	REV A2											
CUSTOMER DRAWING																		