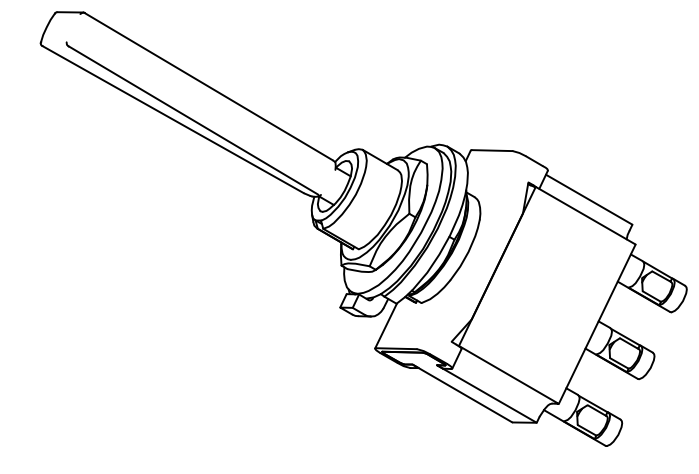
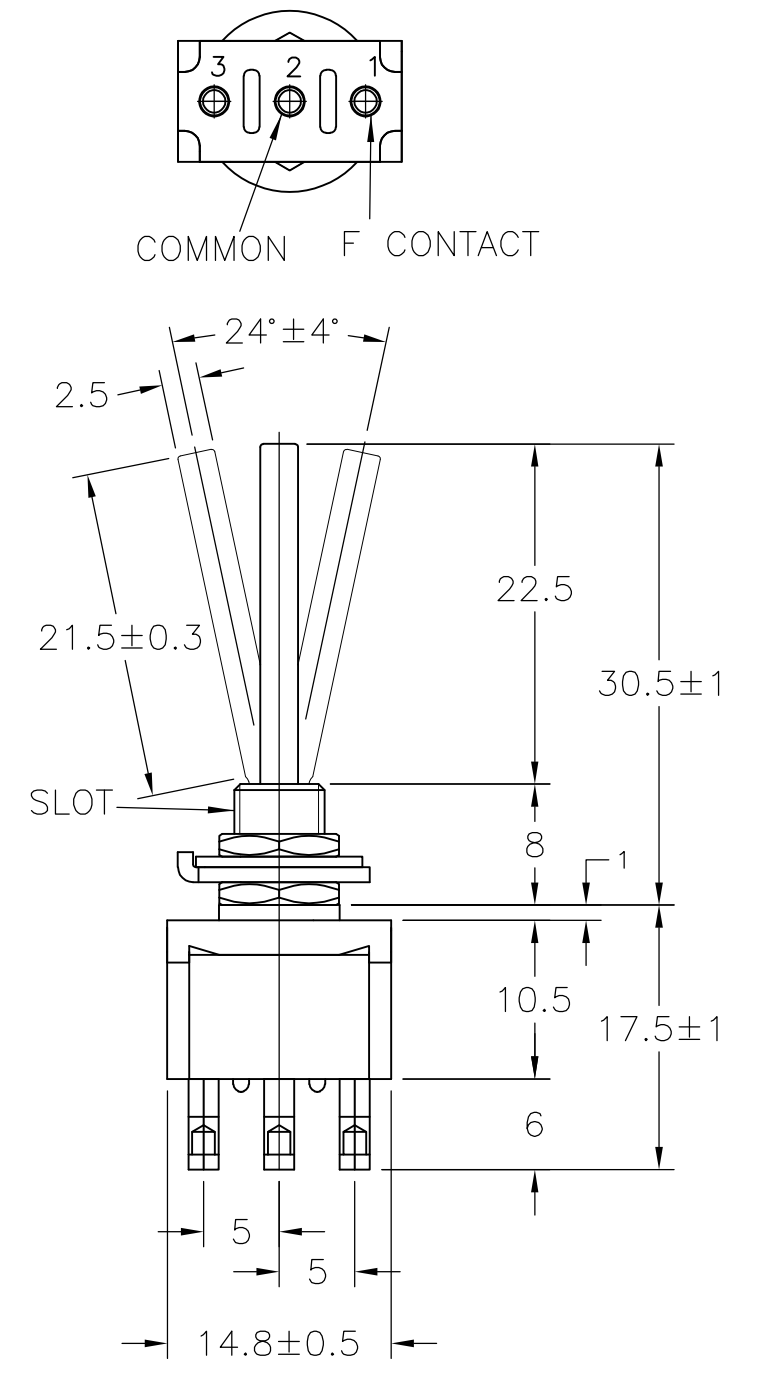
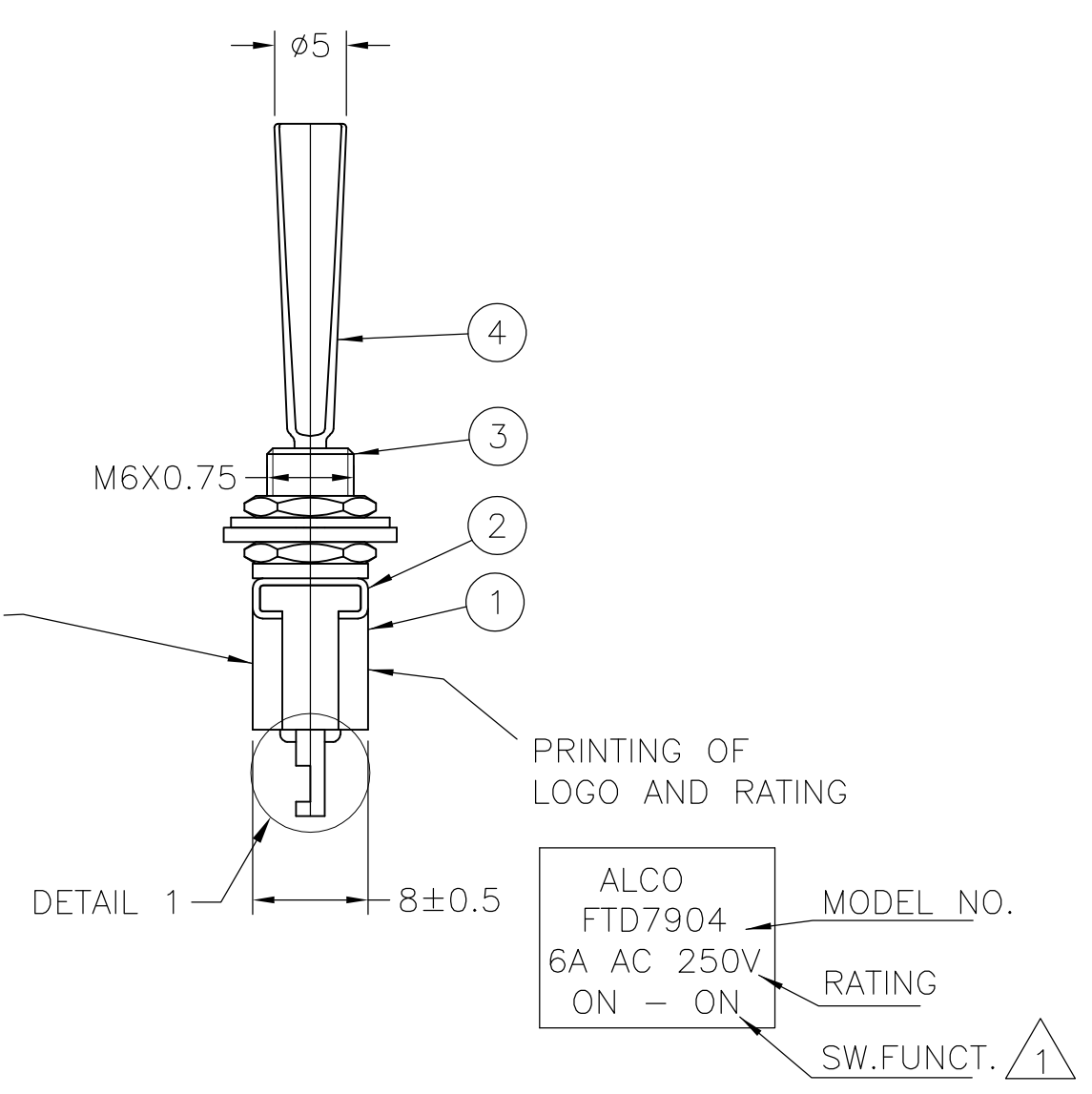


DATE CODE PRINTING LAST DIGIT OF YEAR
 A-L = JANUARY TO DECEMBER DAY



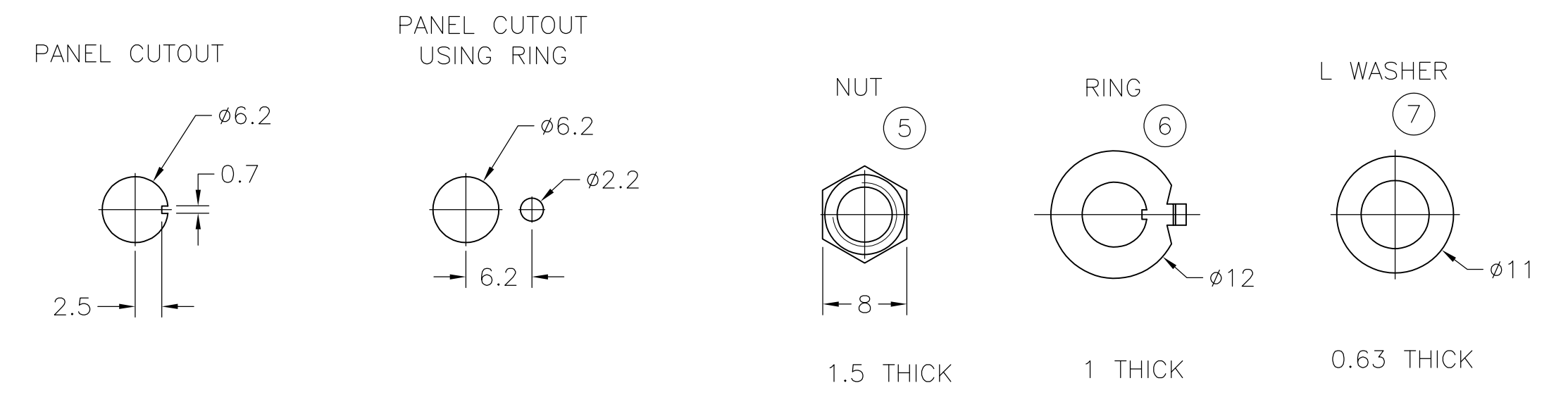
FUNCTION CHART

TE PN	PART	TERMINALS 2 AND 3	TERMINALS 1 AND 2	
5-6437630-3	FTD7904	ON	NONE	ON
5-6437630-4	FTD79G04	ON	NONE	ON
5-6437630-8	FTE79G04	ON	OFF	ON

(ON): MOMENTARY ACTION
 OFF: MECHANICAL POSITION WITHOUT ELECTRICAL CONNECTION
 NONE: NO MECHANICAL POSITION

TE PN	PART	TERMINALS 2 AND 3	TERMINALS 1 AND 2
5-6437630-3	FTD7904	ON	NONE
5-6437630-4	FTD79G04	ON	NONE
5-6437630-8	FTE79G04	ON	OFF

- 1 0.5VA NO SWITCH FUNCTION WILL BE MARKED BUT WILL BE MARKED GOLD CON.
- 2 OPERATING TEMPERATURE -20~C TO +70~C
- 3 ALL MATERIALS AND FINISHES COMPLY WITH ROHS DIRECTIVE



MATERIALS CHART

Ep-Fe/Cu2,Ni4b	SK-5	L WASHER	7
Ep-Fe/Cu2,Ni3b	SPCC	RING	6
Ep-Cu/Ni3b	C3602BD	NUT	5
Ep-Cu/Ni3,Cr1b	C3602BD	ACTUATOR	4
Ep-Cu/Ni3b	C3602BD	BUSHING	3
	SUS	FRAME	2
	POLYESTER RESIN	CASE	1
OPTIONAL DESCRIPTION	MATERIAL/SURFACE	PART NAME	PART NO

PART LIST

5-6437630-4 5-6437630-8	FTD79G04 FTE79G04	C3602BD Ep-Cu/Ni3,Au1b	C3602BD Ep-Cu/Ni3,Au1b	20V AC/DC 0.4VA MAX	MAX 10 MILLIOHMS AT DC 2 ~ 4V 0.1A	MIN 1000 M Ohms AT DC 500V	AC 1KV/1min (AC 1.2KV/1sec)	ELECTRICALLY 50,000 CYCLES AT 20 CYCLES/MIN (RATED LOAD RESISTIVE) MECHANICALLY 100,000 CYCLES AT 20 CYCLES/MIN
5-6437630-3	FTD7904	99.8% Silver + C3602BD Ep-Cu/Ni3,AuFb	C3602BD Ep-Cu/Ni3,AuFb	AC 125V 6A AC 250V 6A	MAX 10 MILLIOHMS AT DC 2 ~ 4V 1A			
TE PN	PART	F CONTACT	COMMON	RATING	INITIAL CONTACT RESISTANCE	INSULATION RESISTANCE	DIELECTRIC STRENGTH	ENDURANCE
CONTACT MATERIAL			SPECIFICATIONS					

THIS DRAWING IS A CONTROLLED DOCUMENT.		DWG: RAGHAVENDRA CHK: MICHAEL WILBOURN APP'D: MICHAEL WILBOURN	02AUG10	Tyco Electronics Corporation Harrisburg, PA 17105-3608	
DIMENSIONS: mm		TOLERANCES UNLESS OTHERWISE SPECIFIED:		NAME: Toggle Switch Single Pole SP LONG LEVER	
0 PLC ± -		1 PLC ± -		SIZE: A1	
1 PLC ± -		2 PLC ± -		CAGE CODE: 00779	
2 PLC ± -		3 PLC ± -		DRAWING NO: 1968514	
3 PLC ± -		4 PLC ± -		RESTRICTED TO: -	
4 PLC ± -		ANGLES ± -		SCALE: 1:1	
MATERIAL: -		FINISH: -		SHEET: 1 OF 1	
		WEIGHT: -		REV: A1	
		CUSTOMER DRAWING			