

| REVISIONS | | | | |
|-----------|------|------------------------|----------|----------|
| ZONE | REV. | DESCRIPTION | DATE | APPROVED |
| ALL | A | TABLE REDRAWN ECO 3290 | 12/10/86 | |
| | B | REMOVED UNUSED P/N# | 02/10/09 | |
| | C | ADDED TS209N | 03/04/11 | |
| | D | ADDED TS-425 | 09/13/12 | |

DETAIL 1



DETAIL 2



DETAIL 3



| PART NO. | "A" DIM. | DETAIL NO. |
|----------|-------------------|------------|
| TS81 | 8.120 | 2 |
| TS169 | 16.850 | 2 |
| TS209 | 20.850 | 2 |
| TS300 | 30.00 +1.50/-0.00 | 1 |
| TS600 | 60.00 +1.50/-0.00 | 1 |
| TS169-3 | 16.850 | 3 |
| TS209N | 20.850 | 1 |
| TS180 | 18.000 | 1 |
| TS190 | 19.000 | 2 |
| TS195 | 19.500 | 2 |
| TS195-0 | 19.500 | 1 |
| TS170 | 17.000 | 2 |
| TS-425 | 4.125 | 2 |

- 5. DEGREASE
- 4. STRAIGHT WITHIN .015/10" IN LENGTH
- 3. CUT ENDS TO BE SQUARE WITHIN .0025/INCH IN WIDTH
- 2. REMOVE ALL BURRS
- 1. MAT'L: AL. EXTRUSION, 6063-T6, PRE-ANOD., P/N TS100

NOTES: UNLESS OTHERWISE SPECIFIED.

PROPRIETARY AND CONFIDENTIAL
 THE INFORMATION CONTAINED IN THIS DRAWING IS THE SOLE PROPERTY OF VECTOR ELECTRONICS & TECH., INC. ANY REPRODUCTION IN PART OR AS A WHOLE WITHOUT THE WRITTEN PERMISSION OF VECTOR ELECTRONICS & TECH., INC. IS PROHIBITED.

UNLESS OTHERWISE SPECIFIED:
 DIMENSIONS ARE IN INCHES
 TOLERANCES:
 FRACTIONAL ±
 ANGULAR: ±1°
 TWO PLACE DECIMAL ±.03
 THREE PLACE DECIMAL ±.010
 INTERPRET GEOMETRIC TOLERANCING PER:
 MATERIAL **1**
 FINISH
 DO NOT SCALE DRAWING

| | NAME | DATE |
|-----------|---------|----------|
| DRAWN | TRUSHAR | 02/06/09 |
| CHECKED | | |
| ENG APPR. | | |
| MFG APPR. | | |
| Q.A. | | |

THIRD ANGLE PROJECTION

VECTOR 11115 VANOWEN ST., NORTH HOLLYWOOD, CA 91605
 ELECTRONICS & TECHNOLOGY, INC.

T-STRUT W/O INSERTS

| | | |
|---------------|-------------------------|--------------|
| SIZE B | DWG. NO. 5280006 | REV D |
| SCALE: 1:1 | WEIGHT: | SHEET 1 OF 1 |

| INSPECTION REQUIREMENTS | |
|-------------------------|--|
| 1 | CHECK OVERALL LENGTH |
| 2 | CHECK "C" DIMENSION |
| 3 | VERIFY .156 DIA. WILL FIT INTO PUNCHED RADII & .160 DIA. WILL NOT FIT INTO PUNCHED RADII |
| 4 | CHECK "B" DIMENSION |
| 5 | NO CHIPS IN THE BOTTOM OF SLOT |

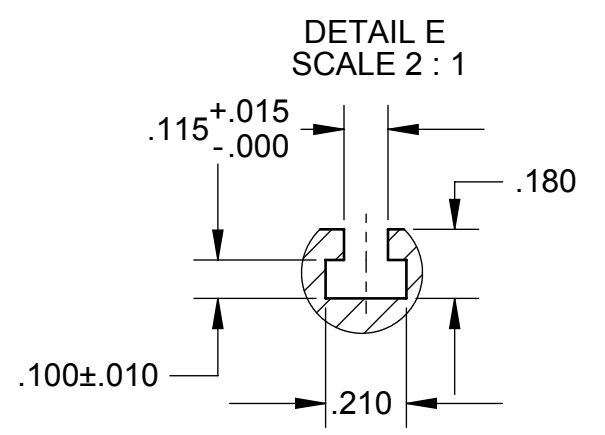
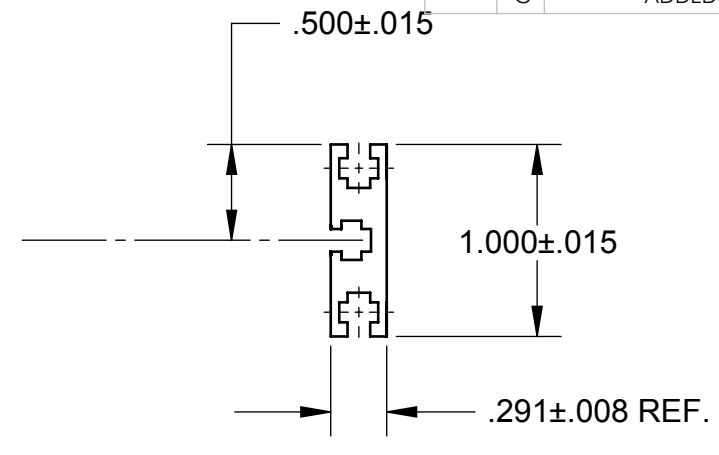
| REVISIONS | | | | |
|-----------|------|--|----------|----------|
| ZONE | REV. | DESCRIPTION | DATE | APPROVED |
| ALL | - | RELEASED FOR PROTOTYPE 100 UNITS OF CCK13S 50 CCM14S & 50 CCK13S | 02/14/80 | |
| | A1 | P/N TS81-5 NO. OF HOLES WAS 30 ACTUAL STOCK PARTS HAVE 31 | 07/31/80 | |
| | B | P/N TS81-5 "B" DIM. WAS 7.500 NO. OF HOLES WERE 31/ ECO2013 | 03/26/81 | |
| | C | MOVED 1.000 DIM. LOCATION CALLOUT FOR CLARITY NO ECO | | |
| | D | ADDED TS81-6 & -7 | | |
| | D | INC ECO 2628 | 12/17/84 | |
| | E | INC ECO 3924 | | |
| | F | REMOVED P/N# TS81-6, -7 TS169-5, TS209-5 | 02/10/09 | |
| | G | ADDED P/N TS169-5/90 | 02/13/13 | |

D

C

B

A



| PART NO. | A | B | C | NO. OF HOLES |
|------------|--------|--------|------|--------------|
| TS81-5/90 | 8.120 | 7.250 | .435 | 30 |
| TS169-6/90 | 16.850 | 15.750 | .675 | 64 |
| TS169-5/90 | 16.850 | 15.750 | .550 | 64 |

- ⑦ TOOLING MARK MAY APPEAR
- ⑥ USE .1565 DIA. PUNCH TO FORM RADIUS EQUAL WITHIN ±.005 FROM \bar{C} OF SLOT
- 5. PART TO BE FREE OF BURRS AND SURFACE SCRATCHES
- ④ NON CUMULATIVE TOLERANCE
- 3. PART TO BE STRAIGHT WITHIN .015/10 INCHES IN LENGTH
- 2. CUT ENDS TO BE SQUARE WITHIN .0025/INCH IN WIDTH
- 1. MAT'L: AL. EXTRUSION, 6063-T6, PRE-ANOD., P/N TS100

NOTES: UNLESS OTHERWISE SPECIFIED.

PROPRIETARY AND CONFIDENTIAL
THE INFORMATION CONTAINED IN THIS DRAWING IS THE SOLE PROPERTY OF VECTOR ELECTRONICS & TECH., INC. ANY REPRODUCTION IN PART OR AS A WHOLE WITHOUT THE WRITTEN PERMISSION OF VECTOR ELECTRONICS & TECH., INC. IS PROHIBITED.

| | | |
|--------------------------------------|------------------------|---------|
| UNLESS OTHERWISE SPECIFIED: | NAME | DATE |
| DIMENSIONS ARE IN INCHES | DRAWN | TRUSHAR |
| TOLERANCES: | CHECKED | |
| FRACTIONAL ± | ENG APPR. | |
| ANGULAR: ± X° | MFG APPR. | |
| TWO PLACE DECIMAL ±.03 | Q.A. | |
| THREE PLACE DECIMAL ±.005 | | |
| INTERPRET GEOMETRIC TOLERANCING PER: | | |
| MATERIAL 1 | THIRD ANGLE PROJECTION | |
| FINISH | | |
| DO NOT SCALE DRAWING | | |

VECTOR 11115 VANOWEN ST., NORTH HOLLYWOOD, CA 91605

T-STRUT FOR SNAP-IN CARD GUIDE

| | | |
|------------|-----------|--------------|
| SIZE | DWG. NO. | REV |
| B | M6336D4.2 | G |
| SCALE: 1:1 | WEIGHT: | SHEET 1 OF 1 |