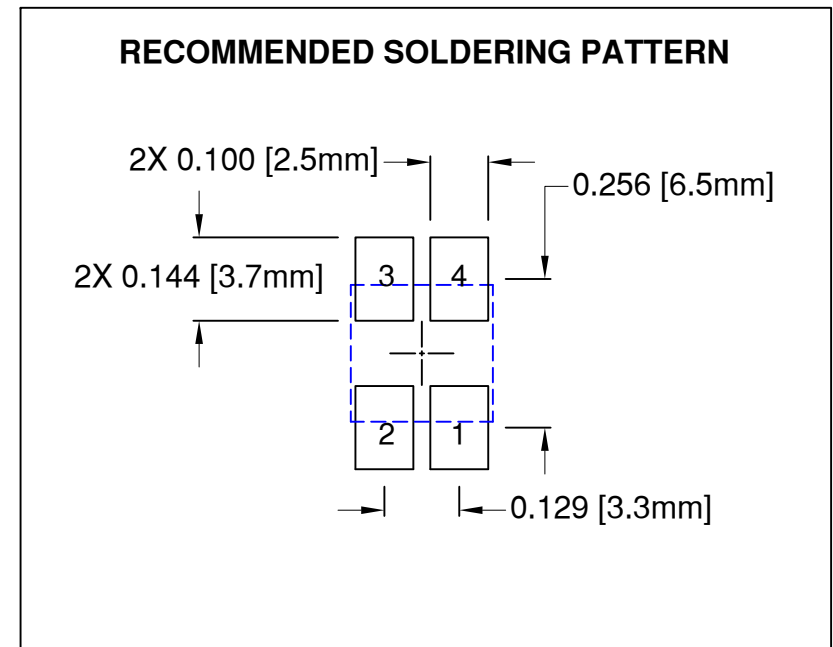
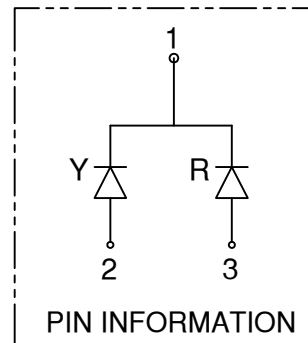
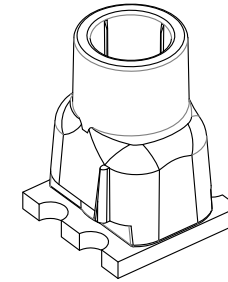
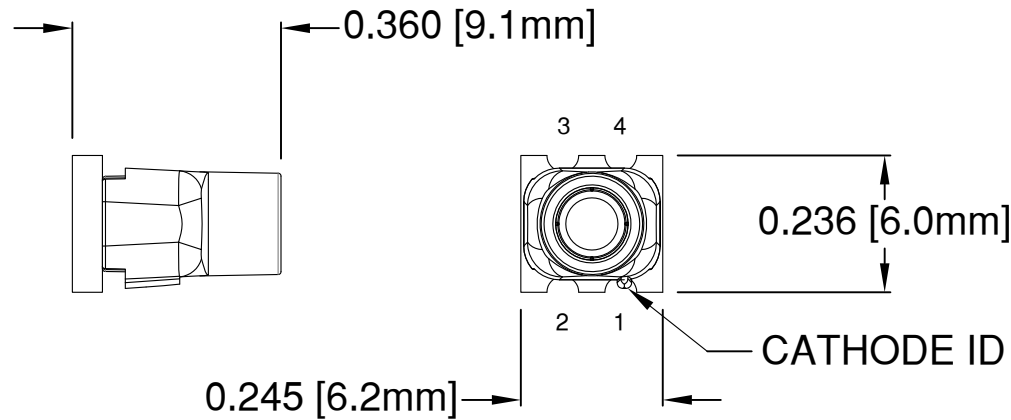


| REV. | DESCRIPTION | DATE | APPROVED |
|------|--|----------|----------|
| B | Engineering Release | 02/27/15 | J. C. |
| C | Revised Side View, See Page 4 | 03/20/15 | J. C. |
| D | Corrected Typo in Recom. Soldering Pattern | 09/12/16 | J. C. |
| | | | |



ABSOLUTE MAXIMUM RATINGS at Ta=25°C

| | |
|-----------------------------|---------------------|
| REVERSE VOLTAGE | 5V |
| REVERSE CURRENT | 100µA |
| OPERATING TEMPERATURE RANGE | -35°C - 85°C |
| STORAGE TEMPERATURE | -35°C - 85°C |
| MAX SOLDERING TEMPERATURE | 260°C FOR 3 SECONDS |

NOTES:


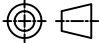
- DERATING OF FORWARD CURRENT PER SEGMENT, 0.30mA/°C at T ≥ 25°C
- ACCEPTS BIVAR FLEXIBLE LIGHT PIPE STYLE FLPS2031

| | | | |
|--|--------------------------|--|-----------------------|
| STANDARD TOLERANCE (UNLESS OTHERWISE SPECIFIED) | | 4 THOMAS, IRVINE, CA. 92618 TEL: (949) 951-8808 FAX: (949) 951-3974 | |
| DECIMALS | ANGULAR | | |
| .X ± .1 | X° ± 1° | | |
| .XX ± .02 | | TITLE: SMT FLP VERTICAL ADAPTER BI-COLOR, RED/YELLOW | |
| .XXX ± .010 | | | |
| DESIGNED: A. Wright | DATE: 03/13/14 | PART NO: SMTV01-RXXYXX | REVISION: D |
| CHECKED: B. Oliver | DATE: 03/13/14 | CAGE CODE : 32559 | SHEET # 1 OF 4 |
| CAD GENERATED DOCUMENT. DO NOT MEASURE DRAWING. | | | |

| REV. | DESCRIPTION | DATE | APPROVED |
|------|--------------|------|----------|
| | SEE SHEET #1 | | |
| | | | |
| | | | |
| | | | |

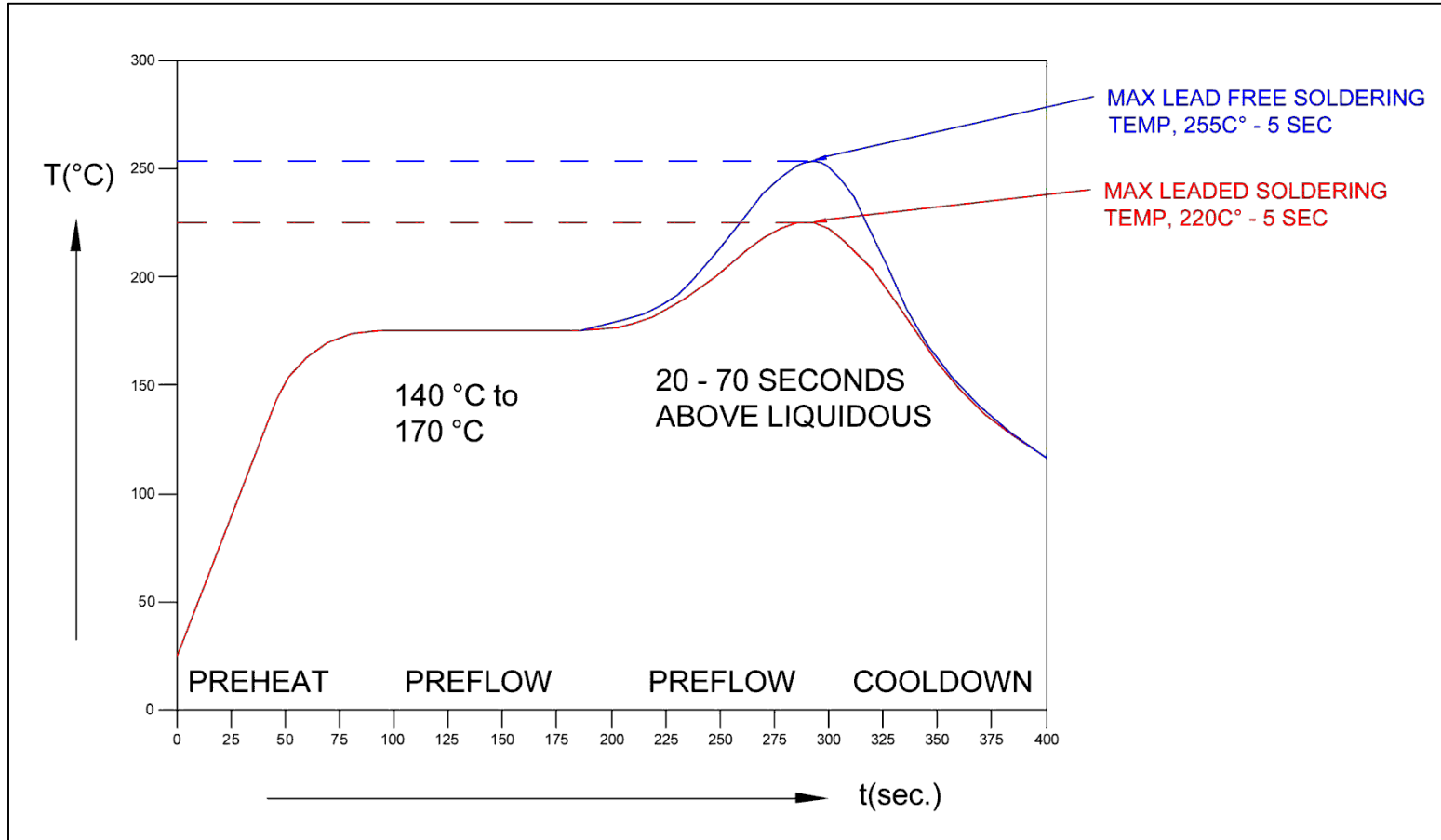
| Part Number | Chip | | | | Absolute Maximum Ratings Per Segment | | | Electro-Optical Data @20mA, 25°C | | | |
|---------------|------------------|------------------|-----|-----|---|---------------|--------------------|-------------------------------------|-----|-----|----------------|
| | Emitted Color | λ_D [nm] | | | P_d [mW] | I_f [mA] | Peak I_f [mA] | V_f [V] | | | I_v [mcd] |
| | | MIN | TYP | MAX | | | | MIN | TYP | MAX | TYP |
| SMTV01-R08Y08 | RED | 625 | 628 | 630 | 60 | 25 | 100 | 1.7 | 2.1 | 2.6 | 78 |
| | YELLOW | 585 | 590 | 595 | 60 | 25 | 100 | 1.8 | 2.1 | 2.6 | 82 |
| SMTV01-R15Y11 | RED | 625 | 628 | 630 | 60 | 25 | 100 | 1.7 | 2.1 | 2.6 | 150 |
| | YELLOW | 585 | 590 | 595 | 60 | 25 | 100 | 1.8 | 2.1 | 2.6 | 110 |
| SMTV01-R16Y14 | RED | 625 | 628 | 630 | 60 | 25 | 100 | 1.7 | 2.1 | 2.6 | 163 |
| | YELLOW | 585 | 590 | 595 | 60 | 25 | 100 | 1.8 | 2.1 | 2.6 | 143 |

Note: 10% Duty Cycle, Pulse Width ≤ 0.1 msec for Peak I_f .

| | | | |
|--|--------------------------|---|--|
| STANDARD TOLERANCE (UNLESS OTHERWISE SPECIFIED) | |  4 THOMAS, IRVINE, CA. 92618 TEL: (949) 951-8808 FAX: (949) 951-3974 | |
| DECIMALS | ANGULAR | | |
| .X $\pm .1$ | X° $\pm 1^\circ$ |  TITLE: SMT FLP VERTICAL ADAPTER BI-COLOR, RED/YELLOW | |
| .XX $\pm .02$ | | | |
| .XXX $\pm .010$ | | PART NO: SMTV01-RXXYXX | |
| DESIGNED: A. Wright | DATE: 03/13/14 | REVISION: D | |
| CHECKED: B. Oliver | DATE: 03/13/14 | CAGE CODE : 32559 SHEET # 2 OF 4 | |
| CAD GENERATED DOCUMENT. DO NOT MEASURE DRAWING. | | | |

| REV. | DESCRIPTION | DATE | APPROVED |
|------|--------------|------|----------|
| | SEE SHEET #1 | | |
| | | | |
| | | | |
| | | | |

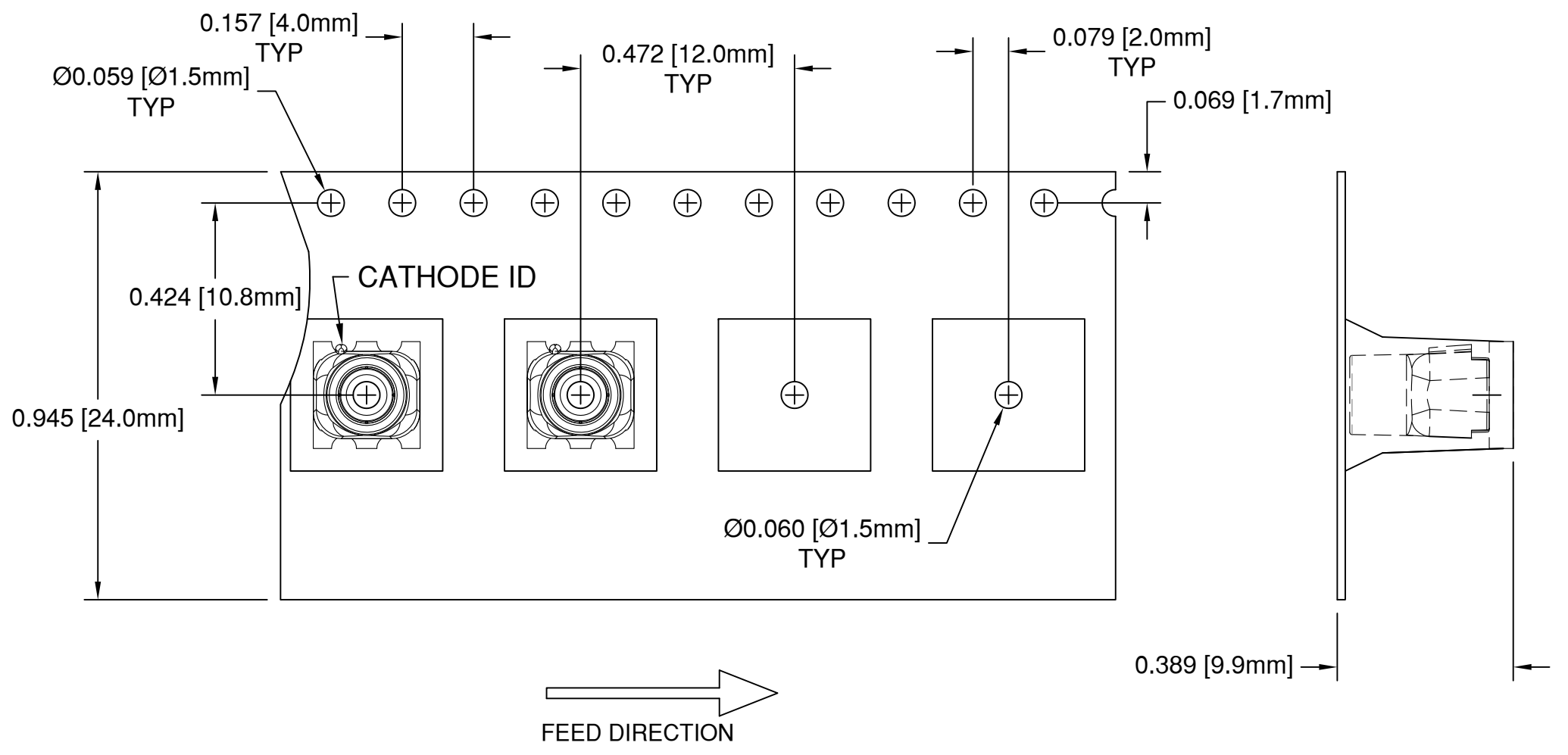
Recommended Reflow Soldering Profile




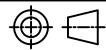
NOTE:
 1. Do not clean after soldering. Only use no-clean solder paste.

| | | | |
|--|--------------------------|---|--|
| STANDARD TOLERANCE (UNLESS OTHERWISE SPECIFIED) | | BIVAR [®] 4 THOMAS, IRVINE, CA. 92618 TEL: (949) 951-8808 FAX: (949) 951-3974 | |
| DECIMALS | ANGULAR | | |
| .X ± .1 | X° ± 1° | TITLE: SMT FLP VERTICAL ADAPTER BI-COLOR, RED/YELLOW | |
| .XX ± .02 | | | |
| .XXX ± .010 | | PART NO: SMTV01-RXXYXX REVISION: D | |
| | | | |
| DESIGNED: A. Wright | DATE: 03/13/14 | CAGE CODE : 32559 SHEET # 3 OF 4 | |
| CHECKED: B. Oliver | DATE: 03/13/14 | | |
| CAD GENERATED DOCUMENT. DO NOT MEASURE DRAWING. | | | |

| REV. | DESCRIPTION | DATE | APPROVED |
|------|--------------|------|----------|
| | SEE SHEET #1 | | |
| | | | |
| | | | |
| | | | |



NOTES:
 3. MOISTURE SENSITIVITY LEVEL: 4
 2. UNLESS OTHERWISE SPECIFIED, PACKAGING TO COMPLY WITH EIA-481-D
 1. 500 pcs PER REEL

| | | | |
|--|--------------------------|---|---|
| STANDARD TOLERANCE (UNLESS OTHERWISE SPECIFIED) | |  4 THOMAS, IRVINE, CA. 92618 TEL: (949) 951-8808 FAX: (949) 951-3974 | |
| DECIMALS | ANGULAR | | |
| .X ± .1 .XX ± .02 .XXX ± .010 | X° ± 1° | | |
| DESIGNED: A. Wright | DATE: 03/13/14 |  TITLE: SMT FLP VERTICAL ADAPTER BI-COLOR, RED/YELLOW | REVISION: D |
| CHECKED: B. Oliver | DATE: 03/13/14 | | PART NO: SMTV01-RXXYXX CAGE CODE : 32559 SHEET # 4 OF 4 |
| CAD GENERATED DOCUMENT. DO NOT MEASURE DRAWING. | | | |