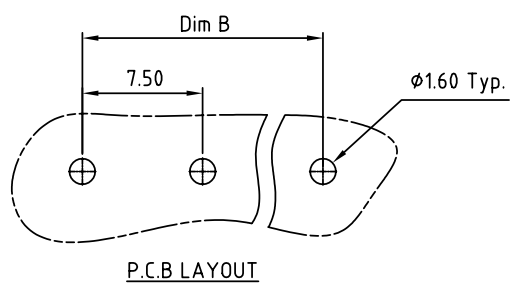
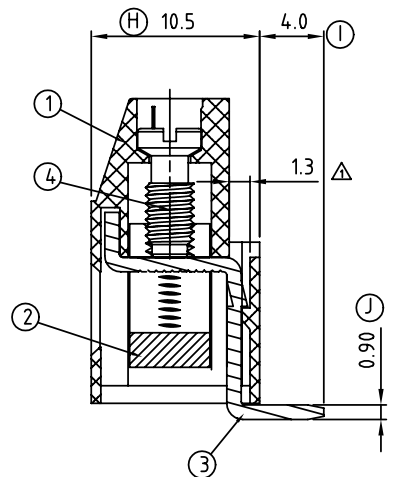
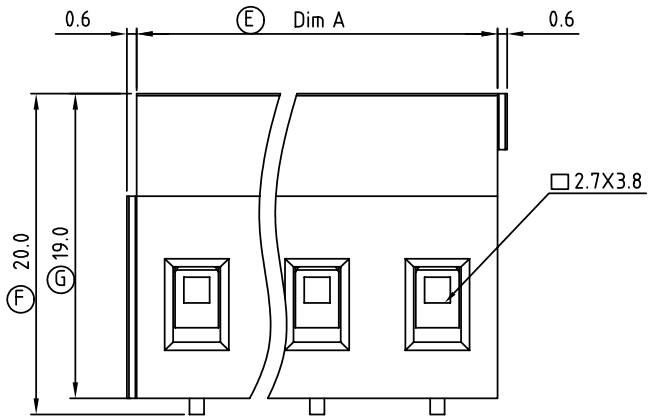


DIMENSION		Poles	Tolerance
Dim A	N×7.5	2p-6p	±0.15
Dim B	(N-1)×7.5	7p-12p	±0.25
		13p-16p	±0.35

N=Number of contacts



SIGN	DATE	DESCRIPTION	APPROVER
△	3/22'06	Hole size changed from 0.5mm to 1.3mm	Tony
△	01/12'07	Soldering temperature changed from 245° to 250°	Tason
△	01/12'07	Part NO is Changed	Tason
△	07/20'09	The shape of digging hole is Changed	Aaron
△	07/20'09	Operating temperature is Changed	Aaron
△	10/26'09	Wire guard solder pin is Changed from Brass to Copper	Aaron
△	11/09'10	Add is " VDE "	Aaron

THIS IS CAD DRAWING, DO NOT REVISE MANUALLY!!!

- Material:
- Item 1 Terminal housing:Thermoplastic (UL 94V-0)
 - Item 2 Clamp: Brass Ni plated
 - △ ● Item 3 Wire guard solder pin:Copper Tin plated
 - Item 4 Terminal screw: Steel Zinc plating"-slot type
- △ Electrical cULus VDE
- Voltage rating: 300VAC 750V
 - Current rating: 20A 24A
 - Wire range : 0.2-2.5mm²
 - Solid wire(AWG): 12-30
 - Stranded wire(AWG): 12-30
 - Torque(Lb-In): 3.5 0.5 N.m
 - Screw: M3
 - Wire strip length: 6-7mm
 - Withstanding Voltage: 1.6KV 3KV
 - △ ● Operating temperature: -40°C to +115°C
 - △ ● Soldering temperature: 250°C±10°C/5 Sec
 - Safety Approval:

△ VJ xx 41 x 0 xxxx G

RoHS Pb<40,000ppm

No. of poles end stackable design	Color (RAL)	Logo
0	Black (RAL9005)	0000:"@"/Logo (Standard)
2	Red (RAL3001/D)	000A:"ANYTEK"/Logo
02	2 CONTACTS	Any special item by customer request, please contact sales department.
03	3 CONTACTS	
...	...	
16	16 CONTACTS	
8	Grey(RAL7035/D)	

ANYTEK				CUSTOMER COPY			
ALL RIGHTS RESERVED. REPRODUCTION OR ISSUE TO THIRD PARTIES IN ANY FORM WHATSOEVER IS NOT PERMITTED WITHOUT WRITTEN AUTHORITY FROM THE PROPRIETOR. PROPERTY OF ANYTEK TECHNOLOGY CO., LTD							
TITLE		VJ-7.5 Series 2P-16P Vertical (90D wire inlet)					
PART NO.		VJxx41x0xxxxG			DWG NO.		8VJ0202
APPROVED		CHECKED	DESIGNED	DRAWN	CUST NO.		Tolerance
			Aaron	Aaron			X. ±0.50
			2010.11.09	2009.10.26			X.X ±0.30
					UNIT: mm		X.XX ±0.10
					SCALE: NONE		X* ±1°
					SHEET: 01/01		
					REV.: H		