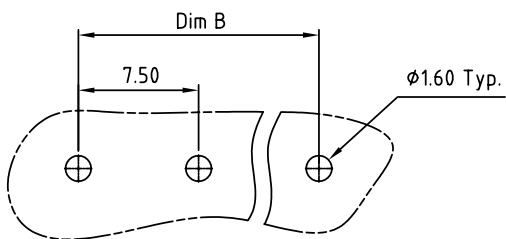
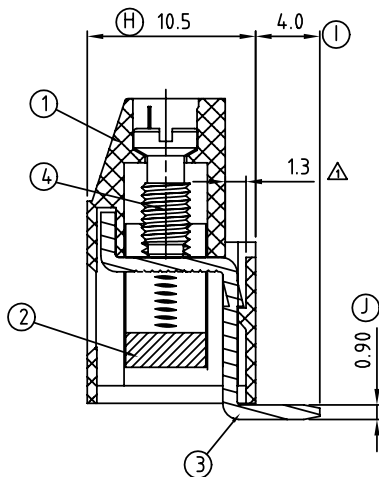
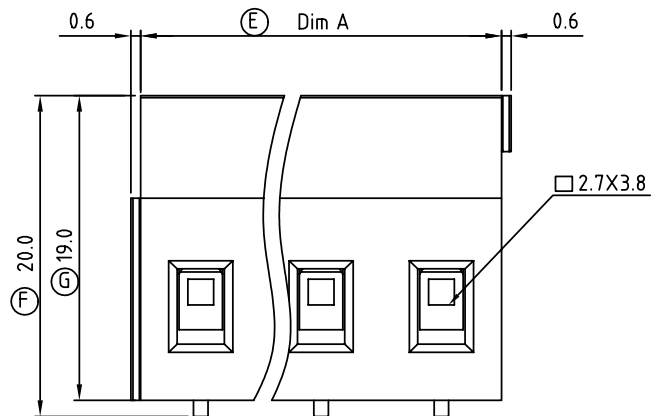


DIMENSION		Poles	Tolerance
Dim A	Nx7.5	2p-6p	±0.15
Dim B	(N-1)x7.5	7p-12p	±0.25
N=Number of contacts		13p-16p	±0.35



P.C.B LAYOUT

SIGN	DATE	DESCRIPTION	APPROVER
△	3/22'06	Hole size changed from 0.5mm to 1.3mm	Tony
△	01/12'07	Soldering temperature changed from 245° to 250°	Tason
△	01/12'07	Part NO is Changed	Tason
△	07/20'09	The shape of digging hole is Changed	Aaron
△	07/20'09	Operating temperature is Changed	Aaron
△	10/26'09	Wire guard solder pin is Changed from Brass to Copper	Aaron
△	11/09'10	Add is " VDE "	Aaron

*THIS IS CAD DRAWING, DO NOT REVISE MANUALLY!!!*

**Material:**

- Item 1 Terminal housing: Thermoplastic (UL 94V-0)
- Item 2 Clamp: Brass Ni plated
- △ ● Item 3 Wire guard solder pin: Copper Tin plated
- Item 4 Terminal screw: Steel Zinc plating"-slot type

- △ Electrical cULus VDE
- Voltage rating: 300VAC 750V
- Current rating: 20A 24A
- Wire range : 0.2-2.5mm<sup>2</sup>
- Solid wire(AWG): 12-30
- Stranded wire(AWG): 12-30
- Torque(Lb-In): 3.5 0.5 N.m
- Screw: M3
- Wire strip length: 6-7mm
- Withstanding Voltage: 1.6KV 3KV
- △ ● Operating temperature: -40°C to +115°C
- △ ● Soldering temperature: 250°C±10°C/5 Sec
- Safety Approval:

△ VJ xx 41 x 0 xxxx G

RoHS  
Pb<40,000ppm

No. of poles end stackable design	0 Black (RAL9005)	0000:"@"/Logo (Standard)
	2 Red (RAL3001/D)	000A:"ANYTEK"/Logo
02 2 CONTACTS	3 Orange(RAL2011/P)	Any special item by customer request,
03 3 CONTACTS	4 Yellow(RAL1018/A)	please contact sales department.
... ..	5 Green(RAL6018/T)	
16 16 CONTACTS	6 Blue (RAL5015/A)	
	8 Grey(RAL7035/D)	

<h1>ANYTEK</h1>		<h2>CUSTOMER COPY</h2>	
ALL RIGHTS RESERVED. REPRODUCTION OR ISSUE TO THIRD PARTIES IN ANY FORM WHATSOEVER IS NOT PERMITTED WITHOUT WRITTEN AUTHORITY FROM THE PROPRIETOR. PROPERTY OF ANYTEK TECHNOLOGY CO., LTD			
TITLE		VJ-7.5 Series 2P-16P Vertical ( 90D wire inlet )	
PART NO.	VJxx41x0xxxxG	DWG NO.	8VJ0202
APPROVED	CHECKED	DESIGNED	DRAWN
		Aaron 2010.11.09	Aaron 2009.10.26
SHEET: 01/01		Tolerance	
		X. ±0.50	
		X.X ±0.30	
		X.XX ±0.10	
		X* ±1°	