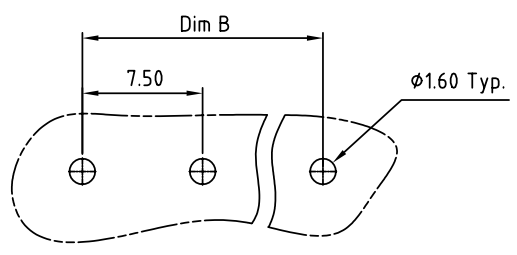
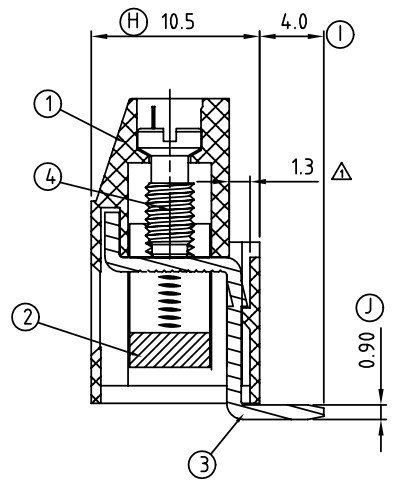
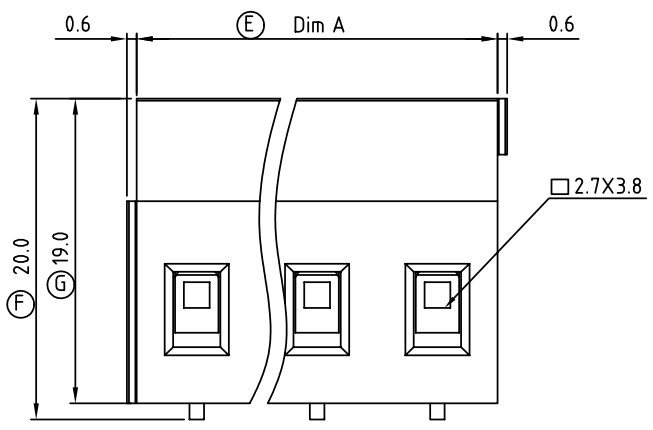


DIMENSION		Poles	Tolerance
Dim A	Nx7.5	2p-6p	±0.15
Dim B	(N-1)×7.5	7p-12p	±0.25
		13p-16p	±0.35

N=Number of contacts



SIGN	DATE	DESCRIPTION	APPROVER
△	3/22'06	Hole size changed from 0.5mm to 1.3mm	Tony
△	01/12'07	Soldering temperature changed from 245° to 250°	Tason
△	01/12'07	Part NO is Changed	Tason
△	07/20'09	The shope of digging hele is Changed	Aaron
△	07/20'09	Operating temperature is Changed	Aaron
△	10/26'09	Wire guard solder pin is Changed from Brass to Copper	Aaron
△	11/09'10	Add is " VDE "	Aaron

THIS IS CAD DRAWING, DO NOT REVISE MANUALLY!!!

Material:

- Item 1 Terminal housing:Thermoplastic (UL 94V-0)
- Item 2 Clamp: Brass Ni plated
- △ ● Item 3 Wire guard solder pin:Copper Tin plated
- Item 4 Terminal screw: Steel Zinc plating"-slot type

△ Electrical cULus VDE

- Voltage rating: 300VAC 750V
- Current rating: 20A 24A
- Wire range : 0.2-2.5mm²
- Solid wire(AWG): 12-30
- Stranded wire(AWG): 12-30
- Torque(Lb-In): 3.5 0.5 N.m
- Screw: M3
- Wire strip length: 6-7mm
- Withstanding Voltage: 1.6KV 3KV
- △ ● Operating temperature: -40°C to +115°C
- △ ● Soldering temperature: 250°C±10°C/5 Sec
- Safety Approval:

△ VJ xx 41 x 0 xxxx G

RoHS Pb<40,000ppm

No. of poles end stackable design	Color	Code	Logo
0	Black (RAL9005)	0000:"@"	@Logo (Standard)
02	Red (RAL3001/D)	000A:"ANYTEK"	ANYTEK Logo
03	2 CONTACTS	3 Orange(RAL2011/P)	Any special item by customer request, please contact sales department.
...	...	4 Yellow(RAL1018/A)	...
...	...	5 Green(RAL6018/T)	...
16	16 CONTACTS	6 Blue (RAL5015/A)	...
		8 Grey(RAL7035/D)	...

<h1>ANYTEK</h1>		<h2>CUSTOMER COPY</h2>	
<small>ALL RIGHTS RESERVED. REPRODUCTION OR ISSUE TO THIRD PARTIES IN ANY FORM WHATSOEVER IS NOT PERMITTED WITHOUT WRITTEN AUTHORITY FROM THE PROPRIETOR. PROPERTY OF ANYTEK TECHNOLOGY CO., LTD</small>			
TITLE	VJ-7.5 Series 2P-16P Vertical (90D wire inlet)		
PART NO.	VJxx41x0xxxxG	DWG NO.	8VJ0202
APPROVED	CHECKED	DESIGNED	DRAWN
		Aaron 2010.11.09	Aaron 2009.10.26
SHEET: 01/01		UNIT: mm SCALE: NONE REV.: H	
		Tolerance X. ±0.50 X.X ±0.30 X.XX ±0.10 X* ±1°	