



HEYbrid™ Stainless Steel Liquid Tight Cordgrips

Straight-Thru, Pg Hubs

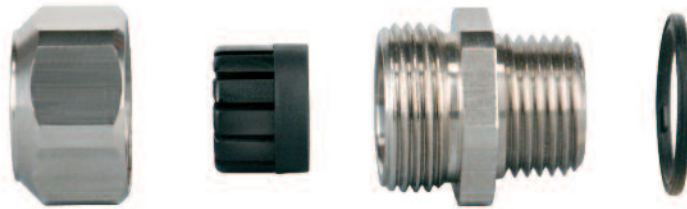
Don't get SKU'ed: More Cable Range, Fewer SKU's – Genetically engineered to destroy your inventory monster!

The Ultimate in Liquid Tight Strain Relief Protection

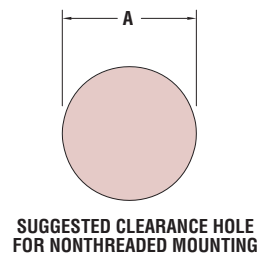
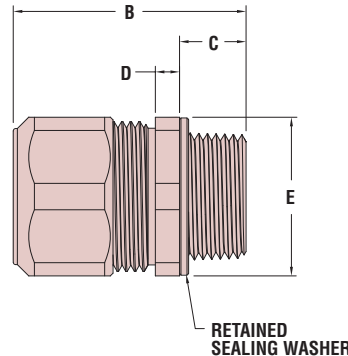
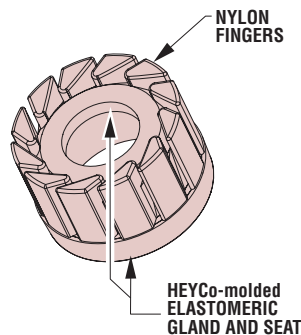


- **HEYCo-molded gripping finger/gland technology** accommodates the **widest cable range** over the **fewest sku's**.
- Rolled grease-free threads **prevent galling** and allow for multiple assemblies and disassemblies. No messy, unsightly thread lubrication required.
- Approved for **NEMA 4, 4X, 6 and 6P** applications.
- Self-retaining sealing rings eliminate the need for an O-Ring groove, thus **reducing cost**.
- Typical applications: Control cabinets, marine, car washes, hot tubs, instrumentation, carpet cleaning machines, food processing equipment, underground for direct burial or submersed up to 130 ft. (70 PSIG).
- Ideal for corrosive environments.
- Constructed from corrosion resistant 303 stainless steel.
- Resistant to salt water, acids and most chemicals.
- Locknuts not included. To order locknuts separately, see page 3-46.
- Patent pending.
- DFARS Compliant

| CABLE DIA. RANGE | | | | PART NO. | DESCRIPTION | or | PART DIMENSIONS | | | | | | | | | |
|----------------------------------|------|---------|------|--------------|--------------|----|---------------------|------------------|---------------|-----------|-------------------------|------|-----|-----|------|------|
| Minimum | | Maximum | | | | | A | B | C | D | | E | | | | |
| in. | mm. | in. | mm. | | | | Clearance Hole Dia. | Max. O.A. Length | Thread Length | Thickness | Wrenching Nut Flat Size | in. | mm. | in. | mm. | |
| HEYCo-molded Finger/Gland | | | | | | | | | | | | | | | | |
| .065 | 1,7 | .210 | 5,3 | M6030 | RSSCG PG7 | | .492 | 12,5 | 1.24 | 31,5 | .35 | 8,9 | .20 | 5,1 | .75 | 19,1 |
| .115 | 2,9 | .250 | 6,4 | M6031 | SSCG PG7 | | | | | | | | | | | |
| .065 | 1,7 | .230 | 5,8 | M6032 | RSSCG PG9 | | .599 | 15,2 | 1.31 | 33,3 | .34 | 8,6 | .20 | 5,1 | .88 | 22,4 |
| .105 | 2,7 | .315 | 8,0 | M6033 | SSCG PG9 | | | | | | | | | | | |
| .095 | 2,4 | .290 | 7,4 | M6036 | RSSCG PG13.5 | | .804 | 20,4 | 1.58 | 40,1 | .42 | 10,7 | .20 | 5,1 | 1.06 | 26,9 |
| .170 | 4,3 | .450 | 11,4 | M6037 | SSCG PG13.5 | | | | | | | | | | | |
| .180 | 4,6 | .400 | 10,2 | M6038 | RSSCG PG16 | | .886 | 22,5 | 1.73 | 43,9 | .45 | 11,4 | .20 | 5,1 | 1.25 | 31,8 |
| .260 | 6,6 | .545 | 13,8 | M6039 | SSCG PG16 | | | | | | | | | | | |
| .250 | 6,4 | .490 | 12,4 | M6040 | RSSCG PG21 | | 1.115 | 28,3 | 1.91 | 48,5 | .53 | 13,5 | .20 | 5,1 | 1.31 | 33,3 |
| .435 | 11,0 | .705 | 17,9 | M6041 | SSCG PG21 | | | | | | | | | | | |
| .490 | 12,4 | .785 | 19,9 | M6042 | RSSCG PG29 | | 1.470 | 37,3 | 2.19 | 55,6 | .59 | 15,0 | .20 | 5,1 | 1.75 | 44,5 |
| .590 | 15,0 | 1.000 | 25,4 | M6043 | SSCG PG29 | | | | | | | | | | | |



The HEYCo-molded Finger, Gland & Seat



Quick Specs

| | |
|---------------------|---|
| Material | 303 Stainless Steel Body and sealing nut with nylon 6/6 and TPE co-molded finger/gland assembly SBR Sealing Washer |
| Certifications | Listed under Underwriters' Laboratories File E51579 Recognized under Underwriters' Laboratories File E51579 |
| Flammability Rating | 94V-2 |
| Temperature Range | -40°F (-40°C) to 221°F (105°C) |
| IP Rating | IP68 (70 PSI, 5 BAR) |