



## HEYbrid™ Stainless Steel Liquid Tight Cordgrips

### Straight-Thru, Pg Hubs

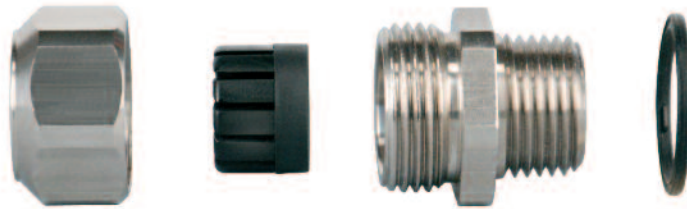
Don't get SKU'ed: More Cable Range, Fewer SKU's – Genetically engineered to destroy your inventory monster!

*The Ultimate in Liquid Tight Strain Relief Protection*

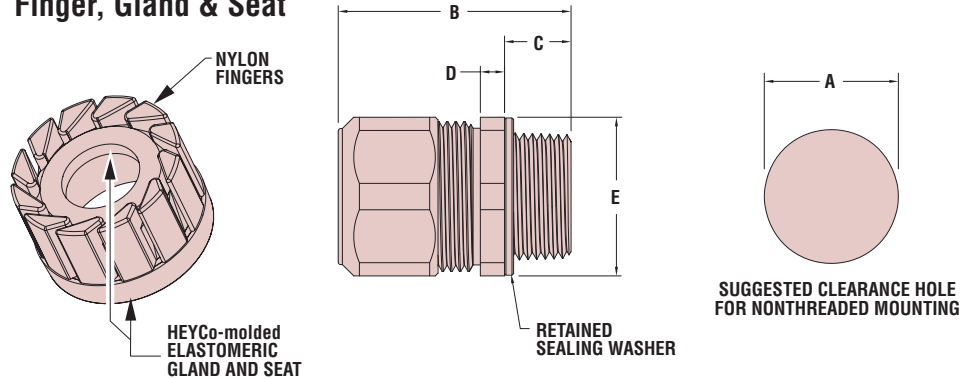
**ALL NEW PRODUCTS!**

- **HEYCo-molded gripping finger/gland technology** accommodates the **widest cable range** over the **fewest sku's**.
- Rolled grease-free threads **prevent galling** and allow for multiple assemblies and disassemblies. No messy, unsightly thread lubrication required.
- Approved for **NEMA 4, 4X, 6 and 6P** applications.
- Self-retaining sealing rings eliminate the need for an O-Ring groove, thus **reducing cost**.
- Typical applications: Control cabinets, marine, car washes, hot tubs, instrumentation, carpet cleaning machines, food processing equipment, underground for direct burial or submersed up to 130 ft. (70 PSIG).
- Ideal for corrosive environments.
- Constructed from corrosion resistant 303 stainless steel.
- Resistant to salt water, acids and most chemicals.
- Locknuts not included. To order locknuts separately, see page 3-46.
- Patent pending.
- DFARS Compliant

CABLE DIA. RANGE				PART NO.	DESCRIPTION	or	PART DIMENSIONS									
Minimum		Maximum					A	B		C		D		E		
in.	mm.	in.	mm.	Clearance Hole Dia.	Max. O.A. Length	Thread Length	Thickness	Wrenching Nut Flat Size	in.	mm.	in.	mm.				
<b>HEYCo-molded Finger/Gland</b>																
.065	1,7	.210	5,3	<b>M6030</b>	RSSCG PG7		.492	12,5	1.24	31,5	.35	8,9	.20	5,1	.75	19,1
.115	2,9	.250	6,4	<b>M6031</b>	SSCG PG7											
.065	1,7	.230	5,8	<b>M6032</b>	RSSCG PG9		.599	15,2	1.31	33,3	.34	8,6	.20	5,1	.88	22,4
.105	2,7	.315	8,0	<b>M6033</b>	SSCG PG9											
.095	2,4	.290	7,4	<b>M6036</b>	RSSCG PG13.5		.804	20,4	1.58	40,1	.42	10,7	.20	5,1	1.06	26,9
.170	4,3	.450	11,4	<b>M6037</b>	SSCG PG13.5											
.180	4,6	.400	10,2	<b>M6038</b>	RSSCG PG16		.886	22,5	1.73	43,9	.45	11,4	.20	5,1	1.25	31,8
.260	6,6	.545	13,8	<b>M6039</b>	SSCG PG16											
.250	6,4	.490	12,4	<b>M6040</b>	RSSCG PG21		1.115	28,3	1.91	48,5	.53	13,5	.20	5,1	1.31	33,3
.435	11,0	.705	17,9	<b>M6041</b>	SSCG PG21											
.490	12,4	.785	19,9	<b>M6042</b>	RSSCG PG29		1.470	37,3	2.19	55,6	.59	15,0	.20	5,1	1.75	44,5
.590	15,0	1.000	25,4	<b>M6043</b>	SSCG PG29											



### The HEYCo-molded Finger, Gland & Seat



*Quick Specs*

Material	303 Stainless Steel Body and sealing nut with nylon 6/6 and TPE co-molded finger/gland assembly SBR Sealing Washer
Certifications	Listed under Underwriters' Laboratories File E51579 Recognized under Underwriters' Laboratories File E51579
Flammability Rating	94V-2
Temperature Range	-40°F (-40°C) to 221°F (105°C)
IP Rating	IP68 (70 PSI, 5 BAR)