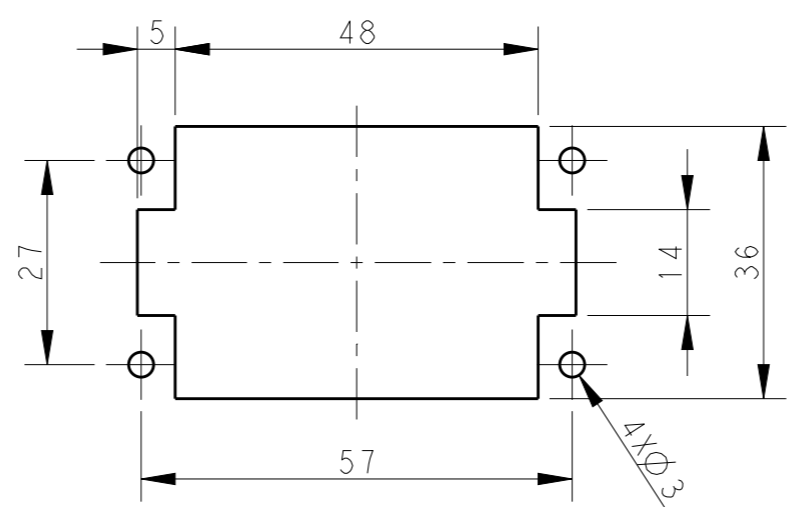
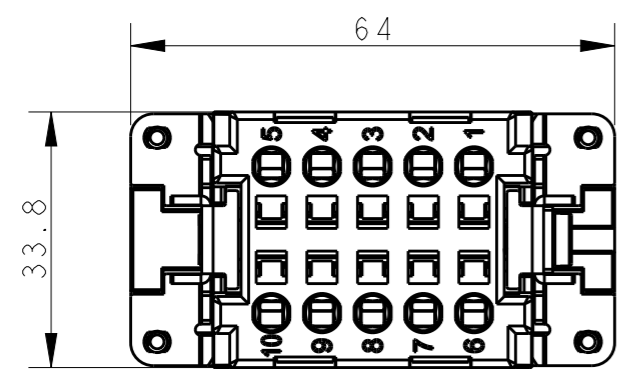


THIS DRAWING IS UNPUBLISHED. RELEASED FOR PUBLICATION 20
 © COPYRIGHT 20 BY - ALL RIGHTS RESERVED.

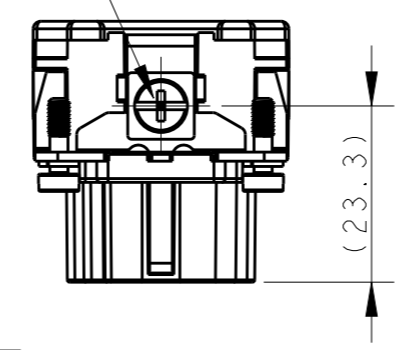
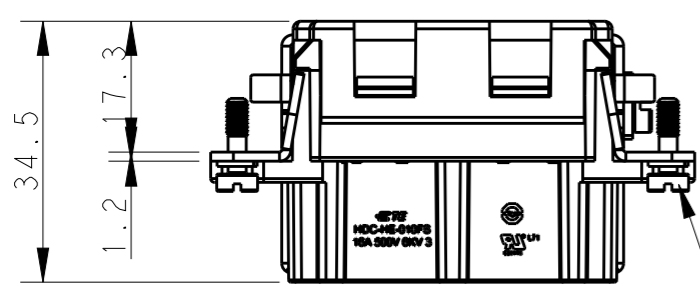
REVISIONS

P	LTR	DESCRIPTION	DATE	DWN	APVD
A		INITIAL RELEASE	09APR2015	GY	CW
B		ECR-15-013759	29SEP2015	DW	CW



不使用防护外壳时芯件的安装开孔图
 Panel cut out for inserts for use without hoods/housings

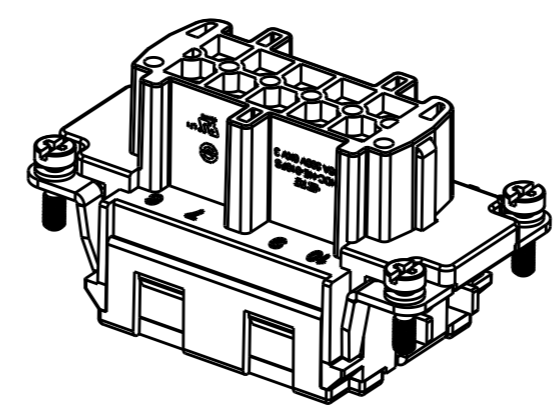
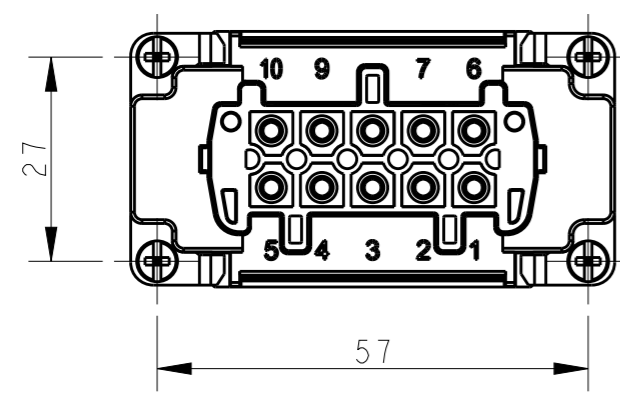
M4 screw, recommended tightening torque 1.2Nm




4 X M3 screw, recommended tightening torque 0.5Nm

NOTES:
 1. TECHNICAL CHARACTERISTICS:
 INSULATION MATERIAL: PC
 RATED VOLTAGE: 500V
 RATED CURRENT: 16A
 INSULATION RESISTANCE: >=400MΩ
 RATED IMPULSE VOLTAGE: 6KV
 POLLUTION DEGREE: 3
 FLAMMABILITY: UL94V-0
 MATING CYCLES: 500 CYCLES
 OPERATION TEMPERATURE: -40°C~+125°C
 WIRE RANGE: 0.5mm²~2.5mm² (AWG20-AWG14)
 CONTACT TYPE: SPRING CLAMP

注释:
 1. 技术参数:
 绝缘材料: PC
 额定电压: 500V
 额定电流: 16A
 绝缘电阻: >=400MΩ
 脉冲电压: 6KV
 污染等级: 3
 阻燃等级: UL94V-0
 插拔次数: 500 次
 工作温度: -40°C~+125°C
 接线范围: 0.5mm²~2.5mm² (AWG20-AWG14)
 接线类型: 弹片压接



HE-010-FS	T2040103201-000
DESCRIPTION	PART NUMBER

THIS DRAWING IS A CONTROLLED DOCUMENT.		DWN	Gino.Yao	09APR2015	 TE Connectivity			
DIMENSIONS: mm		CHK	Chris.Wang	09APR2015				
TOLERANCES UNLESS OTHERWISE SPECIFIED:		APVD	Xiang.Xu	09APR2015				
0 PLC ±- 1 PLC ±- 2 PLC ±- 3 PLC ±- 4 PLC ±- ANGLES ±-		PRODUCT SPEC	108-137044					
MATERIAL -		FINISH -	APPLICATION SPEC		NAME	HE-010-FS		
		WEIGHT -		SIZE	CAGE CODE	DRAWING NO	RESTRICTED TO	
		Customer Drawing		A3	00779	©-T2040103201000	-	
		SCALE		1:1	SHEET	1 OF 1	REV	B