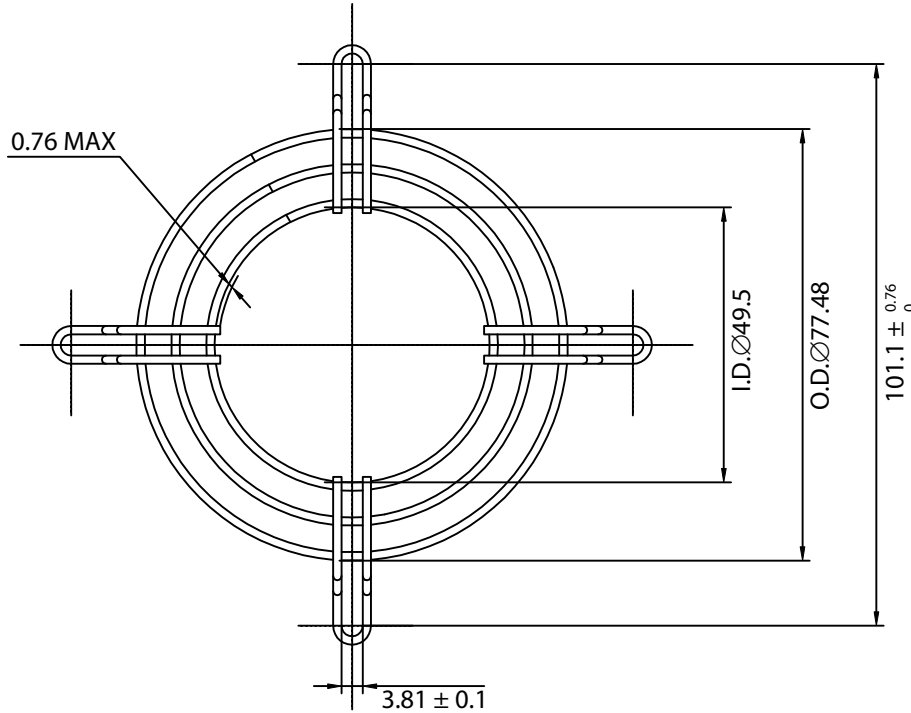


THESE DRAWINGS ARE THE PROPERTY OF QUALTEK ELECTRONICS AND NOT TO BE REPRODUCED FOR OR COMMUNICATED TO A THIRD PARTY WITHOUT THE EXPRESS WRITTEN PERMISSION OF AN OFFICER OF QUALTEK ELECTRONICS.

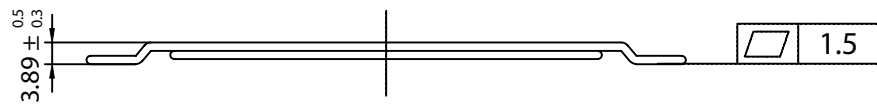
REVISION			
REV.	DESCRIPTION	DATE	APPROVED



NOTES:

1. MATERIAL: C1008 BRIGHT BASIC WIRE
2. FINISH: BRIGHT NICKEL CHROME PLATING
3. 0.30 ± 0.05 DEPTH OF SERRATIONS ON WIRE
4. RING: Ø1.2 ± 0.1mm  
RIB: Ø1.6 ± 0.1mm
5. GENERAL TOLERANCE UNLESS NOTED IS ± 0.5mm
6. RoHS COMPLIANT

**CONTROLLED**



Dim range (mm)		Tolerance +/- (mm)		<b>Qualtek Electronics Corp.</b> <b>FAN-S DIVISION</b>		
0-5	0.1	Part Number: <b>08153</b>				
5-16	0.15	Description: <b>WIRE FORM FAN GUARD (80mm)</b>				
16-64	0.2	UNIT: mm				
64-250	0.4	Drawn / Date	Checked / Date	Approved / Date		
250-1000	0.5	R.Nuti 01-29-09	01-29-09	LY / 01-29-09		
1000-1500	1.0					

# Mouser Electronics

Authorized Distributor

Click to View Pricing, Inventory, Delivery & Lifecycle Information:

[Qualtek:](#)

[08153](#)