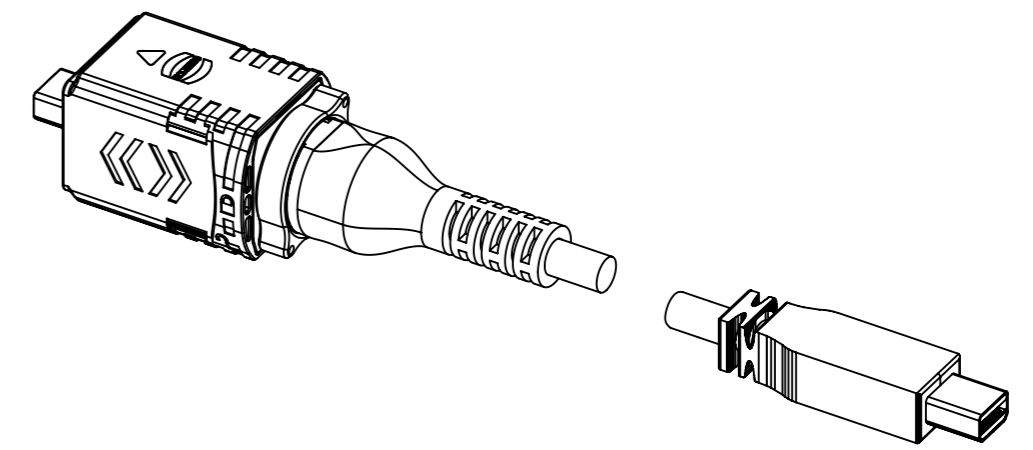
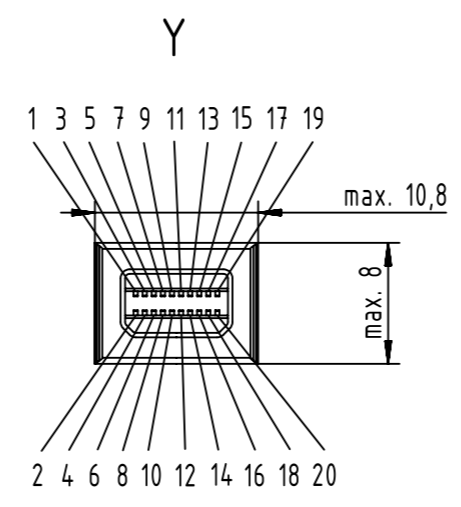


loading plan

BLUE	12		3
WHITE	10		5
GND	8		1
YELLOW	17		9
WHITE	15		11
GND	13		7
BROWN	11		15
WHITE	9		17
GND	7		13
ORANGE	5		10
WHITE	3		12
GND	1		8
RED	16		16
WHITE	18		18
GND	14		14
BLUE	2		2
GREEN	4		4
PURPLE	6		6
RED	19		19
SHIELD SHELL			SHELL



further information see: DS 0945000001

no.	part number	description	length a [mm]
5	09451451014	HARTING PushPull Mini DisplayPort cable, PushPull - IP20, 3.0m	3000 ± 50
4	09451451013	HARTING PushPull Mini DisplayPort cable, PushPull - IP20, 2.0m	2000 ± 50
3	09451451012	HARTING PushPull Mini DisplayPort cable, PushPull - IP20, 1.5m	1500 ± 50
2	09451451011	HARTING PushPull Mini DisplayPort cable, PushPull - IP20, 1.0m	1000 ± 50
1	09451451010	HARTING PushPull Mini DisplayPort cable, PushPull - IP20, 0.5m	500 ± 30

	All rights reserved	Created by	Inspected by	Standardisation	Date	State
	Department EC PD - DE	HASELOH	LUECKEMEIERM	HOFFMANN	2017-11-24	Final Release
HARTING Electronics GmbH D-32339 Espelkamp		Title HARTING PushPull Mini DisplayPort cable, PP - IP20			Doc-Key / ECM-Nr. 100688321/UGD/003/D 500000127678	
		Type	Number	Rev.	Page	
		TB	0945145101X	D	1/1	

# Mouser Electronics

Authorized Distributor

Click to View Pricing, Inventory, Delivery & Lifecycle Information:

HARTING:

[09451451010](#) [09451451011](#) [09451451012](#) [09451451013](#)