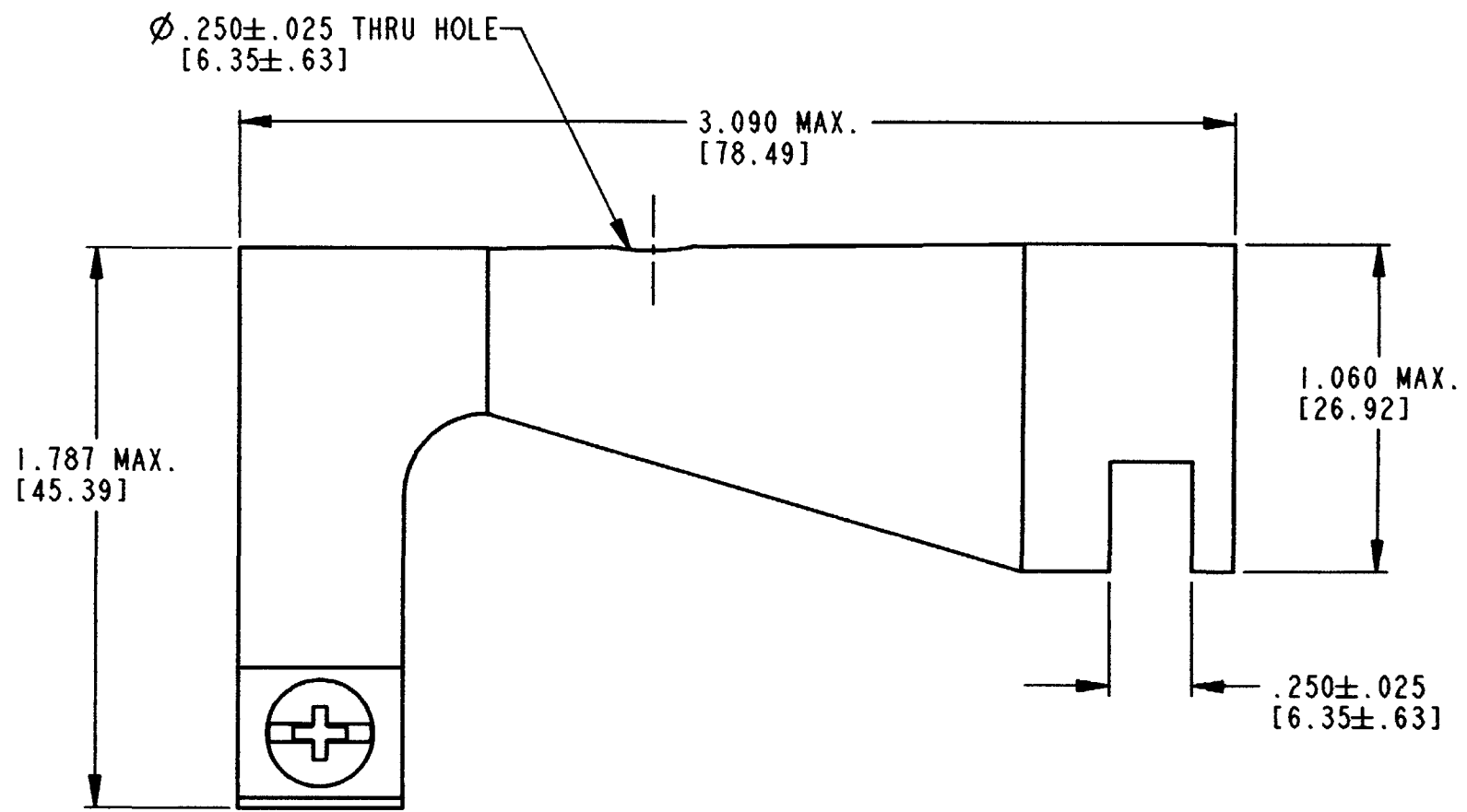
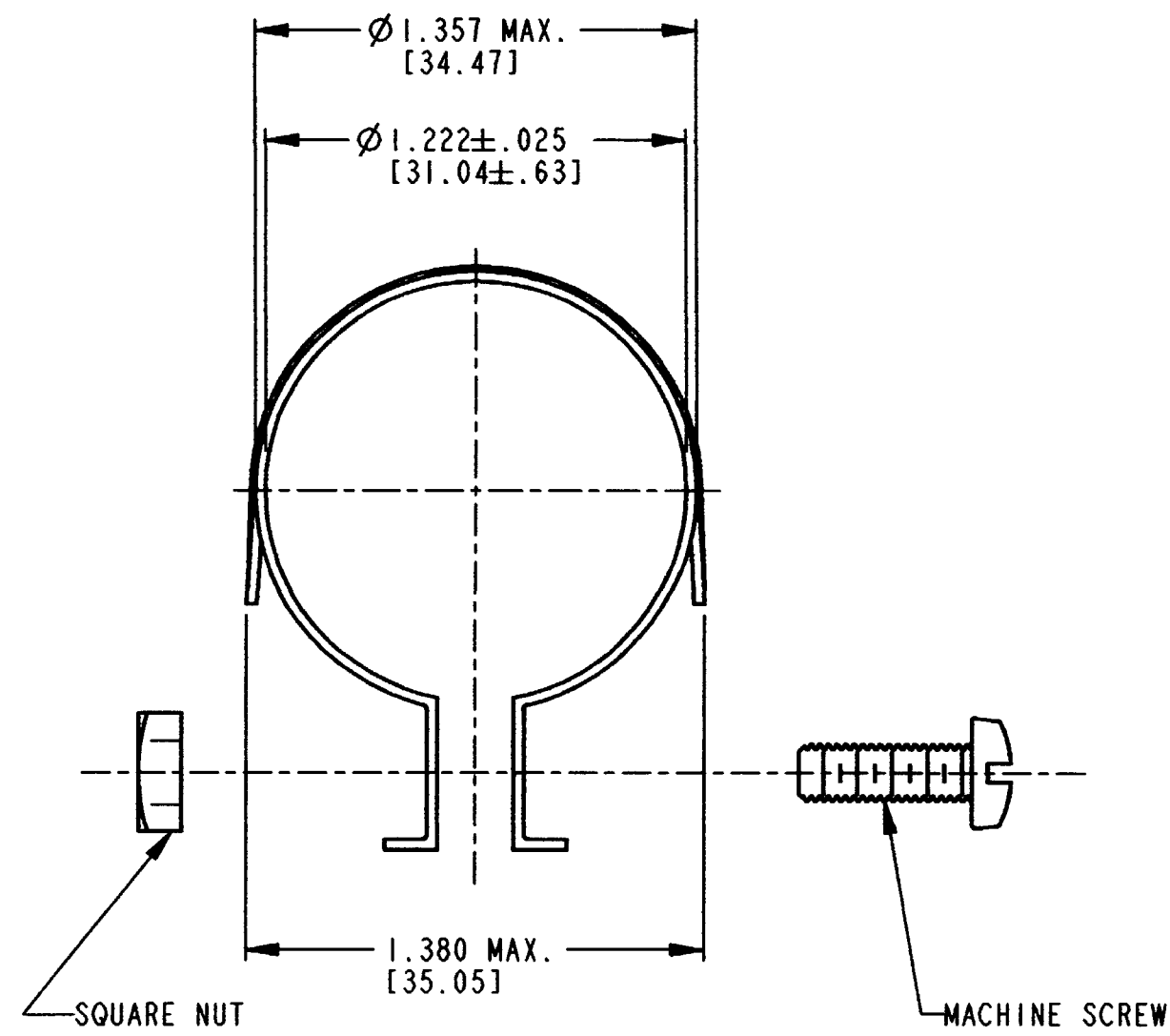


REV  
F WHDS-18-1

REVISIONS			
SYM	DESCRIPTION	DATE	APPROVED
C	REVISED/REDRAWN PER E.O. A14840	05/08/95	R.D.R.
D	REVISED PER E.O. P15468	11/7/97	R.D.R.
E	REVISED PER E.O. P18579	6/14/04	R.D.R.
F	REVISED PER E.O. P19027	8-3-05	RDR



- 5. MACHINE SCREW TORQUE RANGE: 7-10 IN LBS [0.79-1.13 NM].
- 4. MATERIAL: STEEL.
- 3. FINISH: TIN OVER NICKEL PLATE.
- 2. PARTS SHIPPED UNASSEMBLED.

NOTES: 1. DIMENSIONS ARE IN INCHES [MILLIMETERS] UNLESS OTHERWISE SPECIFIED.

SIGNATURE & DATE		CLAMP, STRAIGHT BODY SIZE 18 HD SERIES	CP	MATL. CODE	
DR	L. MAGANA 5/2/95		The Deutch Company DEUTSCH I.P.D. 3850 INDUSTRIAL AVE. HEMET, CALIF. 92545		
CHK	<i>[Signature]</i> 11/21/05		B	WHDS-18-1	
PE	<i>[Signature]</i> 8/21/05			DWG SIZE	CODE 11139
APPD	<i>[Signature]</i> 8/29/05	ENVELOPE			
SCALE	NONE	WT			