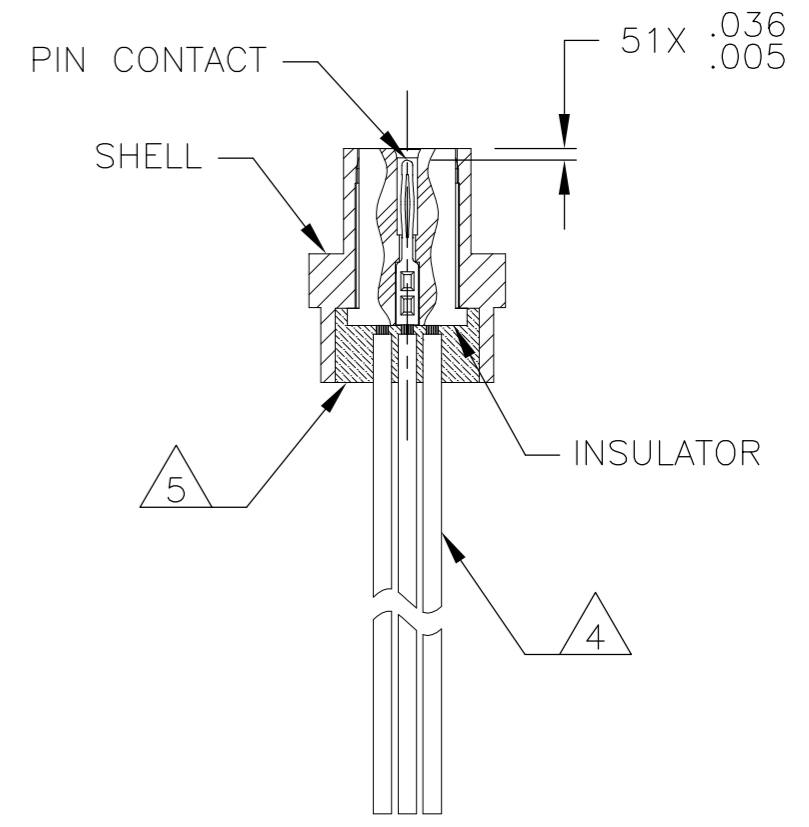
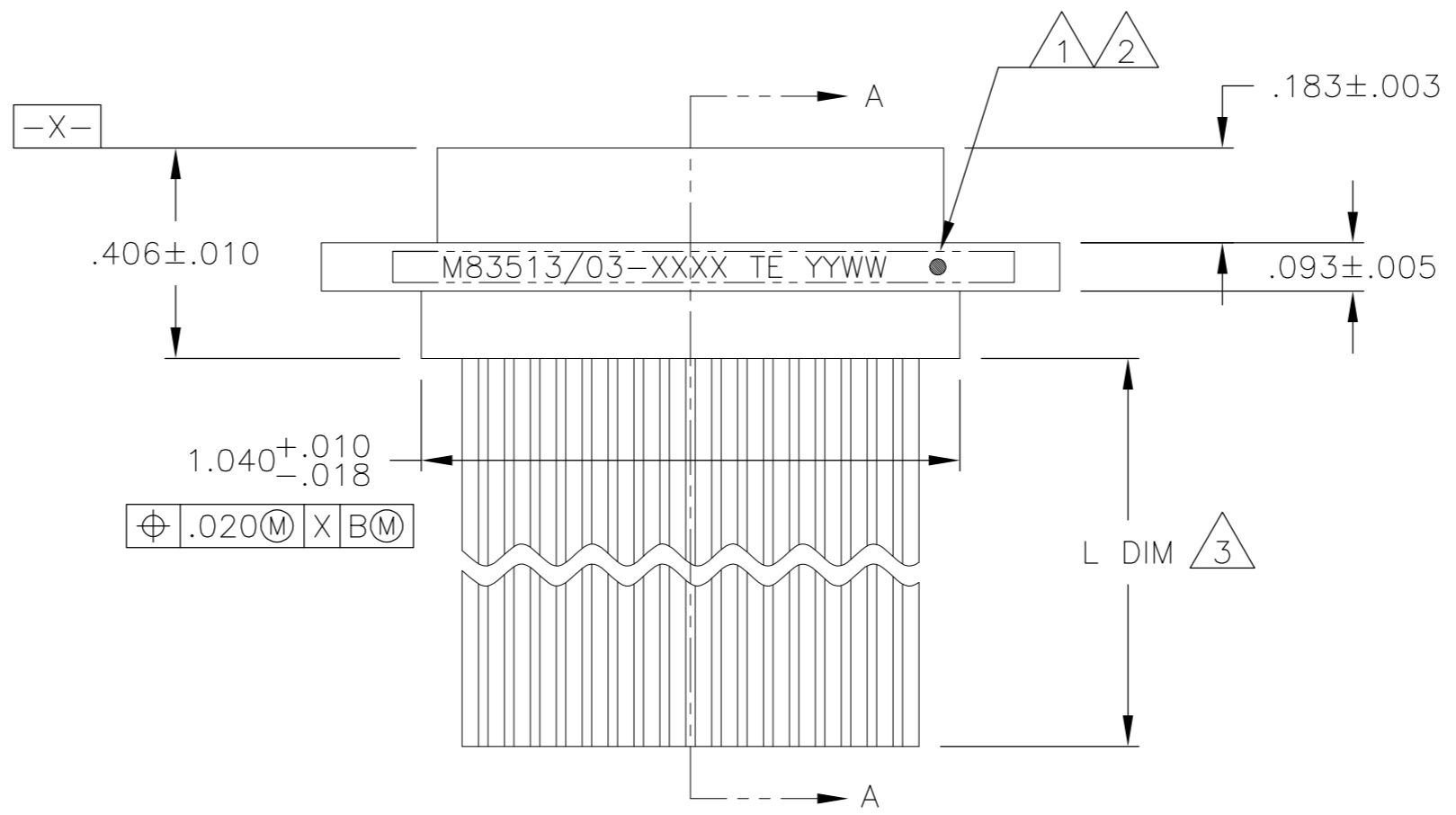
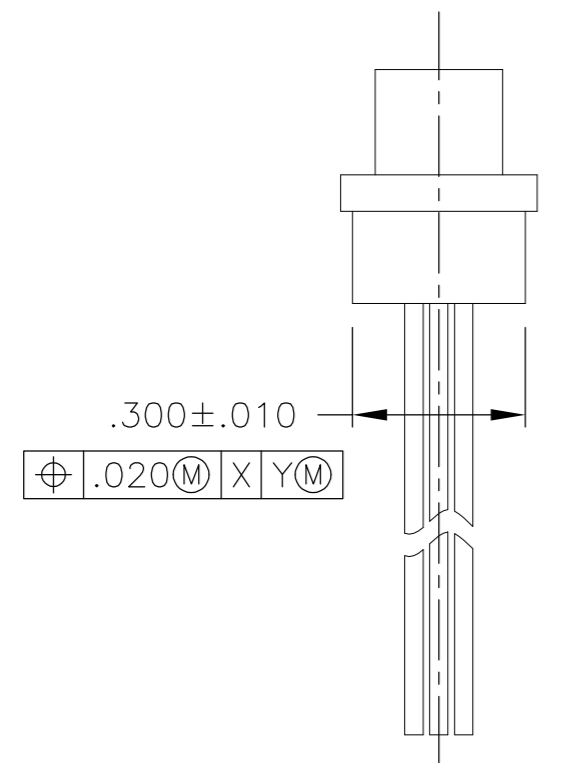
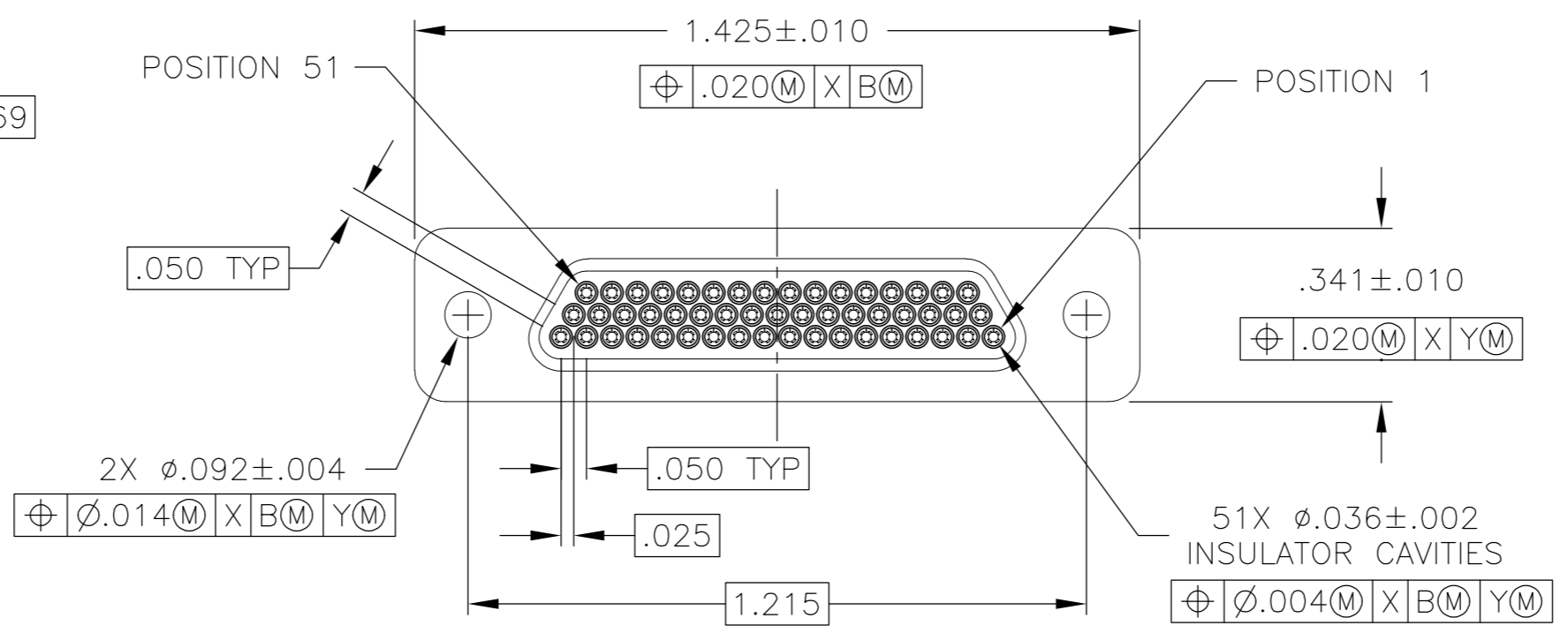
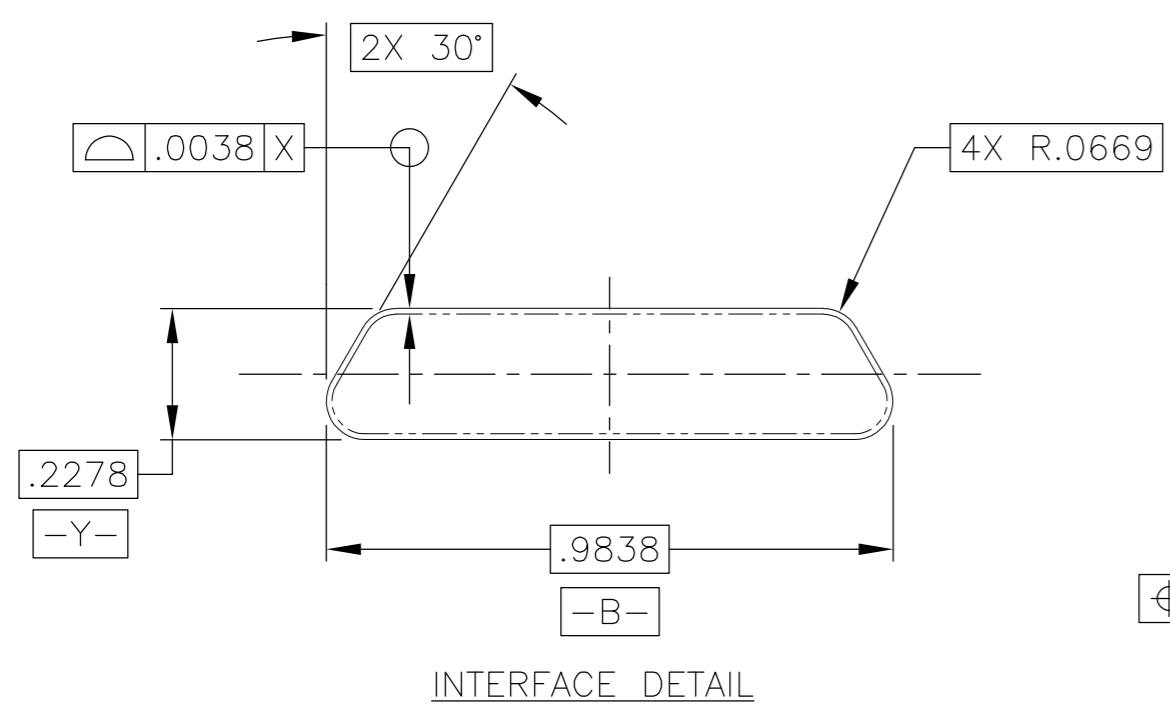


THIS DRAWING IS UNPUBLISHED. RELEASED FOR PUBLICATION  
 © COPYRIGHT BY TYCO ELECTRONICS CORPORATION. ALL INTERNATIONAL RIGHTS RESERVED.

REVISIONS				DATE	DWN	APVD
P	LTR	DESCRIPTION				
A		PRODUCTION RELEASE	03 SEP 08	BJR	MKS	



SECTION A-A

- 1 CONNECTOR SHALL BE MARKED IN ACCORDANCE WITH METHOD I OF MIL-STD-1285. MARKING SHALL CONTAIN THE MILITARY PIN, CAGE CODE (OR TE), AND DATE CODE. EXAMPLE: M83513/03-XXXX TE YYWW (WHERE XXXX IS PART OF THE PIN SHOWN IN THE "MIL-DTL-83513" COLUMN OF THE PART NUMBER TABLE, AND YYWW IS THE DATE CODE). TEXT HEIGHT SHALL BE .035 INCH MINIMUM.
- 2 POSITION 1 SHALL BE INDICATED BY AN IDENTIFIABLE MARK, LOCATED APPROXIMATELY AS SHOWN ON THE POSITION 1 SIDE OF THE CONNECTOR FLANGE. THIS MARK SHALL BE INCLUDED AS PART OF THE PART MARKING INFORMATION.
- 3 LENGTH IS SHOWN IN THE "L DIM" COLUMN OF THE PART NUMBER TABLE LENGTH TOLERANCE IS +1.0/-0.0 FOR INSULATED WIRE TERMINATIONS, AND +0.20/-0.00 FOR UNINSULATED WIRE TERMINATIONS
- 4 INSULATED WIRE IS SHOWN FOR REFERENCE ONLY. PART MAY BE TERMINATED WITH INSULATED OR UNINSULATED WIRE ACCORDING TO THE PART NUMBER TABLE.
- 5 EPOXY ENCAPSULATION. EPOXY MAY WICK .125 INCH MAX FOR INSULATED WIRE, AND .050 INCH MAX FOR UNINSULATED WIRE.
- 6 ALL DIMENSIONS AND REQUIREMENTS ARE PER MIL-DTL-83513/3

THIS DRAWING IS A CONTROLLED DOCUMENT.		DWN B. ROMANCHUK	03 SEP 08	Tyco Electronics Corporation Harrisburg, PA 17105-3608	
DIMENSIONS: INCHES		CHK -	APVD M. STORRY	03 SEP 08	NAME PLUG ASSEMBLY, MICRO-D PER MIL-DTL-83513/03, MCKS SERIES, 51 POSITION
TOLERANCES UNLESS OTHERWISE SPECIFIED:		PRODUCT SPEC -		APPLICATION SPEC -	
0 PLC ± -		WEIGHT -		SIZE A2	
1 PLC ± -		MATERIAL SEE NOTES		CAGE CODE 98278	
2 PLC ± .010		FINISH -		DRAWING NO 1532185	
3 PLC ± .005		CUSTOMER DRAWING		RESTRICTED TO -	
4 PLC ± -		SCALE 3:1		SHEET 1 of 2	
ANGLES ± 1°		REV A			

THIS DRAWING IS UNPUBLISHED. RELEASED FOR PUBLICATION  
 © COPYRIGHT BY TYCO ELECTRONICS CORPORATION. ALL INTERNATIONAL RIGHTS RESERVED.

REVISIONS							
LOC	DIST	P	LTR	DESCRIPTION	DATE	DWN	APVD
-	-	-	-	SEE SHEET 1	-	-	-

TE PART NUMBER	L DIM	MIL-DTL-83513 PIN	MICRODOT P/N	MCKS DESCRIPTION	3	1
1532185-1	18	M83513/03-G01N	094-6725-0001	MCKS-N1-B-51P6G1-18.0		
1532185-2	36	M83513/03-G02N	094-6725-0002	MCKS-N1-B-51P6G1-36.0		
1532185-3	18	M83513/03-G03N	094-6725-0003	MCKS-N1-B-51P6G9-18.0		
1532185-4	36	M83513/03-G04N	094-6725-0004	MCKS-N1-B-51P6G9-36.0		
1532185-5	18	M83513/03-G09N	094-6725-0009	MCKS-N1-B-51P6Q1-18.0		
1532185-6	36	M83513/03-G10N	094-6725-0010	MCKS-N1-B-51P6Q1-36.0		
1532185-7	18	M83513/03-G11N	094-6725-0011	MCKS-N1-B-51P6Q9-18.0		
1532185-8	36	M83513/03-G12N	094-6725-0012	MCKS-N1-B-51P6Q9-36.0		
1532185-9	72	M83513/03-G13N	094-6725-0013	MCKS-N1-B-51P6G1-72.0		
1-1532185-0	72	M83513/03-G14N	094-6725-0014	MCKS-N1-B-51P6G9-72.0		
1-1532185-1	72	M83513/03-G15N	094-6725-0015	MCKS-N1-B-51P6Q1-72.0		
1-1532185-2	72	M83513/03-G16N	094-6725-0016	MCKS-N1-B-51P6Q9-72.0		
1-1532185-3	0.5	M83513/03-G05N	094-6725-0005	MCKS-N1-B-51P5L4-0.5		
1-1532185-4	1.0	M83513/03-G06N	094-6725-0006	MCKS-N1-B-51P5L4-1.0		
1-1532185-5	0.5	M83513/03-G07N	094-6725-0007	MCKS-N1-B-51P5L5-0.5		
1-1532185-6	1.0	M83513/03-G08N	094-6725-0008	MCKS-N1-B-51P5L5-1.0		
1-1532185-7	18	M83513/03-G01C	094-6735-0001	MCKS-C2-B-51P6G1-18.0		
1-1532185-8	36	M83513/03-G02C	094-6735-0002	MCKS-C2-B-51P6G1-36.0		
1-1532185-9	18	M83513/03-G03C	094-6735-0003	MCKS-C2-B-51P6G9-18.0		
2-1532185-0	36	M83513/03-G04C	094-6735-0004	MCKS-C2-B-51P6G9-36.0		
2-1532185-1	0.5	M83513/03-G05C	094-6735-0005	MCKS-C2-B-51P5L4-0.5		
2-1532185-2	1.0	M83513/03-G06C	094-6735-0006	MCKS-C2-B-51P5L4-1.0		
2-1532185-3	0.5	M83513/03-G07C	094-6735-0007	MCKS-C2-B-51P5L5-0.5		
2-1532185-4	1.0	M83513/03-G08C	094-6735-0008	MCKS-C2-B-51P5L5-1.0		
2-1532185-5	18	M83513/03-G09C	094-6735-0009	MCKS-C2-B-51P6Q1-18.0		
2-1532185-6	36	M83513/03-G10C	094-6735-0010	MCKS-C2-B-51P6Q1-36.0		
2-1532185-7	18	M83513/03-G11C	094-6735-0011	MCKS-C2-B-51P6Q9-18.0		
2-1532185-8	36	M83513/03-G12C	094-6735-0012	MCKS-C2-B-51P6Q9-36.0		
2-1532185-9	72	M83513/03-G13C	094-6735-0013	MCKS-C2-B-51P6G1-72.0		
3-1532185-0	72	M83513/03-G14C	094-6735-0014	MCKS-C2-B-51P6G9-72.0		
3-1532185-1	72	M83513/03-G15C	094-6735-0015	MCKS-C2-B-51P6Q1-72.0		
3-1532185-2	72	M83513/03-G16C	094-6735-0016	MCKS-C2-B-51P6Q9-72.0		

THIS DRAWING IS A CONTROLLED DOCUMENT.		DWN B. ROMANCHUK	03 SEP 08	Tyco Electronics Corporation Harrisburg, PA 17105-3608	
DIMENSIONS: INCHES		CHK -	-	NAME PLUG ASSEMBLY, MICRO-D PER MIL-DTL-83513/03, MCKS SERIES, 51 POSITION	
TOLERANCES UNLESS OTHERWISE SPECIFIED:		APVD M. STORRY	03 SEP 08	RESTRICTED TO	
0 PLC ± -		PRODUCT SPEC	-	SIZE A2	
1 PLC ± -		APPLICATION SPEC	-	CAGE CODE 98278	
2 PLC ± -		WEIGHT	-	DRAWING NO 1532185	
3 PLC ± -		CUSTOMER DRAWING		SCALE 3:1	
4 PLC ± -		SCALE 3:1		SHEET 2 of 2	
ANGLES ± -		REV A		REV A	
FINISH		REV A		REV A	

1532185