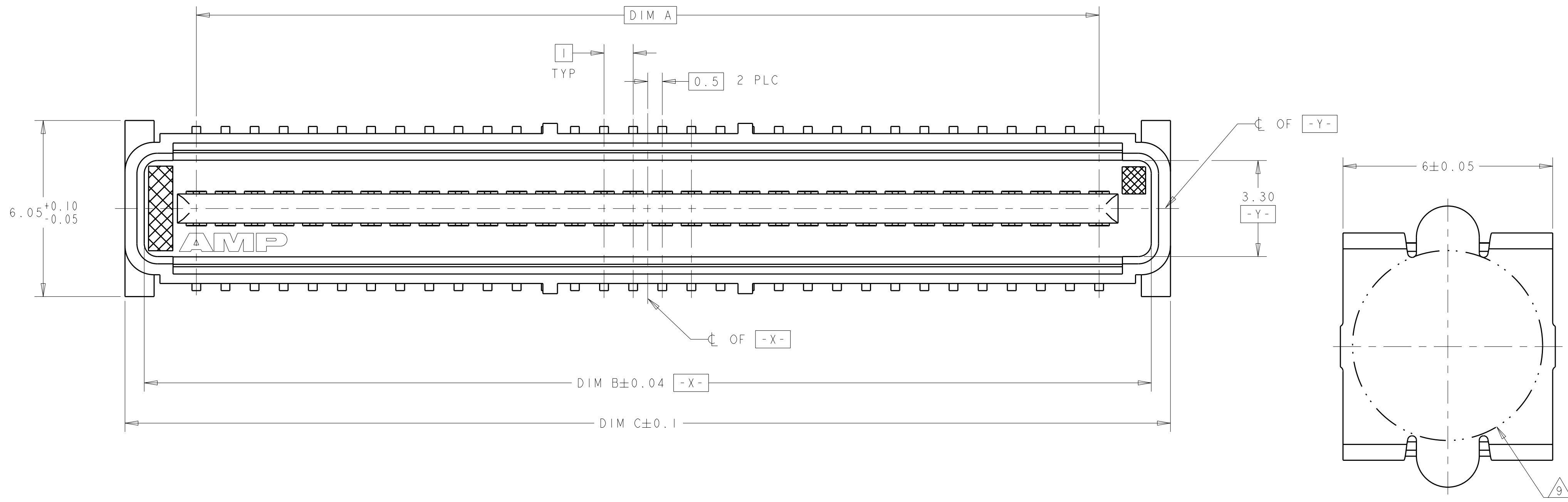
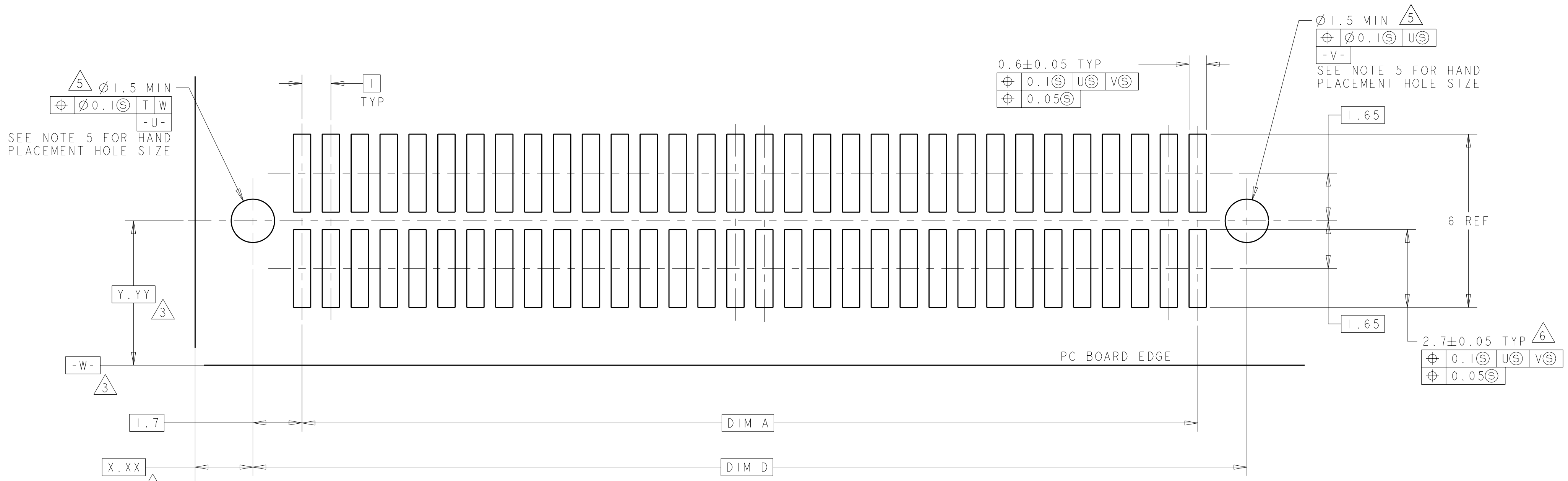
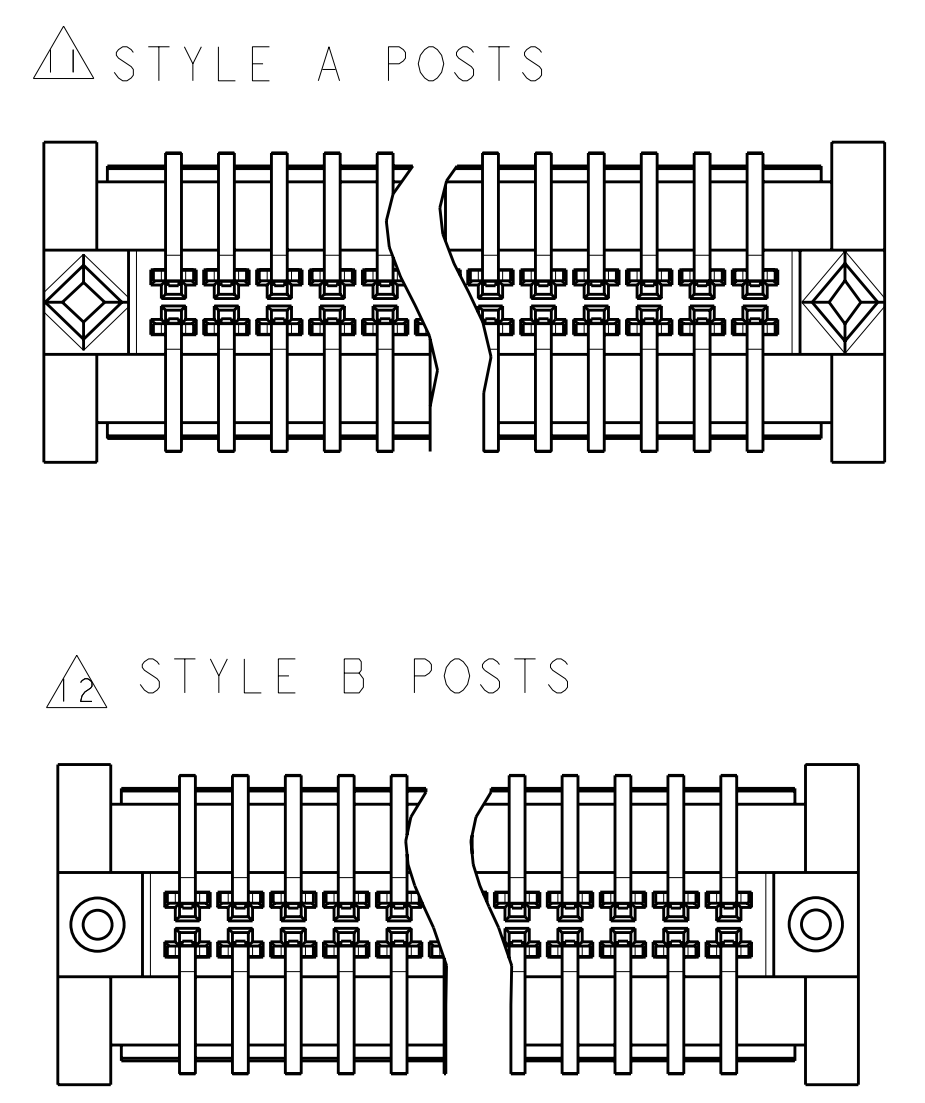
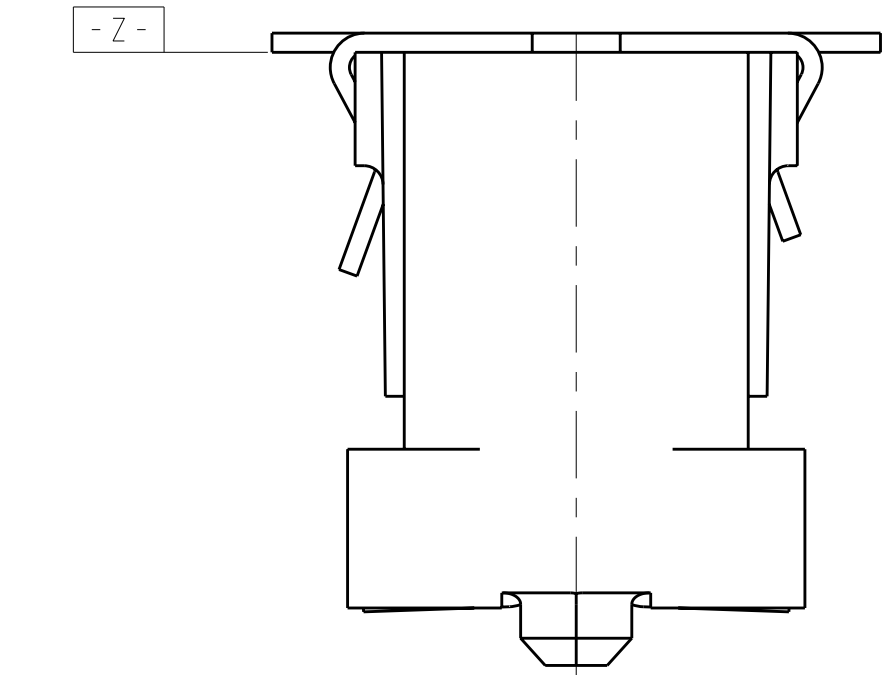
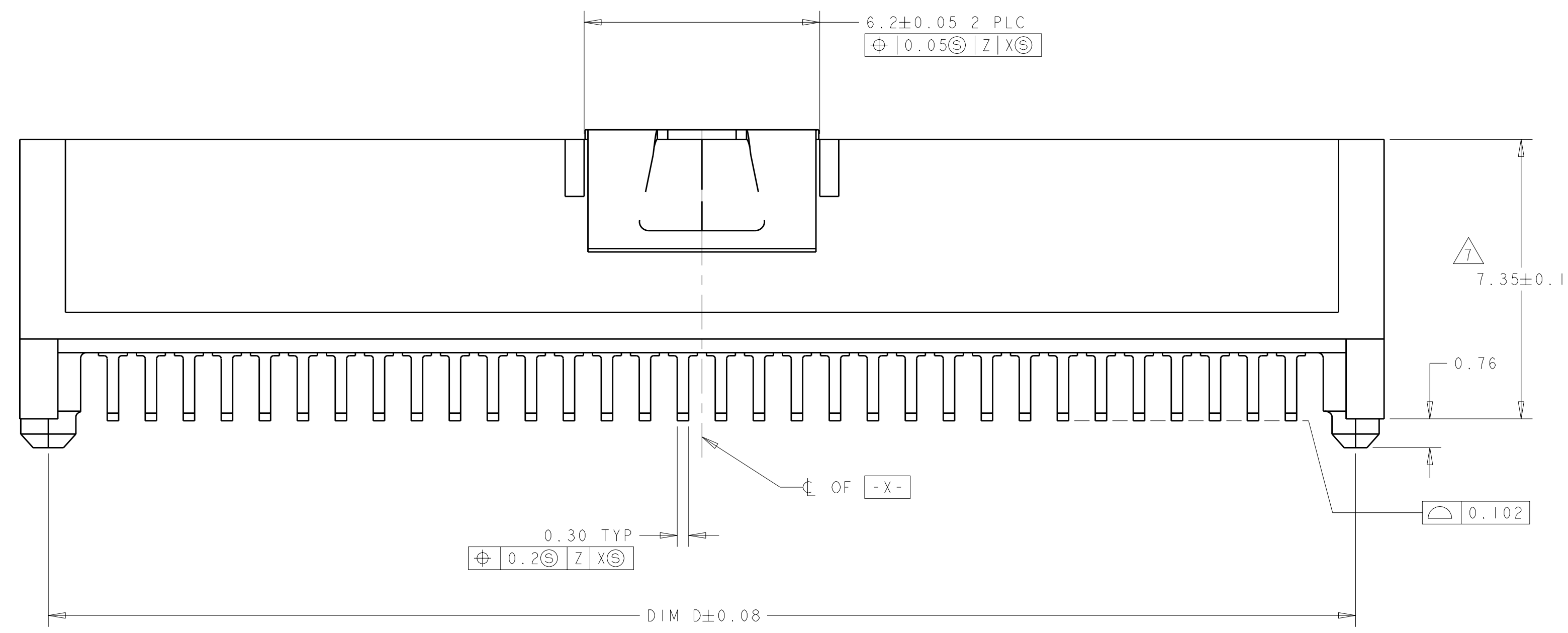
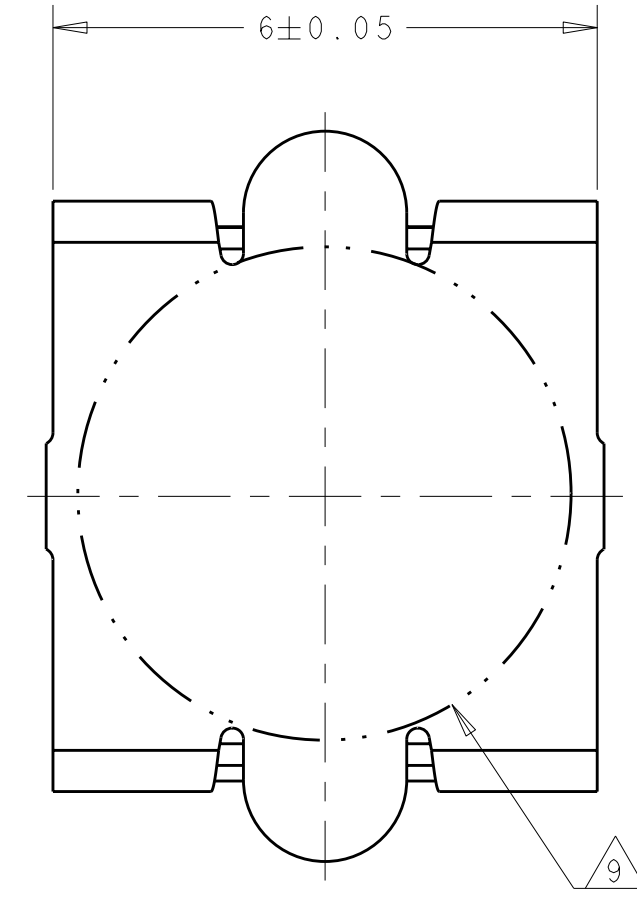


LOC	DIST	REV	DATE	BY	APP'D
AD	00	0	01OCT2004	BC	RW
		A	22JAN2007	BC	DB
		B	10JUL2008	DH	DB
		B1	25AUG2009	AEG	DD



- 1 HOUSING MATERIAL: LIQUID CRYSTAL POLYMER COLOR: BLACK. CONTACT MATERIAL: PHOSPHOR BRONZE.
- 2 CONTACT FINISH: NICKEL UNDERPLATE ALL OVER, MATING SURFACES PLATED TO MEET PLI PERFORMANCE REQUIREMENTS OF INDUSTRY SPECIFICATION EIA-700AAAB, SOLDER TAILS PLATED TIN.
- 3 DATUM LOCATIONS AND BASIC DIMENSIONS TO BE ESTABLISHED BY THE CUSTOMER. CONSULT AMP ENGINEERING WHEN PLACING MULTIPLE CONNECTORS ON A PC BOARD.
- 4 PACKAGED IN TAPE ON REEL PER EIA-481.
- 5 1.4±0.05 DIAMETER HOLE WHEN PLACING BY HAND.
- 6 SHORTER SOLDER LANDS MAY BE USED PER EIA 700AAAB, HOWEVER 2.7 LENGTH ASSURES OPTIMUM SOLDER FILLET REGARDLESS OF MANUFACTURER OF CONNECTOR.
- 7 REFERRED TO AS DIM N IN EIA 700AAAB SPECIFICATION.
- 8 VACUUM COVER NOT SHOWN IN SOME VIEWS FOR CLARITY.
- 9 5.5 MIN DIAMETER TARGET AREA FOR VACUUM PICK-UP.
- 10 CONTACT FINISH: 0.00381 MINIMUM MATTE TIN PER ASTM B 545 ON SOLDER AREA, 0.00127 MINIMUM GOLD PER ASTM B 488 ON MATING AREA, BOTH OVER 0.00127 MINIMUM NICKEL PER SAE-AMS-QQ-N-290 ON ENTIRE CONTACT.
- 11 SQUARE AND DIAMOND SHAPED POSTS
- 12 ROUND SHAPED POSTS



POST STYLE	FINISH	DIM D	DIM C	DIM B	DIM A	STACK HEIGHTS	POS	PART NUMBER
12	10	44.4	45.9	44.58	41	9, 11, 14	84	3-5146898-2
12	10	34.4	35.9	34.58	31	9, 11, 14	64	3-5146898-1
12	2	44.4	45.9	44.58	41	9, 11, 14	84	2-5146898-2
12	2	34.4	35.9	34.58	31	9, 11, 14	64	2-5146898-1
11	10	44.4	45.9	44.58	41	9, 11, 14	84	1-5146898-2
11	10	34.4	35.9	34.58	31	9, 11, 14	64	1-5146898-1
11	2	44.4	45.9	44.58	41	9, 11, 14	84	5146898-2
11	2	34.4	35.9	34.58	31	9, 11, 14	64	5146898-1

THIS DRAWING IS UNPUBLISHED. RELEASED FOR PUBLICATION. 20 BY TYCO ELECTRONICS CORPORATION, ALL RIGHTS RESERVED.

AMP 4805 REV 31MAR2000

Pro/ENGINEER DRAWING

TYCO ELECTRONICS CORPORATION
 HARRISBURG, PA 17105-3608

PLUG ASSY, W/VACUUM COVER, 1.0mm FH(IEEE 1386) CONNECTOR

SCALE 10:1 SHEET 1 OF 1 REV B1