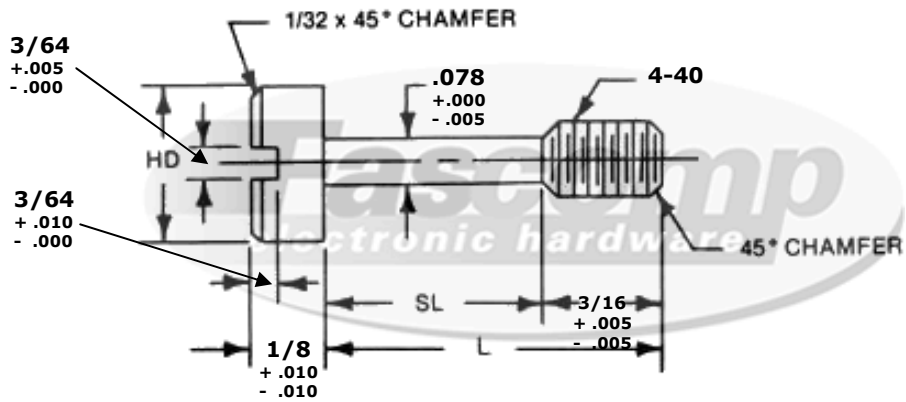


# Captive Screw Type 6 4-40 Thread



**Create a part number:**

Length	Material	Finish
FCXXXX	XX	XX

Captive Screws - 4-40 Thread				
	FCXXXX	Length (L)	H.D. +.005 -.005	S.L. +.005 -.000
✓	FC7083	15/32	1/4	9/32
	FC7084	17/32	1/4	11/32

Material		
	Material Code (XX)	
✓	B	Brass
	S	Steel
	SS	Stainless Steel

	Compatible Finish (XX)	
✓	B, S, SS	0 - Plain
	B, S	5 - Nickel Plate (QQ-N-290)
	B, S	12 - Zinc Clear (ASTM-B-633)
	B, S	16 - Electro Tin (MIL-T-10727 TYPE 1)
	SS	20 - Passivation (MIL-F-14072D)
	B, S, SS	26 - Black Oxide
	B, S	28 - Zinc Yellow (ASTM-B-633)

**Tolerances**  
**Unless otherwise Specified**  
 .xxx +/- .005  
 .xx +/- .010  
 Angular +/- 1 Degree  
 Linear +/- .005  
**Break all sharp edges**

Source Control Drawing:  
 To be produced by  
 Fascomp Electronic Hardware



Fascomp Electronic Hardware  
 7814 Kingspointe Pkwy  
 Orlando, FL 32819  
 www.fascomp.com  
 Tel: (407) 226-2112  
 Fax: (407) 226-3370

This document is the property of Fascomp Inc. and shall not be reproduced, distributed, or used as a basis for manufacturing without written permission from Fascomp Inc.