



PART NAME

# PRINTED CIRCUIT BOARD

PART No.

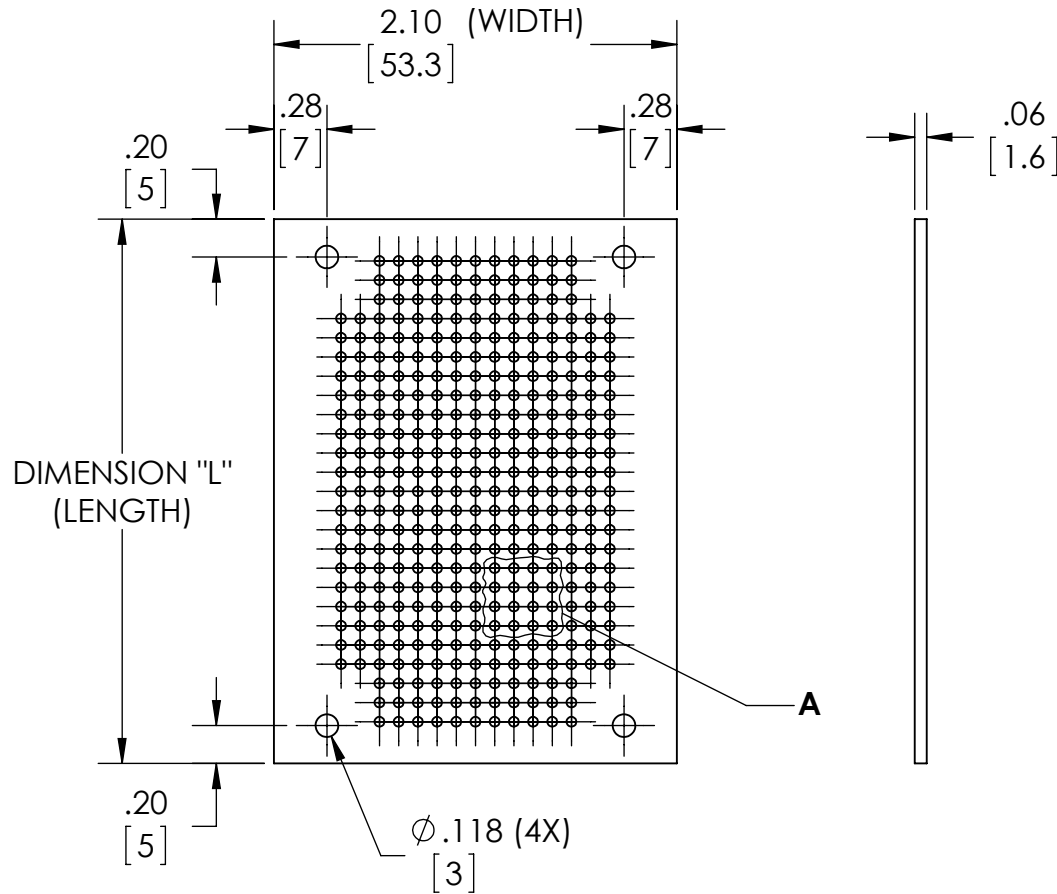
EXN-23400-PCB EXN-23401-PCB  
EXN-23402-PCB

REV. DATE

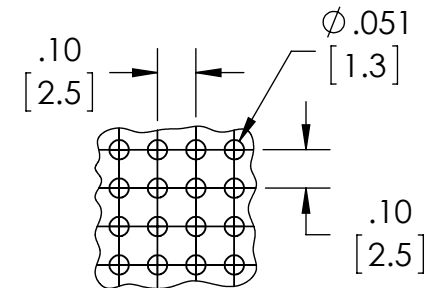
10-13-15

### DRAWING FOR REFERENCE

WE RESERVE THE RIGHT TO MAKE CHANGES TO OUR STANDARD PRODUCTS. PLEASE CONSULT WITH BUD INDUSTRIES PRIOR TO USING THIS DRAWING FOR DESIGN PURPOSE.



MATERIAL: GREEN SILICON  
DIMENSIONS IN INCH[MM]



**DETAIL A**  
**SCALE 2 : 1**

CIRCUIT BOARD PART NUMBER	DIMENSION "L" CIRCUIT BOARD LENGTH	FITS EXN-SERIES ENCLOSURES WITH ALUMINUM END PANELS:	FITS EXN-SERIES ENCLOSURES WITH PLASTIC END PANELS:
EXN-23400-PCB	1.26 [32]	EXN-23350-GD, -SV, -RD, -BL, -BK	EXN-23350-GDP, -SVP, -RDP, -BLP, -BKP
EXN-23401-PCB	2.83 [72]	EXN-23351-GD, -SV, -RD, -BL, -BK	EXN-23351-GDP, -SVP, -RDP, -BLP, -BKP
EXN-23402-PCB	4.41 [112]	EXN-23352-GD, -SV, -RD, -BL, -BK	EXN-23352-GDP, -SVP, -RDP, -BLP, -BKP