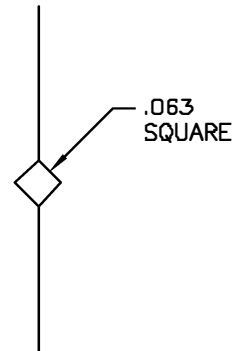
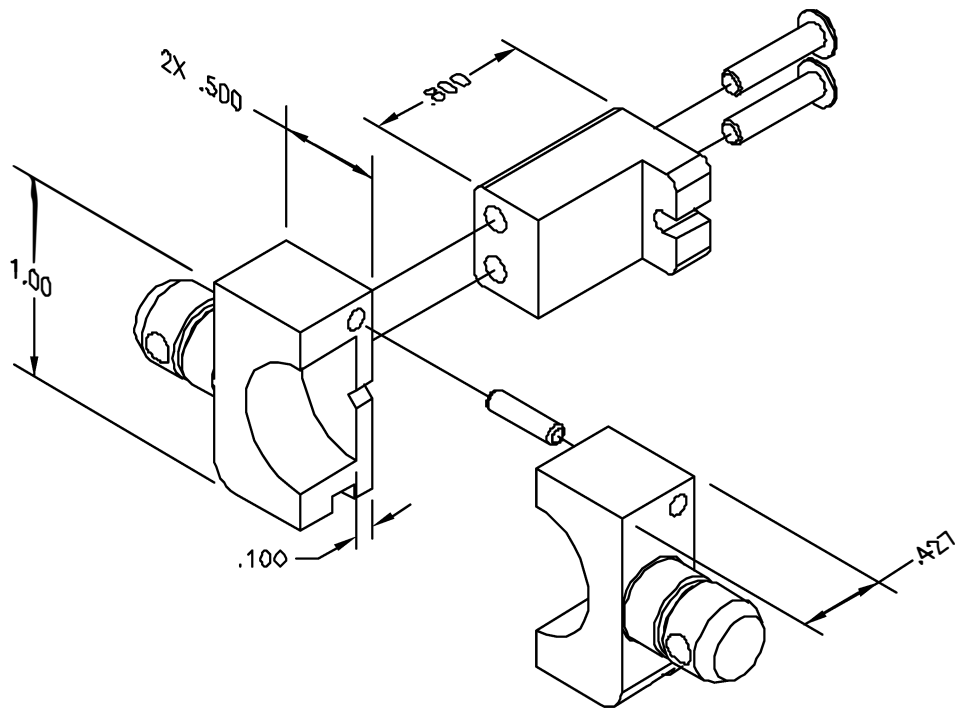



REVISIONS				
REV. SYN.	ECO NUMBER	DESCRIPTIONS	BY DATE	APP'D DATE
1		ORIGINAL RELEASE	K. KOONS 8/18/02	RRR 9/18/02



GAGING DIMENSIONS

**UNCONTROLLED DOCUMENT
WILL NOT BE UPDATED**

RESTRICTED & CONFIDENTIAL		MATERIAL		ITEM	PART NO.	QTY.	DESCRIPTION/REMARKS
CONFIDENTIAL PROPERTY OF DANIELS MANUFACTURING CORP. NOT TO BE DISCLOSED TO OTHERS, REPRODUCED OR USED FOR ANY OTHER PURPOSE, EXCEPT AS AUTHORIZED IN WRITING BY DANIELS MANUFACTURING. MUST BE RETURNED TO DANIELS MANUFACTURING CORP. ON COMPLETION OF ORDER OR OTHER PURPOSE FOR WHICH LENT.		HEAT TREAT		DRN. K. KOONS	DATE 9/18/02	 DANIELS MANUFACTURING CORP ORLANDO, FLORIDA CAGE 11851	
		FINISH		CHK'D. RRR	DATE 8/18/02		
		DO NOT SCALE DRAWING		APPR'D.	DATE		
				APPR'D.	DATE	TITLE DIE SET ENVELOPE DRAWING	
				WHERE USED:		SHEET OF	
				SIZE B	SCALE NTS	CAD P/N Y1840P-ENV	1 1
				POSTING		P/N Y1840P-ENV	REV. 1