

UPT-08-03.0-03-L-PV

UPT-04-01-01-L-RA

UPT SERIES

(3.81 mm) .150"

DUAL BLADE 20 A POWER HEADER

SPECIFICATIONS

For complete specifications see www.samtec.com?UPT

Insulator Material: Black LCP

Terminal Material: BeCu

Plating: Sn or Au over 50 μm (1.27 μm) Ni

Operating Temp Range: -55 °C to +105 °C with Tin; -55 °C to +125 °C with Gold

Voltage Rating: 438 VAC/620 VDC

Standard Creepage: (5.5 mm) .217" (with -V)

(2.97 mm) .117" (with -RA)

Standard Clearance: (1.51 mm) .059"

RoHS Compliant: Yes

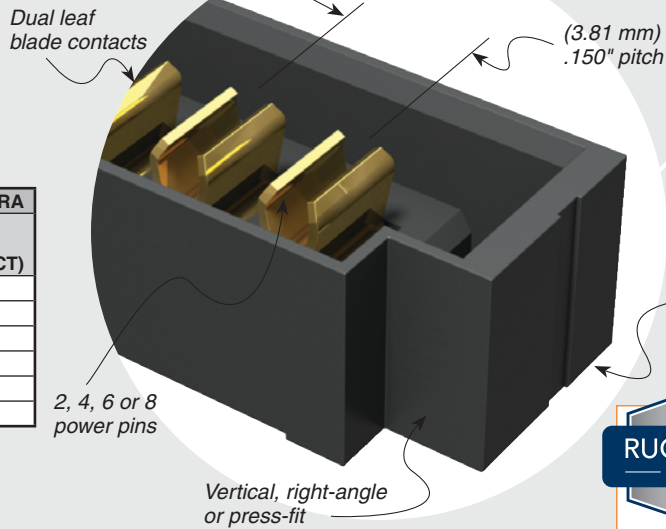
Lead-Free Solderable: Yes

Yes

Mates with: UPS

PINS	UPT-V/UPS-V	UPT-RA/UPS-RA
	CURRENT RATING (PER CONTACT)	CURRENT RATING (PER CONTACT)
1	23 A	23.5 A
2	18.6 A	20.1 A
3	17.5 A	16.9 A
4	16.7 A	15.5 A
8	14 A	13.3 A

-L PLATING

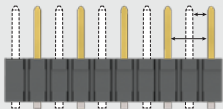


RECOGNITIONS

For complete scope of recognitions see www.samtec.com/quality



CREEPAGE AND CLEARANCE



Selectively loading contacts achieves customer specific creepage and clearance requirements. Contact asp@samtec.com

ALSO AVAILABLE (MOQ Required)

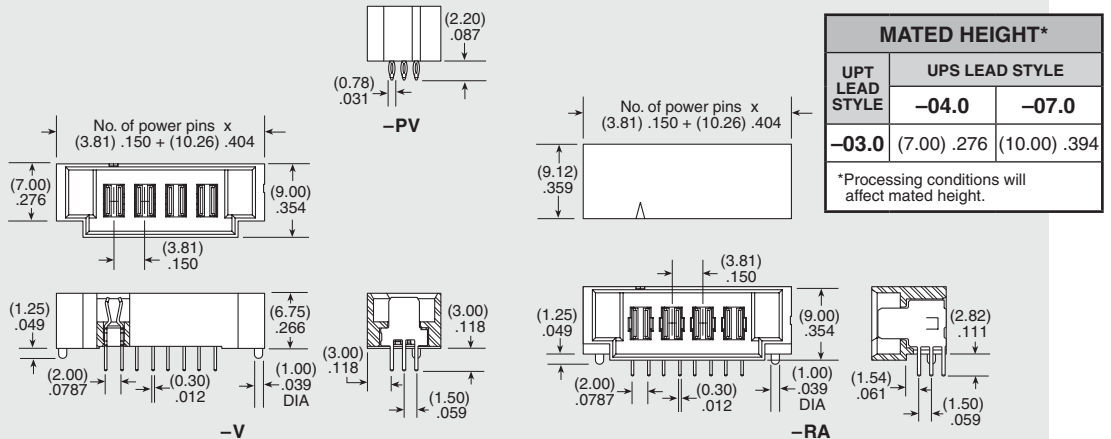
- Solder leads for (2.36 mm) .093" thick board

TOOLING

Press-fit tooling available.

Note: Some sizes, styles and options are non-standard, non-returnable.

UPT	POWER PINS	LEAD STYLE	TAIL LENGTH	PLATING OPTION	TAIL	OTHER OPTION
-02, -04, -06, -08	-01 = RA only -03.0 = (03.0 mm) .118" (-V & -PV only)	-01 = Use with (1.60 mm) .062" Thick PCB (-V & -RA only) -03 = Use with (1.60 mm) .062" Thick PCB (-PV only)	-L = 10 μm (0.25 μm) Gold on contact, Matte Tin on tail -T = Matte Tin (-RA option only)	-V = Vertical (Not available with -T plating) -RA = Right-angle -PV = Press-fit, Vertical	-LC = Locking Clip (Manual placement required) Not available with -PV option	



Due to technical progress, all designs, specifications and components are subject to change without notice.