



## CATALOGUE

## X-Lok Connector

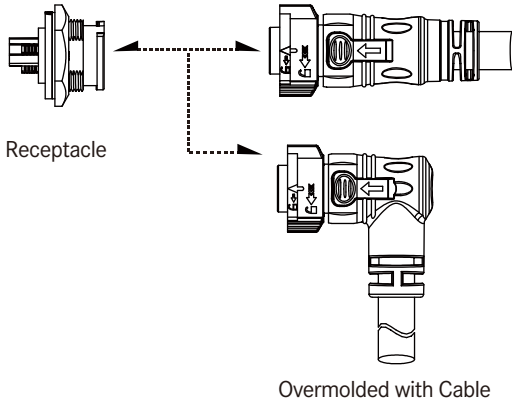




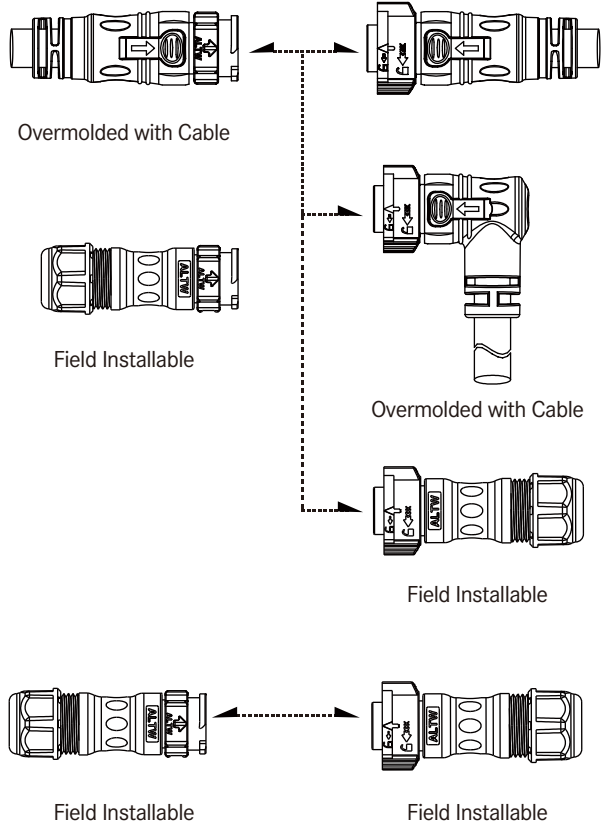
【Note】 Design and specification are subject to change without notice.

# Range Overview

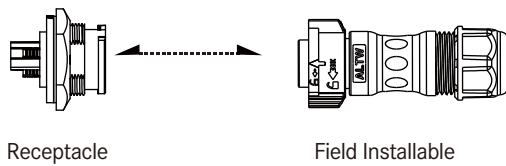
## Receptacle to Overmolded with Cable



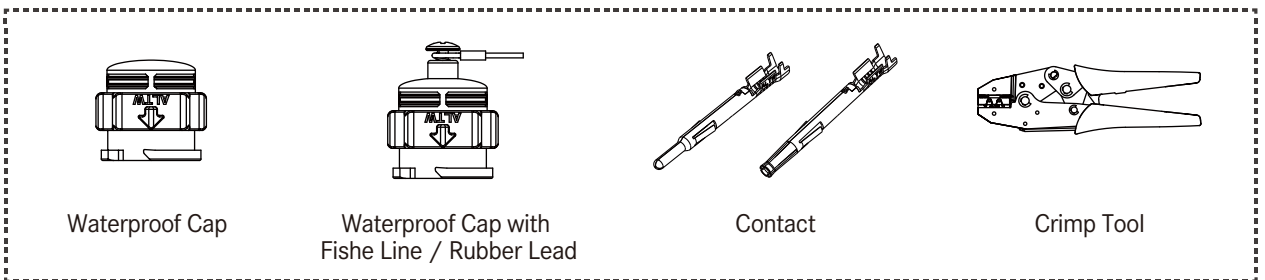
## In-Line



## Receptacle to Field Installable



## Accessories



## Specification

<b>Identifications</b>	Power Group (B,C,D size) Data Group (B,C,D size) Hybrid Group (B,C,D size)
<b>Mating Style</b>	Push Lock
<b>Description</b>	Receptacle Overmolded with Cable Field Installable
<b>Current Rating / Data</b>	B size (5A, 10A, 10A+5A) C size (5A, 10A, 20A, 10A+5A) D size (5A, 20A, 20A+5A)
<b>Material</b>	Contacts: Copper Alloy, Gold Plated Connector Body (Housing) : Nylon+GF, UL Recognized Gasket & O-ring: Rubber, UL Recognized
<b>Waterproof Rating</b>	IP68
<b>Temperature Range</b>	Receptacle: -40°C~105°C Overmolded With Cable: <ul style="list-style-type: none"> <li>• Date Group: -20°C~80°C</li> <li>• Power Group: -20°C~105°C</li> <li>• Hybrid Group: -40°C~105°C</li> </ul> Field Installable: -40°C~105°C
<b>Contact Resistance</b>	≤10mΩ
<b>Insulation Resistance</b>	≥100MΩ at DC500V
<b>Durability</b>	1000 cycles
<b>Dielectric Withstand Voltage</b>	1,000V plus 2 times the rated voltage / 1 minute
<b>More to know</b>	Standard Cable Length: 01~99M

【Note】 Design and specification are subject to change without notice.

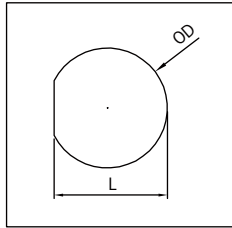
# Ordering Information

<b>1</b>	<b>2</b>	<b>3</b>	<b>4</b>	<b>5</b>	<b>6</b>	<b>7</b>	<b>8</b>	<b>9</b>	<b>10</b>
<b>Specification / Current Rating</b>									
<u>≥ Standard Size</u>			<u>≥ Middle Size</u>			<u>≥ Large Size</u>			
(BD) 5A			(CD) 5A			(DD) 5A			
(BB) 10A			(CB) 10A			(DC) 20A			
(BBB) 10A+5A			(CC) 20A			(DCD) 20A+5A			
			(CBD) 10A+5A						
<b>Number of Contacts</b>									
02, 03.... e.g. (02) = 2 Contacts									
<b>Connector Body (Style)</b>									
<u>≥ For Receptacle</u>			<u>≥ For Overmolded with Cable</u>			<u>≥ For Field Installable</u>			
(P) Front Fastened			(A) With Strain Relief			(B) With Strain Relief			
(R) Rear Fastened									
<b>Connector (Housing) Gender</b>									
(M) Male Connector					(F) Female Connector				
<b>Contact Gender</b>									
(M) Male									
(F) Female									
<b>Assemble Style</b>									
<u>≥ For Receptacle</u>			<u>≥ For Overmolded with Cable</u>			<u>≥ For Field Installable</u>			
(S) Solder Type			(M) Overmolded with Cable			(A) Crimp Type			
(B) Screw in Type									
<b>Mating Style</b>									
(Q) Push Lock									
<b>Backshell</b>									
<u>≥ For Receptacle</u>			<u>≥ For Overmolded with Cable</u>						
(C) Circular			(L) Straight						
(S) Square			(R) Right Angle						
<b>Waterproof Rating</b>									
(8) IP68									
<b>More Information</b>									
<u>≥ For Receptacle</u>			<u>≥ For Overmolded with Cable</u>			<u>≥ For Field Installable</u>			
(001), (002) .....			(□)+(■) : Cable Type + Cable Length			(□)+(■)+(○) : Seal Size + Package Options + Application			
For Data Group & Different Versions			e.g. (A01) = UL2464 Cable + 1M			e.g. (SN0) = Seal S + Connector without Contact + for Data Group			
(00P) For Power Group			<u>(□) : Cable Type</u> (A) UL2464 Cable - Upon request (D) UL21388 Cable - Data Group (E) UL SJTW Cable - Power Group (F) UL21996 Cable - Hybrid Group			<u>(■) : Cable Length</u> From 1M to 99M e.g. (01) = 1M			
			<u>(□) : Seal Type</u> B Size: (S) 5.0~6.0mm (M) 6.0~8.0mm (L) 8.0~10.0mm			<u>(■) : Package Options</u> (N) Connector without Contact* (P) Connector with Contacts		<u>(○) : Application</u> (O) For Data Group (P) For Power Group	
						* Contacts are available to be sold in bulk individually. For further information, please refer to page 20-22.			
			C Size: (S) 6.0~8.0mm (M) 8.0~10.0mm (L) 10.0~12.0mm						
			D Size: (S) 8.0~10.0mm (M) 10.0~12.0mm (L) 12.0~14.0mm						

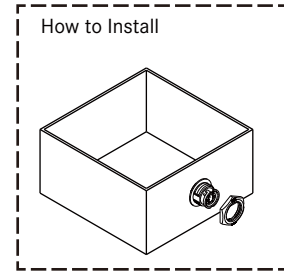
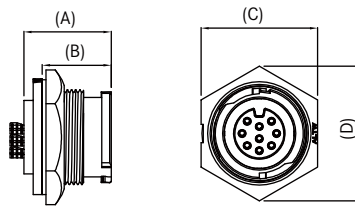
# Physical Dimension | Data Group

## Receptacle

Panel Cut-out



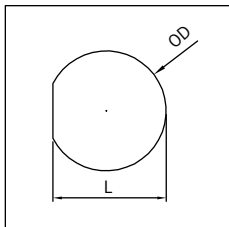
Front Fastened



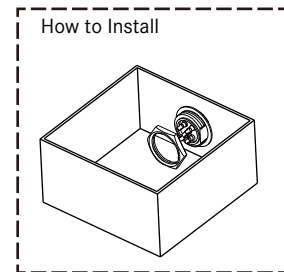
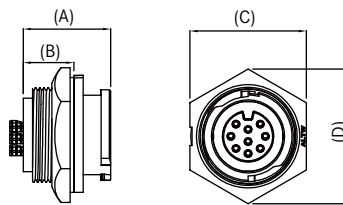
Size	Current Rating (Code)	L	OD	A	B	C	D	Pannel Thickness Max.
B	5A (BD)	14.8	15.6	18.8	14.0	20.6	23.7	4
	10A (BB)							
C	5A (CD)	19.4	20.8	19.0	15.0	25.4	29.3	4.2
	10A (CB)							
D	5A (DD)	23.6	25.6	18.0	14.9	28.6	33.0	3.6

Unit: mm

Panel Cut-out



Rear Fastened

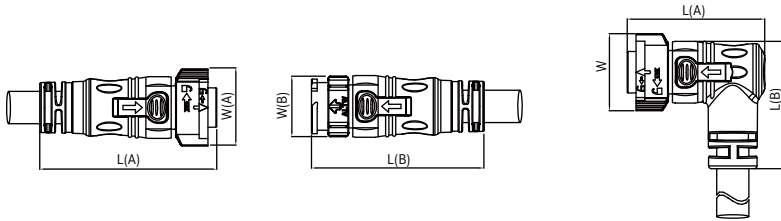


Size	Current Rating (Code)	L	OD	A	B	C	D	Panel Thickness Max.
B	5A (BD)	14.8	15.6	18.6	10.8	20.6	23.7	4.5
	10A (BB)							
C	5A (CD)	19.4	20.8	19.0	11.0	25.4	29.3	4.2
	10A (CB)							
D	5A (DD)	23.6	25.6	18.0	14.9	28.6	33.0	3.6

Unit: mm

[Note] Design and specification are subject to change without notice.

∟ **Overmolded With Cable**



Size	Current Rating (Code)	Straight Style				Right Angle Style		
		L		W		L(A)	L(B)	W
		Female (A)	Male (B)	Female (A)	Male (B)	Female		
B	5A (BD)	53.4	53.0	25.0	20.1	45.2	34.5	25.0
	10A (BB)							
C	5A (CD)	64.2	62.7	28.0	22.4	50.0	46.2	28.0
	10A (CB)							
D	5A (DD)	62.4	61.8	36.0	27.0	63.0	49.5	36.0

Unit: mm

∟ **Field Installable**



Size	Current Rating (Code)	Straight Style				Seal Size		
		L		W		S	M	L
		Female (A)	Male (B)	Female (A)	Male (B)			
B	5A (BD)	66.2	66.0	25.0	20.0	5.0~6.0	6.0~8.0	8.0~10.0
	10A (BB)							
C	5A (CD)	64.2	62.7	28.0	22.4	6.0~8.0	8.0~10.0	10.0~12.0
	10A (CB)							
	20A (CC)							
D	5A (BD)	70.2	69.0	36.0	27.0	8.0~10.0	10.0~12.0	12.0~14.0
	10A (BB)							

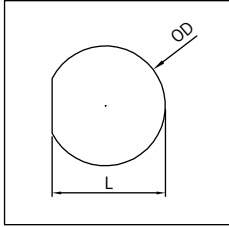
Unit: mm



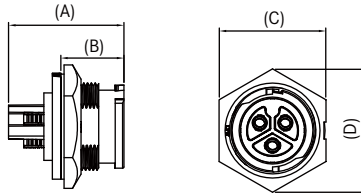
# Physical Dimension | Power Group

## Receptacle

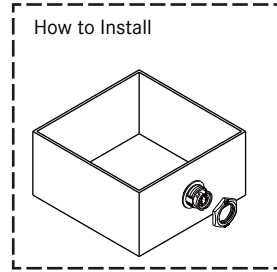
Panel Cut-out



Front Fastened



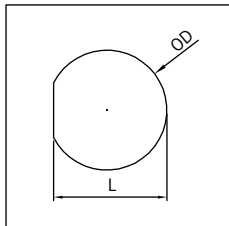
How to Install



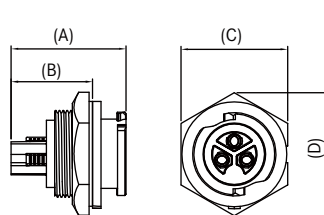
Size	Current Rating (Code)	L	OD	A	B	C	D	Panel Thickness Max.
B	5A (BD)	14.8	15.6	18.8	14.0	20.6	23.7	4
	10A (BB)							
C	20A (CC)	19.4	20.8	27.4	15.0	25.4	29.3	4.2
D	20A (DC)	23.6	25.6	26.3	14.9	28.6	33.0	3.6

Unit: mm

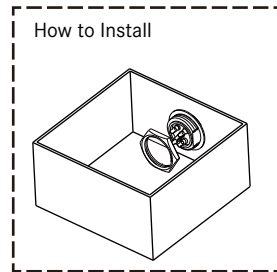
Panel Cut-out



Rear Fastened



How to Install

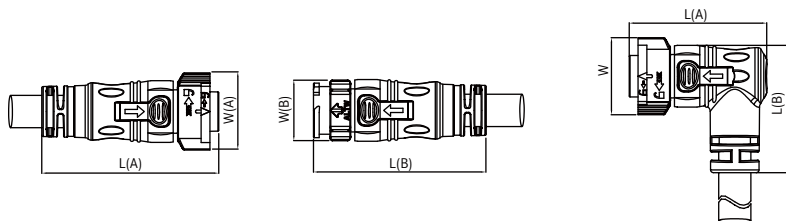


Size	Current Rating (Code)	L	OD	A	B	C	D	Panel Thickness Max.
B	5A (BD)	14.8	15.6	18.6	10.8	20.6	23.7	4.5
	10A (BB)							
C	20A (CC)	19.4	20.8	27.4	19.4	25.4	29.3	4.2
D	20A (DC)	23.6	25.6	26.3	18.1	28.6	33.0	3.6

Unit: mm

[Note] Design and specification are subject to change without notice.

∟ **Overmolded With Cable**



Size	Current Rating (Code)	Straight Style				Right Angle Style		
		L		W		L(A)	L(B)	W
		Female (A)	Male (B)	Female (A)	Male (B)	Female		
B	5A (BD)	53.4	53.0	25.0	20.1	45.2	34.5	25.0
	10A (BB)							
C	5A (CD)	64.2	62.7	28.0	22.4	50.0	46.2	28.0
	10A (CB)							
	20A (CC)							
D	5A (DD)	62.4	61.8	36.0	27.0	63.0	49.5	36.0

Unit: mm

∟ **Field Installable**



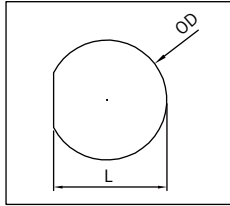
Size	Current Rating (Code)	Straight Style				Seal Size		
		L		W		S	M	L
		Female (A)	Male (B)	Female (A)	Male (B)			
B	5A (BD)	66.2	66.0	25.0	20.0	5.0~6.0	6.0~8.0	8.0~10.0
	10A (BB)							
C	5A (CD)	64.2	62.7	28.0	22.4	6.0~8.0	8.0~10.0	10.0~12.0
	10A (CB)							
	20A (CC)							
D	5A (BD)	70.2	69.0	36.0	27.0	8.0~10.0	10.0~12.0	12.0~14.0
	10A (BB)							

Unit: mm

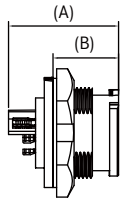
# Physical Dimension | Hybrid Group

## Receptacle

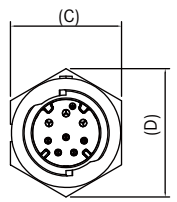
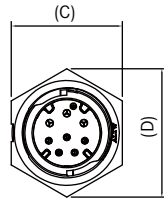
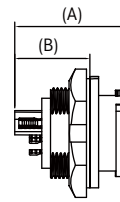
Panel Cut-out



Front Fastened



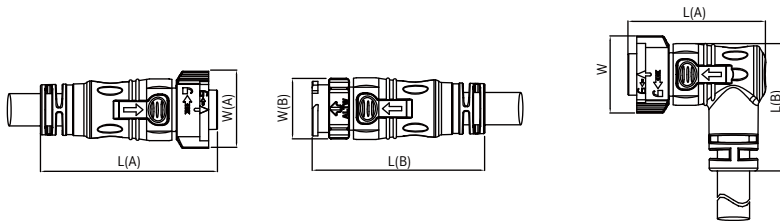
Rear Fastened



Size	Current Rating (Code)	Fasten Style	L	OD	A	B	C	D	Panel Thickness Max.
B	10A+5A (BBD)	Front	14.8	15.6	26.0	14.0	20.6	23.7	4
		Rear	14.8	15.6	24.9	17.0	20.6	23.7	4.5
C	10A+5A (CBD)	Front	19.4	20.8	25.2	15.0	25.4	29.3	4.2
		Rear	19.4	20.8	25.2	17.2	25.4	29.3	4.2
D	20A+5A (DCD)	Front	23.6	25.6	24.1	14.9	28.6	33.0	3.6
		Rear	23.6	25.6	24.1	15.9	28.6	33.0	3.6

Unit: mm

## Overmolded With Cable



Size	Current Rating (Code)	Straight Style				Right Angle Style		
		L		W		L(A)	L(B)	W
		Female (A)	Male (B)	Female (A)	Male (B)	Female		
B	10A+5A (BBD)	53.4	53.0	25.0	20.1	45.2	34.5	25.0
C	10A+5A (CBD)	64.2	62.7	28.0	22.4	50.0	46.2	28.0
D	20A+5A (DCD)	62.4	61.8	36.0	27.0	63.0	49.5	36.0

Unit: mm

【Note】 Design and specification are subject to change without notice.

# Contact Configuration

	Standard Size (B)										Middle			
	Data				Power				Hybrid		Data			
	5A (BD)		10A (BB)		5A (BD)		10A (BB)		10A+5A (BBD)		5A (CD)		10A (CB)	
4 5	MM or FF	MF or FM	MM or FF	MF or FM	MM or FF	MF or FM	MM or FF	MF or FM	MM or FF	MF or FM	MM or FF	MF or FM	MM or FF	MF or FM
2 Pin (02)														
	R   C   F	R   C   F	R   C	R   C			R   C   F	R   C   F						
3 Pin (03)														
	R   C   F	R   C   F	R   C	R   C	R   C	R   C	R   C   F	R   C   F	R   C	R   C				
4 Pin (04)														
	R   C   F	R   C   F	R   C				R   C   F		R   C	R   C			R   C   F	R   C   F
5 Pin (05)														
	R   C   F	R   C   F							R   C	R   C			R   C   F	R   C   F
6 Pin (06)														
	R   C   F	R   C   F							R   C	R   C			R   C   F	
7 Pin (07)														
	R   C   F										R   C   F	R   C   F		
8 Pin (08)														
	R   C   F										R   C   F	R   C   F		
9 Pin (09)														
											R   C   F	R   C   F		
10 Pin (10)														
											R   C   F			
11 Pin (11)														
12 Pin (12)														
											R   C   F			
14 Pin (14)														
18 Pin (18)														

# X-Lok Connector | Contact Configuration

Standard Size (5A | 10A | 10A+5A) | Middle Size (5A | 10A | 20A | 10A+5A) | Large Size (5A | 20A | 20A+5A)

Size (C)				Large Size (D)									
Power		Hybrid		Data		Power		Hybrid					
20A (CC)		10A+5A (CBD)		5A (DD)		20A (DC)		20A+5A (DCD)					
MM or FF	MF or FM	MM or FF	MF or FM	MM or FF	MF or FM	MM or FF	MF or FM	MM or FF	MF or FM	MM or FF	MF or FM	MM or FF	MF or FM
R   C   F	R   C   F					R   C   F	R   C   F						
R   C   F	R   C   F					R   C   F	R   C   F						
		R   C	R   C					R   C	R   C				
		R   C	R   C			R   C   F	R   C   F	R   C	R   C				
		R   C	R   C					R   C	R   C				
		R   C	R   C					R   C	R   C				
		R   C	R   C					R   C	R   C				
								R   C	R   C				
								R   C	R   C				
								R   C	R   C				
						R   C   F							
				R   C   F	R   C   F								
				R   C   F	R   C   F								

**R:** Receptacle  
**C:** Overmolded with Cable  
**F:** Field Installable

- 5A (BD/CD/DD) 1
- 10A (BB/CB)
- 20A (CC/DC)
- 10A + 5A (BBD)
- 20A + 5A (DCD)

**Number of Contacts:** 2  
 e.g. 3 Pin (03)

**Connector (Housing) Gender:** 4  
 Male (M) or Female (F)

**Contact Gender:** 5  
 Male (M) or Female (F)

**More to Choose:** 6

- Solder (S)
- Crimp (A)

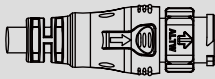
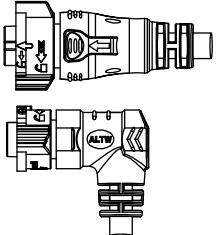
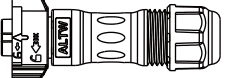

For receptacle and overmolded with cable

For field installable

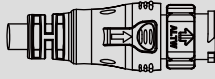
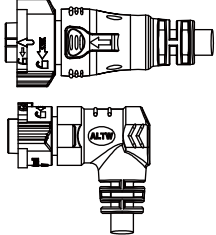
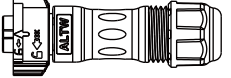

[Note] Design and specification are subject to change without notice.

# Find Our Standard Products

## Standard Size: 5/8"-27 UNS > In-line

<ul style="list-style-type: none"> <li>• Male Connector (Housing)</li> <li>• Male Contacts</li> <li>• Push Lock</li> </ul>					  ASSP- 2 FAC 6 P/N refers to page 20-22
Group	Current Rating (Code)	Contacts 2	Male Connector (M) Male Contacts (M)	Female Connector (F) Female Contacts (F)	Female Connector (F) Female Contacts (F)
Data	5A (BD)	02,03,04,05,06,07,08	BD- 2 AMMM-QL8DXX*	BD- 2 AFFM-QL8DXX* BD- 2 AFFM-QR8DXX*	BD- 2 BFFA-QL8X <sup>1</sup> X <sup>2</sup> 0**
	10A (BB)	02,03,04	BB- 2 AMMM-QL8DXX*	BB- 2 AFFM-QL8DXX* BB- 2 AFFM-QR8DXX*	-
Power	5A (BD)	03	BD-03AMMM-QL8EXX*	BD-03AFFM-QL8EXX* BD-03AFFM-QR8EXX*	-
	10A (BB)	02,03,04	BB- 2 AMMM-QL8EXX*	BB- 2 AFFM-QL8EXX* BB- 2 AFFM-QR8EXX*	BB- 2 BFFA-QL8X <sup>1</sup> X <sup>2</sup> P**
Hybrid	10A+5A (BBD)	06	BBD-06AMMM-QL8FXX*	BBD-06AFFM-QL8FXX* BBD-06AFFM-QR8FXX*	-

## Standard Size: 5/8"-27 UNS > In-line

<ul style="list-style-type: none"> <li>• Male Connector (Housing)</li> <li>• Female Contacts</li> <li>• Push Lock</li> </ul>					  ASSP- 2 FAC 6 P/N refers to page 20-22
Group	Current Rating (Code)	Contacts 2	Male Connector (M) Female Contacts (F)	Female Connector (F) Male Contacts (M)	Female Connector (F) Male Contacts (M)
Data	5A (BD)	02,03,04,05,06	BD- 2 AMFM-QL8DXX*	BD- 2 AFMM-QL8DXX* BD- 2 AFMM-QR8DXX*	BD- 2 BFMA-QL8X <sup>1</sup> X <sup>2</sup> 0**
	10A (BB)	02,03,04	BB- 2 AMFM-QL8DXX*	BB- 2 AFMM-QL8DXX* BB- 2 AFMM-QR8DXX*	-
Power	5A (BD)	03	BD-03AMFM-QL8EXX*	BD-03AFMM-QL8EXX* BD-03AFMM-QR8EXX*	-
	10A (BB)	02,03	BB- 2 AMFM-QL8EXX*	BB- 2 AFMM-QL8EXX* BB- 2 AFMM-QR8EXX*	BB- 2 BFMA-QL8X <sup>1</sup> X <sup>2</sup> P**
Hybrid	10A+5A (BBD)	06	BBD-06AMFM-QL8FXX*	BBD-06AFMM-QL8FXX* BBD-06AFMM-QR8FXX*	-

\*XX: Choose the cable length from 01-99 m

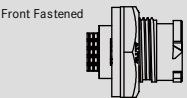
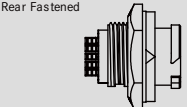
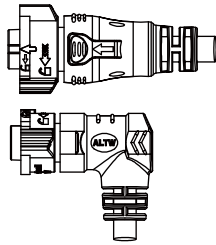
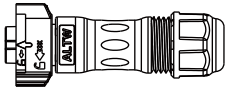

\*\*X<sup>1</sup>X<sup>2</sup>: Seal Size + Package Options  
e.g. (SN) = Seal S + Connector without Contact

X<sup>1</sup>: Seal Size  
(S) 5.0~6.0mm  
(M) 6.0~8.0mm  
(L) 8.0~10.0mm

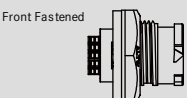
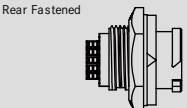
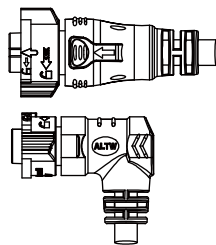
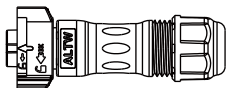

X<sup>2</sup>: Package Options  
(N) Connector without Contact  
(P) Connector with Contacts

[Contacts are available to be sold in bulk individually. For further information, please refer to page 20-22.]

Standard Size: 5/8"-27 UNS > Receptacle and Mating Pair

<ul style="list-style-type: none"> <li>• Male Connector (Housing)</li> <li>• Male Contacts</li> <li>• Push Lock</li> </ul>			<p>Receptacle</p> <p>Front Fastened</p>  <p>Rear Fastened</p> 	<p>Overmolded with Cable</p> 	<p>Field Installable</p>   <p>ASSP- 2 FAC 6 P/N refers to page 20-22</p>
Group	Current Rating (Code)	Contacts 2	Male Connector (M) Male Contacts (M)	Female Connector (F) Female Contacts (F)	Female Connector (F) Female Contacts (F)
Data	5A (BD)	02,03,04,05,06,07,08	BD- 2 PMMS-QC8001 BD- 2 RMMS-QC8001	BD- 2 AFFM-QL8DXX* BD- 2 AFFM-QR8DXX*	BD- 2 BFFA-QL8X <sup>1</sup> X <sup>2</sup> 0**
	10A (BB)	02,03,04	BB- 2 PMMS-QC8001 BB- 2 RMMS-QC8001	BB- 2 AFFM-QL8DXX* BB- 2 AFFM-QR8DXX*	-
Power	5A (BD)	03	BD-03PMMS-QC800P BD-03RMMS-QC800P	BD-03AFFM-QL8EXX* BD-03AFFM-QR8EXX*	-
	10A (BB)	02,03,04	BB- 2 PMMS-QC800P BB- 2 RMMS-QC800P	BB- 2 AFFM-QL8EXX* BB- 2 AFFM-QR8EXX*	BB- 2 BFFA-QL8X <sup>1</sup> X <sup>2</sup> P**
Hybrid	10A+5A (BBD)	06	BBD-06PMMS-QC8001 BBD-06RMMS-QC8001	BBD-06AFFM-QL8FXX* BBD-06AFFM-QR8FXX*	-

Standard Size: 5/8"-27 UNS > Receptacle and Mating Pair

<ul style="list-style-type: none"> <li>• Male Connector (Housing)</li> <li>• Male Contacts</li> <li>• Push Lock</li> </ul>			<p>Receptacle</p> <p>Front Fastened</p>  <p>Rear Fastened</p> 	<p>Overmolded with Cable</p> 	<p>Field Installable</p>   <p>ASSP- 2 FAC 6 P/N refers to page 20-22</p>
Group	Current Rating (Code)	Contacts 2	Male Connector (M) Female Contacts (F)	Female Connector (F) Male Contacts (M)	Female Connector (F) Male Contacts (M)
Data	5A (BD)	02,03,04,05,06	BD- 2 RMFS-QC8001 BD- 2 PMFS-QC8001	BD- 2 AFMM-QL8DXX* BD- 2 AFMM-QR8DXX*	BD- 2 BFMA-QL8X <sup>1</sup> X <sup>2</sup> 0**
	10A (BB)	02,03	BB- 2 RMFS-QC8001 BB- 2 PMFS-QC8001	BB- 2 AFMM-QL8DXX* BB- 2 AFMM-QR8DXX*	-
Power	5A (BD)	03	BD-03RMFS-QC800P BD-03PMFS-QC800P	BD-03AFMM-QL8EXX* BD-03AFMM-QR8EXX*	-
	10A (BB)	02,03	BB- 2 RMFS-QC800P BB- 2 PMFS-QC800P	BB- 2 AFMM-QL8EXX* BB- 2 AFMM-QR8EXX*	BB- 2 BFMA-QL8X <sup>1</sup> X <sup>2</sup> P**
Hybrid	10A+5A (BBD)	06	BBD-06RMFS-QC8001 BBD-06PMFS-QC8001	BBD-06AFMM-QL8FXX* BBD-06AFMM-QR8FXX*	-

\*XX: Choose the cable length from 01-99 m

\*\*X<sup>1</sup>X<sup>2</sup>: Seal Size + Package Options  
e.g. (SN) = Seal S + Connector without Contact

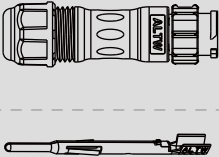
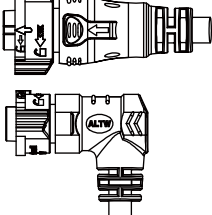
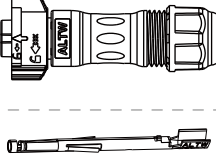
X<sup>1</sup>: Seal Size  
(S) 5.0-6.0mm  
(M) 6.0-8.0mm  
(L) 8.0-10.0mm

X<sup>2</sup>: Package Options  
(N) Connector without Contact  
(P) Connector with Contacts

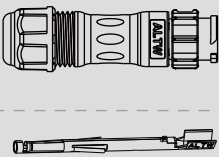
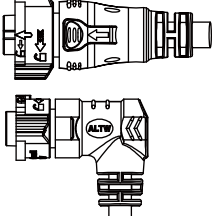
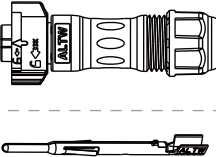
[Contacts are available to be sold in bulk individually. For further information, please refer to page 20-22.]

[Note] Design and specification are subject to change without notice.

Standard Size: 5/8"-27 UNS > In-Line

<ul style="list-style-type: none"> <li>• Male Connector (Housing)</li> <li>• Male Contacts</li> <li>• Push Lock</li> </ul>			<p>Field Installable</p>  <p>ASSP- 2 FAC 6 P/N refers to page xxx</p>	<p>Overmolded with Cable</p> 	<p>Field Installable</p>  <p>ASSP- 2 FAC 6 P/N refers to page 20-22</p>
Group	Current Rating (Code)	Contacts 2	Male Connector (M) Male Contacts (M)	Female Connector (F) Female Contacts (F)	Female Connector (F) Female Contacts (F)
Data	5A (BD)	02,03,04,05,06,07,08	BD- 2 BMMA-QL8X <sup>1</sup> X <sup>2</sup> 0**	BD- 2 AFFM-QL8DXX* BD- 2 AFFM-QR8DXX*	BD- 2 BFFA-QL8X <sup>1</sup> X <sup>2</sup> 0**
Power	10A (BB)	02,03,04	BD- 2 BMMA-QL8X <sup>1</sup> X <sup>2</sup> P**	BB- 2 AFFM-QL8DXX* BB- 2 AFFM-QR8DXX*	BD- 2 BFFA-QL8X <sup>1</sup> X <sup>2</sup> P**

Standard Size: 5/8"-27 UNS > In-Line

			<p>Field Installable</p>  <p>ASSP- 2 FAC 6 P/N refers to page xxx</p>	<p>Overmolded with Cable</p> 	<p>Field Installable</p>  <p>ASSP- 2 FAC 6 P/N refers to page 20-22</p>
Group	Current Rating (Code)	Contacts 2	Male Connector (M) Female Contacts (F)	Female Connector (F) Male Contacts (M)	Female Connector (F) Male Contacts (M)
Data	5A (BD)	02,03,04,05,06	BD- 2 BMFA-QL8X <sup>1</sup> X <sup>2</sup> 0**	BD- 2 AFMM-QL8DXX* BD- 2 AFMM-QR8DXX*	BD- 2 BFMA-QL8X <sup>1</sup> X <sup>2</sup> 0**
Power	10A (BB)	02,03	BB- 2 BMFA-QL8X <sup>1</sup> X <sup>2</sup> P**	BB- 2 AFMM-QL8DXX* BB- 2 AFMM-QR8DXX*	BB- 2 BFMA-QL8X <sup>1</sup> X <sup>2</sup> P**

\*XX: Choose the cable length from 01-99 m

\*\*X<sup>1</sup>X<sup>2</sup>: Seal Size + Package Options  
e.g. (SN) = Seal S + Connector without Contact

X<sup>1</sup>: Seal Size  
(S) 5.0~6.0mm  
(M) 6.0~8.0mm  
(L) 8.0~10.0mm

X<sup>2</sup>: Package Options  
(N) Connector without Contact  
(P) Connector with Contacts

[Contacts are available to be sold in bulk individually. For further information, please refer to page 20-22.]



▾ Middle Size 13/16"-28UNS > Receptacle and Mating Pair

<ul style="list-style-type: none"> <li>• Male Connector (Housing)</li> <li>• Male Contacts</li> <li>• Push Lock</li> </ul>			<p>Receptacle</p>	<p>Overmolded with Cable</p>	<p>Field Installable</p> <p>ASSP- 2 FAC 6 P/N refers to page 20-22</p>
Group	Current Rating (Code)	Contacts 2	Male Connector (M) Male Contacts (M)	Female Connector (F) Female Contacts (F)	Female Connector (F) Female Contacts (F)
Data	5A (CD)	08,09,10,12	CD- 2 PMMS-QC8001	CD- 2 AFFM-QL8DXX* CD- 2 AFFM-QR8DXX*	CD- 2 BFFA-QL8X <sup>1</sup> X <sup>2</sup> 0**
	10A (CB)	04,05,06	CB- 2 PMMS-QC8001	CB- 2 AFFM-QL8DXX*	CB- 2 BFFA-QL8X <sup>1</sup> X <sup>2</sup> 0**
Power	20A (CC)	02,03	CC- 2 PMMS-QC800P	CC- 2 AFFM-QL8EXX* CC- 2 AFFM-QR8EXX*	CC- 2 BFFA-QL8X <sup>1</sup> X <sup>2</sup> P**
Hybrid	10A+5A (CBD)	08	CBD-08PMMS-QC8001	CBD-08AFFM-QL8FXX* CBD-08AFFM-QR8FXX*	-

▾ Middle Size 13/16"-28UNS > Receptacle and Mating Pair

<ul style="list-style-type: none"> <li>• Male Connector (Housing)</li> <li>• Male Contacts</li> <li>• Push Lock</li> </ul>			<p>Receptacle</p>	<p>Overmolded with Cable</p>	<p>Field Installable</p> <p>ASSP- 2 FAC 6 P/N refers to page 20-22</p>
Group	Current Rating (Code)	Contacts 2	Male Connector (M) Female Contacts (F)	Female Connector (F) Male Contacts (M)	Female Connector (F) Male Contacts (M)
Data	5A (CD)	07,08,09	CD- 2 PMFS-QC8001	CD- 2 AFMM-QL8DXX* CD- 2 AFMM-QR8DXX*	CD- 2 BFMA-QL8X <sup>1</sup> X <sup>2</sup> 0**
	10A (CB)	04,05	CB- 2 PMFS-QC8001	CB- 2 AFMM-QL8DXX* CB- 2 AFMM-QL8DXX*	CB- 2 BFMA-QL8X <sup>1</sup> X <sup>2</sup> 0**
Power	20A (CC)	02,03	CC- 2 PMFS-QC800P	CC- 2 AFMM-QL8EXX* CC- 2 AFMM-QR8EXX*	CC- 2 BFMA-QL8X <sup>1</sup> X <sup>2</sup> P**
Hybrid	10A+5A (CBD)	08	CBD-08PMFS-QC8001	CBD-08AFMM-QL8FXX* CBD-08AFMM-QR8FXX*	-

\*XX: Choose the cable length from 01-99 m

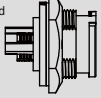
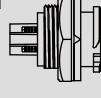
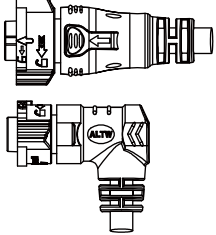
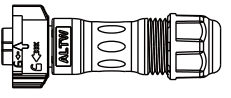

\*\*X<sup>1</sup>X<sup>2</sup>: Seal Size + Package Options  
e.g. (SN) = Seal S + Connector without Contact

X<sup>1</sup>: Seal Size  
(S) 6.0-8.0mm (N) Connector without Contact  
(M) 8.0-10.0mm (P) Connector with Contacts  
(L) 10.0-12.0mm

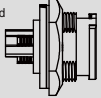
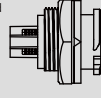
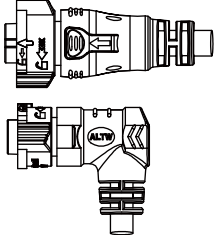

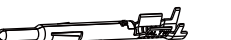
[Contacts are available to be sold in bulk individually. For further information, please refer to page 20-22.]

[Note] Design and specification are subject to change without notice.

▾ Middle Size 13/16"-28UNS > Receptacle and Mating Pair

<ul style="list-style-type: none"> <li>• Male Connector (Housing)</li> <li>• Male Contacts</li> <li>• Push Lock</li> </ul>			<p><b>Receptacle</b></p> <p>Front Fastened</p>  <p>Rear Fastened</p> 	<p><b>Overmolded with Cable</b></p> 	<p><b>Field Installable</b></p>   <p>ASSP- 2 FAC 6 P/N refers to page 20-22</p>
Group	Current Rating (Code)	Contacts 2	Male Connector (M) Male Contacts (M)	Female Connector (F) Female Contacts (F)	Female Connector (F) Female Contacts (F)
Data	5A (CD)	08,09,10,12	CD- 2 PMMS-QC8001 CD- 2 RMMS-QC8001	CD- 2 AFFM-QL8DXX* CD- 2 AFFM-QR8DXX*	CD- 2 BFFA-QL8X <sup>1</sup> X <sup>2</sup> 0**
	10A (CB)	04,05,06	CB- 2 PMMS-QC8001 CB- 2 RMMS-QC8001	CB- 2 AFFM-QL8DXX*	CB- 2 BFFA-QL8X <sup>1</sup> X <sup>2</sup> 0**
Power	20A (CC)	02,03	CC- 2 PMMS-QC800P CC- 2 RMMS-QC800P	CC- 2 AFFM-QL8EXX* CC- 2 AFFM-QR8EXX*	CC- 2 BFFA-QL8X <sup>1</sup> X <sup>2</sup> P**
Hybrid	10A+5A (CBD)	08	CBD-08PMMS-QC8001 CBD-08RMMS-QC8001	CBD-08AFFM-QL8FXX* CBD-08AFFM-QR8FXX*	-

▾ Middle Size 13/16"-28UNS > Receptacle and Mating Pair

<ul style="list-style-type: none"> <li>• Male Connector (Housing)</li> <li>• Female Contacts</li> <li>• Push Lock</li> </ul>			<p><b>Receptacle</b></p> <p>Front Fastened</p>  <p>Rear Fastened</p> 	<p><b>Overmolded with Cable</b></p> 	<p><b>Field Installable</b></p>   <p>ASSP- 2 FAC 6 P/N refers to page 20-22</p>
Group	Current Rating (Code)	Contacts 2	Male Connector (M) Female Contacts (F)	Female Connector (F) Male Contacts (M)	Female Connector (F) Male Contacts (M)
Data	5A (CD)	08,09,10,12	CD- 2 PMFS-QC8001 CD- 2 RMFS-QC8001	CD- 2 AFMM-QL8DXX* CD- 2 AFMM-QR8DXX*	CD- 2 BFMA-QL8X <sup>1</sup> X <sup>2</sup> 0**
	10A (CB)	04,05,06	CB- 2 PMFS-QC8001 CB- 2 RMFS-QC8001	CB- 2 AFMM-QL8DXX*	CB- 2 BFMA-QL8X <sup>1</sup> X <sup>2</sup> 0**
Power	20A (CC)	02,03	CC- 2 PMFS-QC800P CC- 2 RMFS-QC800P	CC- 2 AFMM-QL8EXX* CC- 2 AFMM-QR8EXX*	CC- 2 BFMA-QL8X <sup>1</sup> X <sup>2</sup> P**
Hybrid	10A+5A (CBD)	08	CBD-08PMFS-QC8001 CBD-08RMFS-QC8001	CBD-08AFMM-QL8FXX* CBD-08AFMM-QR8FXX*	-

\*XX: Choose the cable length from 01-99 m

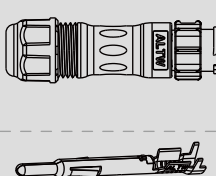
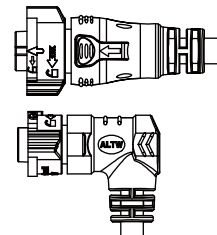
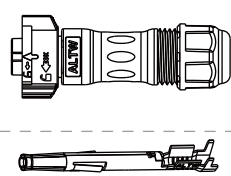
\*\*X<sup>1</sup>X<sup>2</sup>: Seal Size + Package Options  
e.g. (SN) = Seal S + Connector without Contact

X<sup>1</sup>: Seal Size  
(S) 6.0-8.0mm  
(M) 8.0-10.0mm  
(L) 10.0-12.0mm

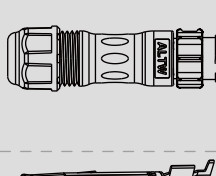
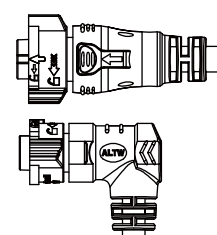
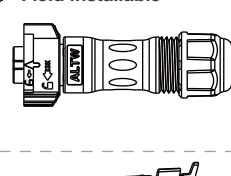
X<sup>2</sup>: Package Options  
(N) Connector without Contact  
(P) Connector with Contacts

[Contacts are available to be sold in bulk individually. For further information, please refer to page 20-22.]

▾ Middle Size 13/16"-28UNS > In-Line

<ul style="list-style-type: none"> <li>• Male Connector (Housing)</li> <li>• Male Contacts</li> <li>• Push Lock</li> </ul>			<p>Field Installable -----&gt;</p>  <p>ASSP- 2 FAC 6 P/N refers to page xxx</p>	<p>-----&gt; Overmolded with Cable</p> 	<p>-----&gt; Field Installable</p>  <p>ASSP- 2 FAC 6 P/N refers to page 20-22</p>
Group	Current Rating (Code)	Contacts 2	Male Connector (M) Male Contacts (M)	Female Connector (F) Female Contacts (F)	Female Connector (F) Female Contacts (F)
Data	5A (CD)	08,09,10,12	CD- 2 BMMA-QL8X <sup>1</sup> X <sup>2</sup> 0**	CD- 2 AFFM-QL8DXX* CD- 2 AFFM-QR8DXX*	CD- 2 BFFA-QL8X <sup>1</sup> X <sup>2</sup> 0**
	10A (CB)	04,05,06	CB- 2 BMMA-QL8X <sup>1</sup> X <sup>2</sup> 0**	CB- 2 AFFM-QL8DXX*	CB- 2 BFFA-QL8X <sup>1</sup> X <sup>2</sup> 0**
Power	20A (CC)	02,03	CC- 2 BMMA-QL8X <sup>1</sup> X <sup>2</sup> P**	CC- 2 AFFM-QL8EXX* CC- 2 AFFM-QR8EXX*	CC- 2 BFFA-QL8X <sup>1</sup> X <sup>2</sup> P**

▾ Middle Size 13/16"-28UNS > In-Line

<ul style="list-style-type: none"> <li>• Male Connector (Housing)</li> <li>• Male Contacts</li> <li>• Push Lock</li> </ul>			<p>Field Installable -----&gt;</p>  <p>ASSP- 2 FAC 6 P/N refers to page xxx</p>	<p>-----&gt; Overmolded with Cable</p> 	<p>-----&gt; Field Installable</p>  <p>ASSP- 2 FAC 6 P/N refers to page 20-22</p>
Group	Current Rating (Code)	Contacts 2	Male Connector (M) Female Contacts (F)	Female Connector (F) Male Contacts (M)	Female Connector (F) Male Contacts (M)
Data	5A (CD)	07,08,09	CD- 2 BMFA-QL8X <sup>1</sup> X <sup>2</sup> 0**	CD- 2 AFMM-QL8DXX* CD- 2 AFMM-QR8DXX*	CD- 2 BFMA-QL8X <sup>1</sup> X <sup>2</sup> 0**
	10A (CB)	04,05	CB- 2 BMFA-QL8X <sup>1</sup> X <sup>2</sup> 0**	CD- 2 AFMM-QL8DXX* CD- 2 AFMM-QR8DXX*	CB- 2 BFMA-QL8X <sup>1</sup> X <sup>2</sup> 0**
Power	20A (CC)	02,03	CC- 2 BMFA-QL8X <sup>1</sup> X <sup>2</sup> P**	CC- 2 AFMM-QL8EXX* CC- 2 AFMM-QR8EXX*	CC- 2 BFMA-QL8X <sup>1</sup> X <sup>2</sup> P**

\*\*X<sup>1</sup>X<sup>2</sup>: Choose the cable length from 01-99 m

\*\*X<sup>1</sup>X<sup>2</sup>: Seal Size + Package Options  
e.g. (SN) = Seal S + Connector without Contact

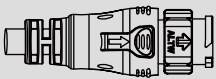
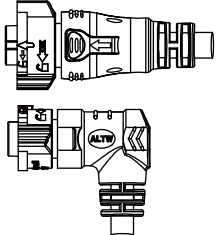
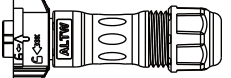

X<sup>1</sup>: Seal Size  
(S) 6.0-8.0mm  
(M) 8.0-10.0mm  
(L) 10.0-12.0mm

X<sup>2</sup>: Package Options  
(N) Connector without Contact  
(P) Connector with Contacts

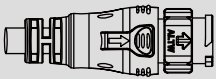
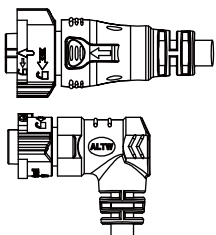
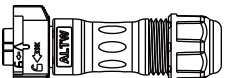

[Contacts are available to be sold in bulk individually. For further information, please refer to page 20-22.]

[Note] Design and specification are subject to change without notice.

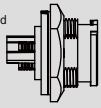
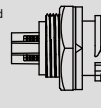
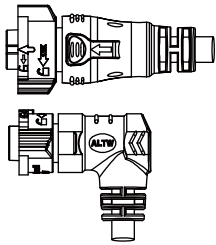
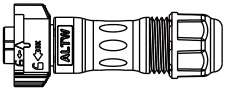

∟ Large Size 1"-20UNEF > In-Line

<ul style="list-style-type: none"> <li>• Male Connector (Housing)</li> <li>• Male Contacts</li> <li>• Push Lock</li> </ul>			Overmolded with Cable 	Overmolded with Cable 	Field Installable   ASSP-2 FAC 6 P/N refers to page 20-22
Group	Current Rating (Code)	Contacts 2	Male Connector (M) Male Contacts (M)	Female Connector (F) Female Contacts (F)	Female Connector (F) Female Contacts (F)
Data	5A (DD)	14, 18	DD- 2 AMMM-QL8DXX*	DD- 2 AFFM-QL8DXX* DD- 2 AFFM-QL8DXX*	DD- 2 BFFA-QL8X <sup>1</sup> X <sup>2</sup> 0**
Power	20A (DC)	02,03,05	DC- 2 AMMM-QL8EXX*	DC- 2 AFFM-QL8EXX* DC- 2 AFFM-QL8EXX*	DC- 2 BFFA-QL8X <sup>1</sup> X <sup>2</sup> P**
Hybrid	20A+5A (DCD)	12	DCD- 2 AMMM-QL8FXX*	DCD- 2 AFFM-QL8FXX* DCD- 2 AFFM-QL8FXX*	-

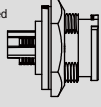
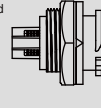
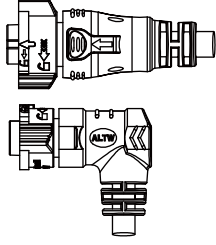


∟ Large Size 1"-20UNEF > In-Line

<ul style="list-style-type: none"> <li>• Male Connector (Housing)</li> <li>• Female Contacts</li> <li>• Push Lock</li> </ul>			Overmolded with Cable 	Overmolded with Cable 	Field Installable   ASSP-2 FAC 6 P/N refers to page 20-22
Group	Current Rating (Code)	Contacts 2	Male Connector (M) Female Contacts (F)	Female Connector (F) Male Contacts (M)	Female Connector (F) Male Contacts (M)
Data	5A (DD)	12, 14, 18	DD- 2 AMFM-QL8DXX*	DD- 2 AFMM-QL8DXX* DD- 2 AFMM-QL8DXX*	DD- 2 BFMA-QL8X <sup>1</sup> X <sup>2</sup> 0**
Power	20A (DC)	02,03,05	DC- 2 AMFM-QL8EXX*	DC- 2 AFMM-QL8EXX* DC- 2 AFMM-QL8EXX*	DC- 2 BFMA-QL8X <sup>1</sup> X <sup>2</sup> P**
Hybrid	20A+5A (DCD)	12	DCD- 2 AMFM-QL8FXX*	DCD- 2 AFMM-QL8FXX* DCD- 2 AFMM-QL8FXX*	-

Large Size 1"-20UNEF > Receptacle and Mating Pair

<ul style="list-style-type: none"> <li>• Male Connector (Housing)</li> <li>• Male Contacts</li> <li>• Push Lock</li> </ul>			<p>Receptacle</p> <p>Front Fastened</p>  <p>Rear Fastened</p> 	<p>Overmolded with Cable</p> 	<p>Field Installable</p>   <p>ASSP- 2 FAC 6 P/N refers to page 20-22</p>
Group	Current Rating (Code)	Contacts 2	Male Connector (M) Male Contacts (M)	Female Connector (F) Female Contacts (F)	Female Connector (F) Female Contacts (F)
Data	5A (CD)	14, 18	DD- 2 PMMS-QC8001 DD- 2 RMMS-QC8001	DD- 2 AFFM-QL8DXX* DD- 2 AFFM-QR8DXX*	DD- 2 BFFA-QL8X <sup>1</sup> X <sup>2</sup> 0**
Power	10A (DC)	02,03,05	DC- 2 PMMS-QC800P DC- 2 RMMS-QC800P	DC- 2 AFFM-QL8DXX*	DC- 2 BFFA-QL8X <sup>1</sup> X <sup>2</sup> P**
Hybrid	20A+5A (DCD)	12	DCD- 2 PMMS-QC8001 DCD- 2 RMMS-QC8001	DCD- 2 AFFM-QL8EXX* DCD- 2 AFFM-QR8EXX*	-

Large Size 1"-20UNEF > Receptacle and Mating Pair

<ul style="list-style-type: none"> <li>• Male Connector (Housing)</li> <li>• Female Contacts</li> <li>• Push Lock</li> </ul>			<p>Receptacle</p> <p>Front Fastened</p>  <p>Rear Fastened</p> 	<p>Overmolded with Cable</p> 	<p>Field Installable</p>   <p>ASSP- 2 FAC 6 P/N refers to page 20-22</p>
Group	Current Rating (Code)	Contacts 2	Male Connector (M) Female Contacts (F)	Female Connector (F) Male Contacts (M)	Female Connector (F) Male Contacts (M)
Data	5A (CD)	12, 14, 18	DD- 2 PMFS-QC8001 DD- 2 RMFS-QC8001	DD- 2 AFMM-QL8DXX* DD- 2 AFMM-QR8DXX*	DD- 2 BFMA-QL8X <sup>1</sup> X <sup>2</sup> 0**
Power	10A (DC)	02,03,05	DC- 2 PMFS-QC800P DC- 2 RMFS-QC800P	DC- 2 AFMM-QL8DXX*	DC- 2 BFMA-QL8X <sup>1</sup> X <sup>2</sup> P**
Hybrid	20A+5A (DCD)	12	DCD- 2 PMFS-QC8001 DCD- 2 RMFS-QC8001	DCD- 2 AFMM-QL8EXX* DCD- 2 AFMM-QR8EXX*	-

\*XX: Choose the cable length from 01-99 m

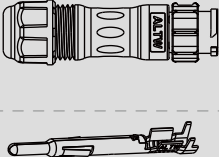
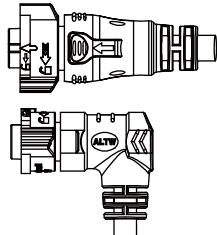
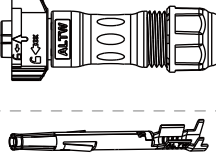
\*\*X<sup>1</sup>X<sup>2</sup>: Seal Size + Package Options  
e.g. (SN) = Seal S + Connector without Contact

X<sup>1</sup>: Seal Size (S) 8.0-10.0mm (M) 10.0-12.0mm (L) 12.0-14.0mm  
X<sup>2</sup>: Package Options (N) Connector without Contact (P) Connector with Contacts

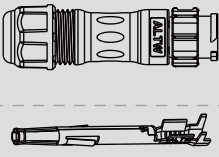
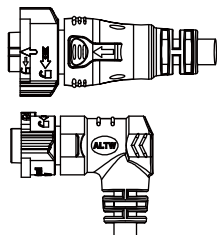
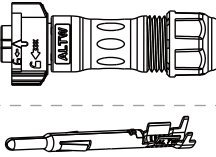
[Contacts are available to be sold in bulk individually. For further information, please refer to page 20-22.]

[Note] Design and specification are subject to change without notice.

Large Size 1"-20UNEF > In-Line

<ul style="list-style-type: none"> <li>• Male Connector (Housing)</li> <li>• Male Contacts</li> <li>• Push Lock</li> </ul>			<p>Field Installable</p>  <p>ASSP- 2 FAC 6 P/N refers to page xxx</p>	<p>Overmolded with Cable</p> 	<p>Field Installable</p>  <p>ASSP- 2 FAC 6 P/N refers to page 20-22</p>
Group	Current Rating (Code)	Contacts 2	Male Connector (M) Male Contacts (M)	Female Connector (F) Female Contacts (F)	Female Connector (F) Female Contacts (F)
Data	5A (DD)	14, 18	DD- 2 BMMA-QL8X <sup>1</sup> X <sup>2</sup> 0**	DD- 2 AFFM-QL8DXX* DD- 2 AFFM-QR8DXX*	DD- 2 BFFA-QL8X <sup>1</sup> X <sup>2</sup> 0**
Power	20A (DC)	02,03,05	DC- 2 BMMA-QL8X <sup>1</sup> X <sup>2</sup> P**	DC- 2 AFFM-QL8DXX* DC- 2 AFFM-QR8DXX*	DC- 2 BFFA-QL8X <sup>1</sup> X <sup>2</sup> P**

Large Size 1"-20UNEF > In-Line

<ul style="list-style-type: none"> <li>• Male Connector (Housing)</li> <li>• Female Contacts</li> <li>• Push Lock</li> </ul>			<p>Field Installable</p>  <p>ASSP- 2 FAC 6 P/N refers to page xxx</p>	<p>Overmolded with Cable</p> 	<p>Field Installable</p>  <p>ASSP- 2 FAC 6 P/N refers to page 20-22</p>
Group	Current Rating (Code)	Contacts 2	Male Connector (M) Female Contacts (F)	Female Connector (F) Male Contacts (M)	Female Connector (F) Male Contacts (M)
Data	5A (DD)	12, 14, 18	DD- 2 BMFA-QL8X <sup>1</sup> X <sup>2</sup> 0**	DD- 2 AFMM-QL8DXX* DD- 2 AFMM-QR8DXX*	DD- 2 BFMA-QL8X <sup>1</sup> X <sup>2</sup> 0**
Power	10A (DC)	02,03,05	DC- 2 BMFA-QL8X <sup>1</sup> X <sup>2</sup> P**	DC- 2 AFMM-QL8DXX* DC- 2 AFMM-QR8DXX*	DC- 2 BFMA-QL8X <sup>1</sup> X <sup>2</sup> P**

\*XX: Choose the cable length from 01-99 m


\*\*X<sup>1</sup>X<sup>2</sup>: Seal Size + Package Options  
e.g. (SN) = Seal S + Connector without Contact

X<sup>1</sup>: Seal Size X<sup>2</sup>: Package Options  
(S) 8.0-10.0mm (N) Connector without Contact  
(M) 10.0-12.0mm (P) Connector with Contacts  
(L) 12.0-14.0mm

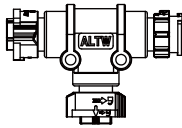
[Contacts are available to be sold in bulk individually. For further information, please refer to page 20-22.]

### ∨ I-Adaptor, T-Adaptor & T-Cable

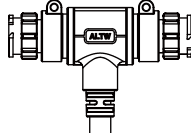
Customization - Upon Request



I-Adaptor



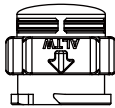
T-Adaptor




T-Cable

### ∨ Waterproof Cap

For female connector



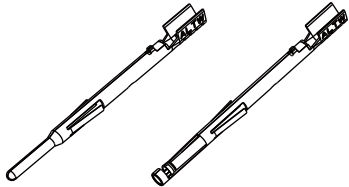
For male connector



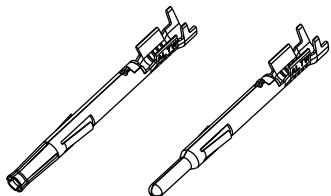
- 3 More to choose: None (MA) / With Rubber Lead (PC)
- 4 More to choose: None (MA) / With Fish Line (CD)
- 5 More to choose: None (A) / With Fish Line (D)

Size	Mating Pair	Mating Style	Mating Pair (Gender)	P/N
Standard Size 5/8"-27 UNS	Receptacle	Push Lock	Male	CAP-WABMQ <span style="border: 1px solid black; border-radius: 50%; padding: 1px;">3</span> 1
	Overmolded with cable	Push Lock	Female	CAP-WABFQ <span style="border: 1px solid black; border-radius: 50%; padding: 1px;">4</span> 1
			Male	CAP-WABMQM <span style="border: 1px solid black; border-radius: 50%; padding: 1px;">5</span> 1
Middle Size 13/16"-28 UNS	Receptacle	Push Lock	Male	CAP-WACMQ <span style="border: 1px solid black; border-radius: 50%; padding: 1px;">3</span> 1 CAP-WACMQ <span style="border: 1px solid black; border-radius: 50%; padding: 1px;">3</span> 2
	Overmolded with cable	Push Lock	Female	CAP-WACFQ <span style="border: 1px solid black; border-radius: 50%; padding: 1px;">4</span> 1
			Male	CAP-WACMQM <span style="border: 1px solid black; border-radius: 50%; padding: 1px;">5</span> 1
				CAP-WACMQM <span style="border: 1px solid black; border-radius: 50%; padding: 1px;">5</span> 2
Large Size 1/20" UNEF	Receptacle	Push Lock	Male	CAP-WADMQ <span style="border: 1px solid black; border-radius: 50%; padding: 1px;">3</span> 1 CAP-WADMQ <span style="border: 1px solid black; border-radius: 50%; padding: 1px;">3</span> 2
	Overmolded with cable	Push Lock	Female	CAP-WADFQ <span style="border: 1px solid black; border-radius: 50%; padding: 1px;">4</span> 1
			Male	CAP-WADMQM <span style="border: 1px solid black; border-radius: 50%; padding: 1px;">5</span> 1 CAP-WADMQM <span style="border: 1px solid black; border-radius: 50%; padding: 1px;">5</span> 2

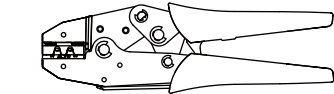
### ∨ Contacts & Crimp Tool



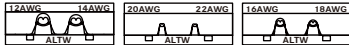
5A



10A/20A



Crimp Tool



Current Rating <span style="border: 1px solid black; border-radius: 50%; padding: 1px;">2</span>	Contact Gender	P/N	Packages <span style="border: 1px solid black; border-radius: 50%; padding: 1px;">6</span>	Crimp Tool
5A <span style="border: 1px solid black; border-radius: 50%; padding: 1px;">05</span>	Male	ASSP-05MAC <span style="border: 1px solid black; border-radius: 50%; padding: 1px;">6</span>	<b>(SA)</b> 50pcs / Bulk <b>(SB)</b> 100pcs / Bulk <b>(SC)</b> 500pcs / Bulk <b>(SD)</b> 1000pcs / Bulk <b>(RE)</b> 3000pcs / Bulk	ASST-C-05-W-A (20AWG ~ 22AWG)
	Female	ASSP-05FAC <span style="border: 1px solid black; border-radius: 50%; padding: 1px;">6</span>		ASST-C-10-W-B (16AWG ~ 18AWG)
10A <span style="border: 1px solid black; border-radius: 50%; padding: 1px;">10</span>	Male	ASSP-10MAC <span style="border: 1px solid black; border-radius: 50%; padding: 1px;">6</span>		ASST-C-20-W-C (12AWG ~ 14AWG)
	Female	ASSP-10FAC <span style="border: 1px solid black; border-radius: 50%; padding: 1px;">6</span>		
20A <span style="border: 1px solid black; border-radius: 50%; padding: 1px;">20</span>	Male	ASSP-20MAC <span style="border: 1px solid black; border-radius: 50%; padding: 1px;">6</span>		
	Female	ASSP-20FAC <span style="border: 1px solid black; border-radius: 50%; padding: 1px;">6</span>		

[Note] Design and specification are subject to change without notice.

**Amphenol LTW Technology Co., Ltd.**

5F-3, No.51, Sec.4, Zhongyang Rd., Tucheng Dist., New Taipei City 236, Taiwan  
Telephone: +886-2-77416888 Fax: +886-2-77416999  
[www.amphenolltw.com](http://www.amphenolltw.com)

**Kunshan Factory**

No. 62, DaTong Road, Development Zone, Kunshan City, JiangSu Province, 215333 China  
Telephone: +86-512-5761-0501  
Fax: : +86-512-5761-0515

**For further information, please contact :**

Sales & Marketing Department | Email : [sales@ltw-tech.com](mailto:sales@ltw-tech.com)