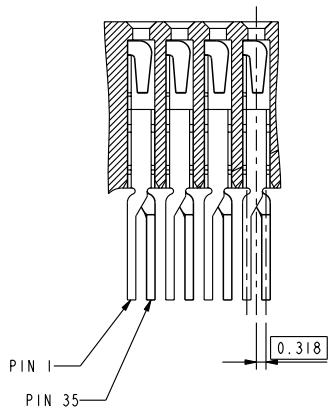


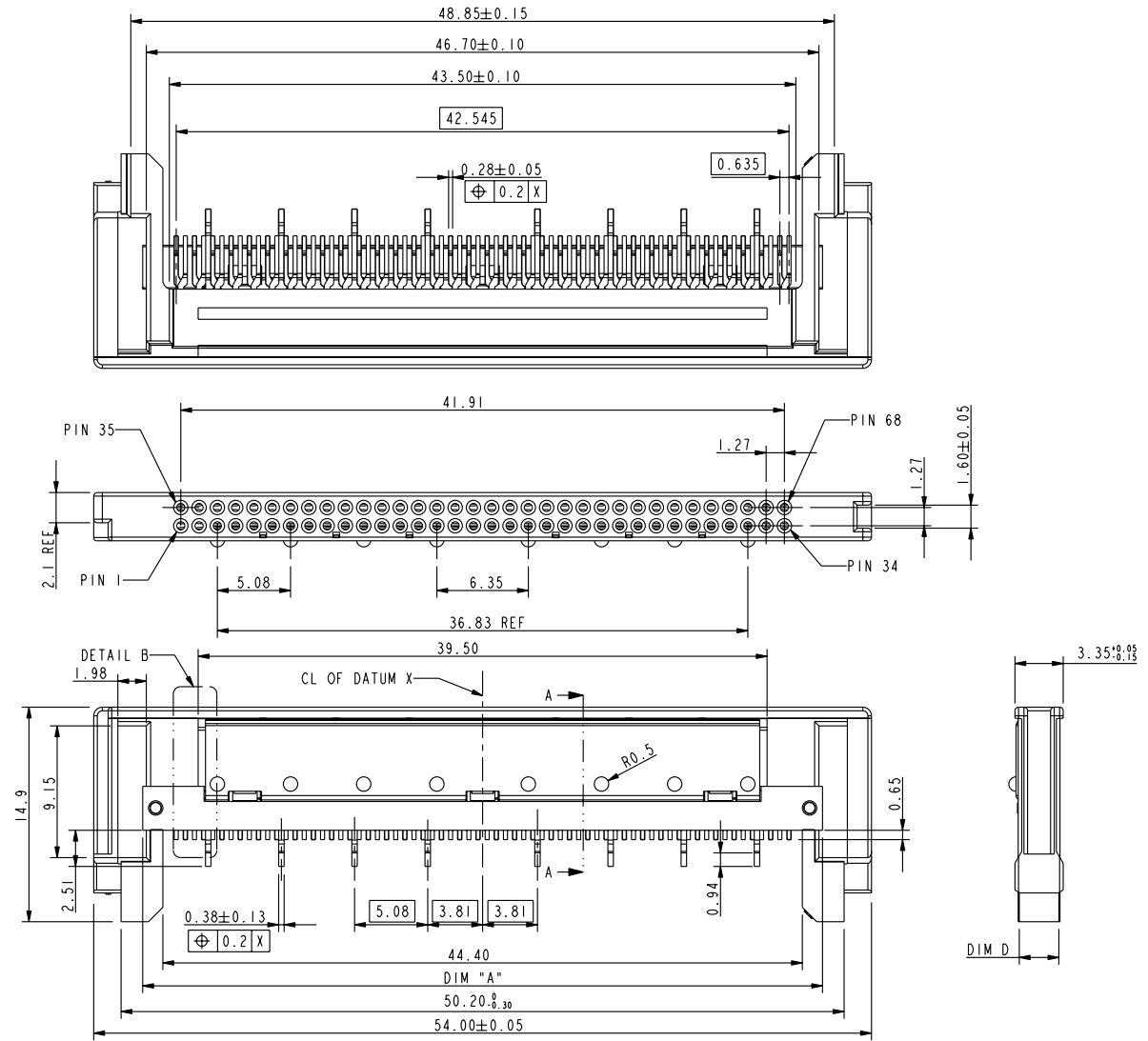
Tous droits strictement reserves. Reproduction ou communication a des tiers interdite sous quelque forme que ce soit sans autorisation écrite du propriétaire. Propriete de c FCI. Droits de reproduction FCI.



All rights strictly reserved. Reproduction or issue to third parties in any form, whenever is not permitted without written authority from the proprietor. Property of FCI. Copyright FCI.



DETAIL B
SCALE 4.0



mat'l code				tolerances unless otherwise specified			CUSTOMER		FCI		www.fciconnect.com	
ltr	ecn no.	dr	date	linear	.X±0.3		COPY		title 68P CARDBUS RECEPTACLE ASS'Y			
A	DG06-0339	P M	08/14/'06		.XX±0.13		projection					
B	DG08-0009	C S	07/01/'08	angles	.XXX±0.05				product family PCMCIA code			
C	DG08-0116	NZ	05/27/'08		0°±2°							
				dr	PM Zheng	08/14/'06	 scale: 1.000		size A dwg no 10071885 sheet 1 of 2			
				engr	PM Zheng	08/14/'06						
				chr	Beer Fu	08/14/'06						
				appd	Joseph Hsia	08/14/'06						
sheet index	revision sheet	C	C									
		1	2									

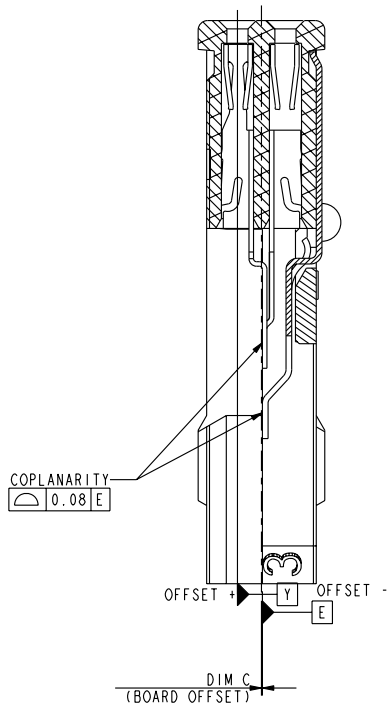
THIS FILE WAS ORIGINALLY CREATED IN THE PRO ENGINEER ENVIRONMENT AND ANY FUTURE REVISIONS TO THIS FILE MUST BE MADE IN THE PRO ENGINEER ENVIRONMENT

Tous droits strictement reserves. Reproduction ou communication a des tiers interdite sous quelque forme que ce soit sans autorisation écrite du propriétaire. Propriete de c FCI. Droits de reproduction FCI.

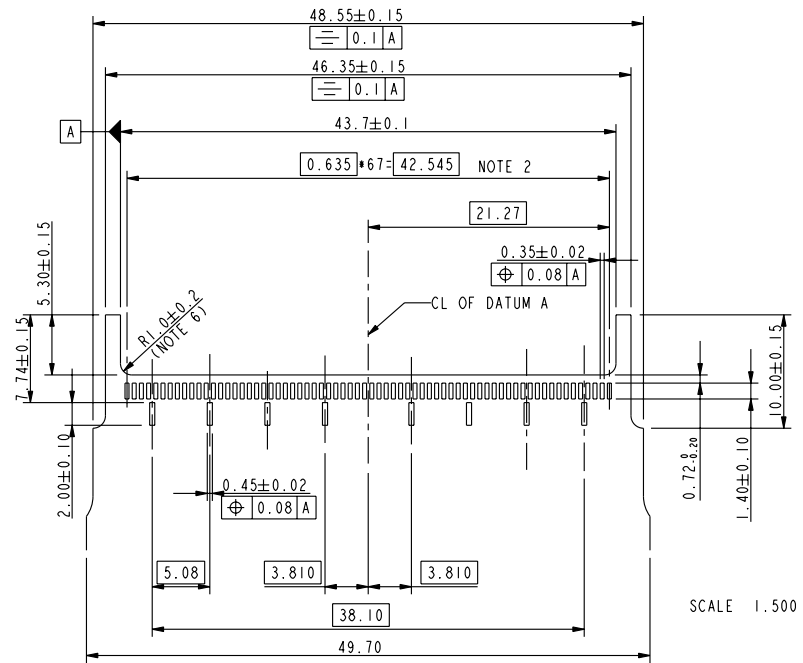


All rights strictly reserved. Reproduction or issue to third parties in any form, whenever is not permitted without written authority from the proprietor. Property of FCI. Copyright FCI.

PRODUCT NUMBER	DIM A	BOARD OFFSET DIM C	DIM D	PACKING
10071885-001LF	47.20±0.10	0	2.85±0.05	SEE NOTE 5 FOR DETAIL DESCRIPTION



SECTION A-A
SCALE 5.000



- NOTE:
- MATERIAL:
CONTACT: PHBR 0.12±
GROUND SHIELD: BRASS 0.15±
HOUSING: LCP UL 94V-0, BLACK
 - FINISH:
CONTACT: ALL OVER --- Ni UNDER 0.5-2 MICRON; CONTACT --- Au OR GXT PLATING 0.38-0.80 MICRON;
SOLDER TAIL --- MATT TIN LEAD 2.5-5 MICRON.
GROUND SHIELD: ALL OVER --- Ni UNDER 1.27-3 MICRON; CONTACT --- Au OR GXT PLATING 0.38-0.80 MICRON
ONLY FOR DIMPLE SURFACE AND OTHER SURFACE DIMPLES ARE 0.025-0.25 MICRON GOLD FLASH
SOLDER TAIL --- MATT TIN 3.8-7 MICRON.
 - MAX. BOW OF PCB ON THIS DIMENSION IS 0.1mm.
 - MATED CONNECTOR SHOULD BE BASED ON JEIDA AND PCMCIA SPECIFICATION.
 - PACKING DETAIL: (REFER TO GS-14-723 AND GS-14-920)
-XXXLTF USE TAPE AND REEL 750 PCS / REEL.
-XXXHLF USE TRAY PACKAGE 2160 PCS/CARTON AND PRODUCT ORIENTATION IN TRAY PER THE REQUEST FROM SUNSUNG
 - ELIMINATE THE CORNER TO PREVENT INTERFERENCE WITH SOLDER TAIL.
 - PRODUCT SPEC. REFER TO GS-12-228.
 - 10071885-XXXLF PRODUCTS MEET EUROPEAN UNION DIRECTIVES AND OTHER COUNTRY REGULATIONS AS DESCRIBED IN GS-22-008
 - THE HOUSING WILL WITHSTAND EXPOSURE TO 260°C PEAK TEMPERATURE FOR 10 SECONDS IN IR-REFLOW.

THIS FILE WAS ORIGINALLY CREATED IN THE PRO ENGINEER ENVIRONMENT AND ANY FUTURE REVISIONS TO THIS FILE MUST BE MADE IN THE PRO ENGINEER ENVIRONMENT

mat'l code				tolerances unless otherwise specified		CUSTOMER		FCI		www.fciconnect.com	
ltr	ecr no.	dr	date	linear	.X±0.3	COPY		projection		title	
C				angles	.XX±0.13	MM		MM		68P CARDBUS RECEPTACLE ASS'Y	
				dr	.XXX±0.05	1.000		A		product family PCMCIA code	
				engr	0°±2°					size	
				chr	PM Zheng 08/14/06					dwg no	
				appd	PM Zheng 08/14/06					10071885	
					Beer Fu 08/14/06					sheet 2	
					Joseph Hsia 08/14/06					cage code	
sheet index	revision sheet									22526	