

# OMRON



## Flat Cable Connector DCN4-□□4D

### Flat cables available for DeviceNet! Approved by ODVA.



# Click!

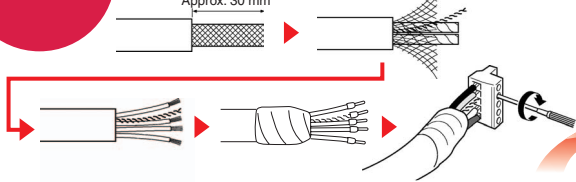
## Easy connection.

Now operational **30x faster** than before.

**before**

The inconvenient former process.

Approx. 30 mm



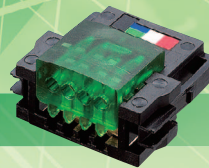
■ A screwless construction for a cable with fewer problems.



DCN4-SF4D **NEW**



DCN4-TP4D **NEW**



DCN4-BR4D **NEW**



DCN4-TR4-1 **NEW**

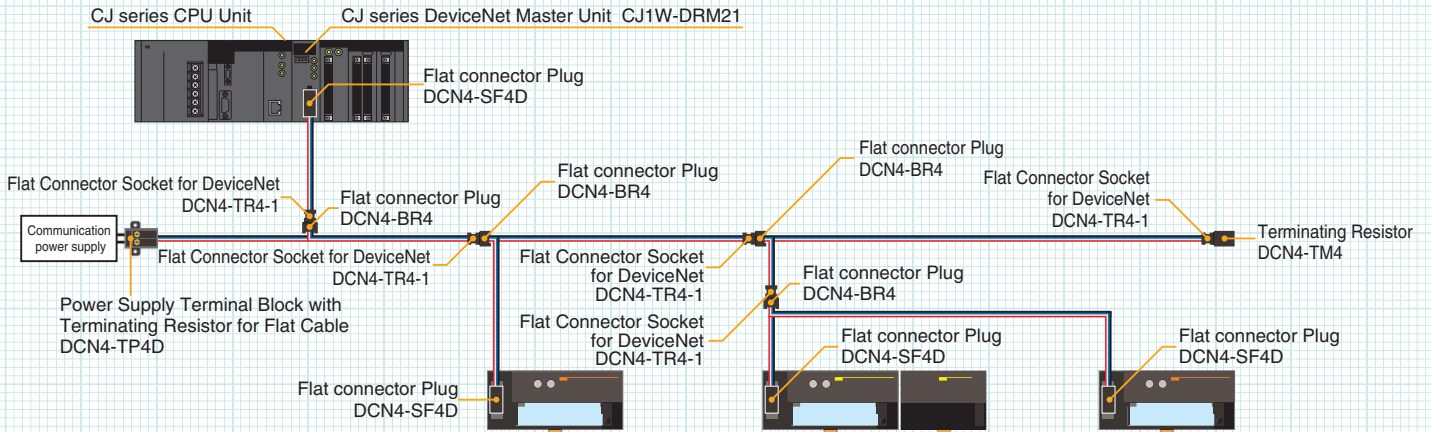


DCN4-BR4

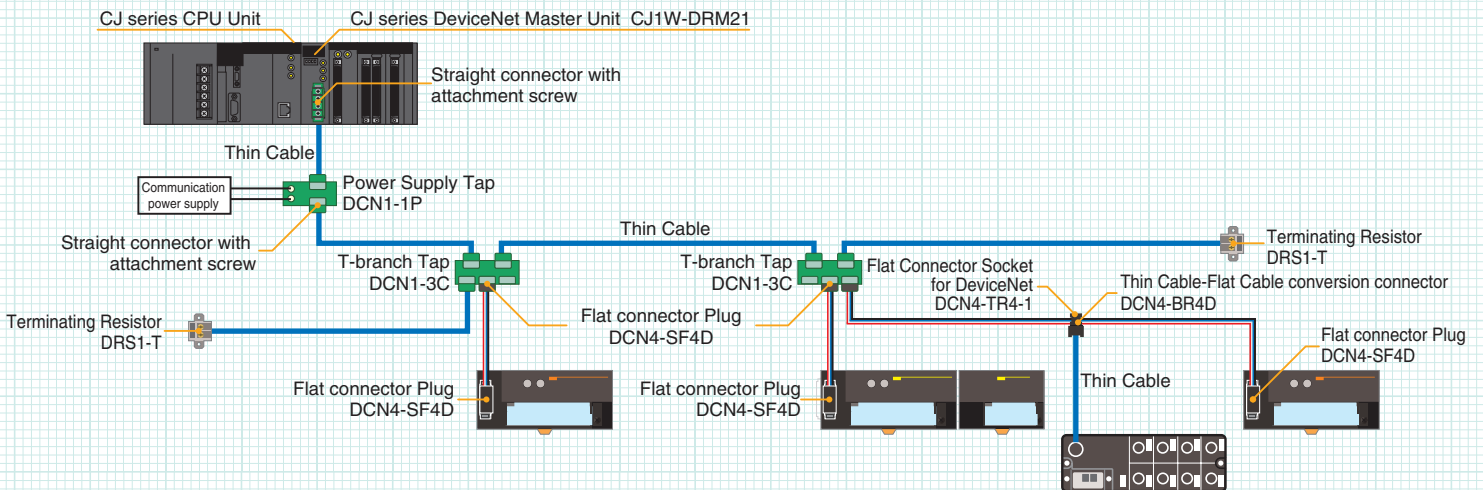


DCN4-TM4

### System Configuration Diagram for All Flat Cables



### System Configuration Diagram for Mixed Cables



### Ordering Guide

\* DeviceNet is a registered trademark of ODVA.

Product Name	Type
Flat Cable Connector	<b>NEW</b> DCN4-SF4D
Flat Connector Socket for DeviceNet	<b>NEW</b> DCN4-TR4-1
Flat connector Plug	DCN4-BR4
Thin Cable-Flat Cable conversion connector	<b>NEW</b> DCN4-BR4D
Power Supply Terminal Block with Terminating Resistor for Flat Cable	<b>NEW</b> DCN4-TP4D
Terminating Resistor	DCN4-TM4
Flat Cable (100m)	DCA4-4F10
Special Tool for Flat Cable	DWT-A01

\* Delivered in units of 10 pcs. Please place your order in units of 10 pcs.

**OMRON Corporation**  
 Industrial Automation Company  
 Control Devices Division H.Q.  
 Network Devices Department  
 Shiokoji Horikawa, Shimogyo-ku,  
 Kyoto, 600-8530 Japan  
 Tel: (81) 75-344-7116/Fax: (81) 75-344-7149  
 2-2-1 Nishikusatsu, Kusatsu-shi,  
 Shiga, 525-0035 Japan  
 Tel: (81) 77-565-5219/Fax: (81) 77-565-5569

**Regional Headquarters**  
**OMRON EUROPE B.V.**  
 Wegalaan 67-69-2132 JD Hoofddorp  
 The Netherlands  
 Tel: (31)2356-81-300/Fax: (31)2356-81-388  
 OMRON Industrial Automation Global: [www.ia.omron.com](http://www.ia.omron.com)

**OMRON ELECTRONICS LLC**  
 One Commerce Drive Schaumburg,  
 IL 60173-5302 U.S.A.  
 Tel: (1) 847-843-7900/Fax: (1) 847-843-7787

**OMRON ASIA PACIFIC PTE. LTD.**  
 No. 438A Alexandra Road # 05-05/08 (Lobby 2),  
 Alexandra Technopark, Singapore 119967  
 Tel: (65) 6835-3011/Fax: (65) 6835-2711

**OMRON (CHINA) CO., LTD.**  
 Room 2211, Bank of China Tower,  
 200 Yin Cheng Zhong Road,  
 PuDong New Area, Shanghai, 200120, China  
 Tel: (86) 21-5037-2222/Fax: (86) 21-5037-2200

#### Authorized Distributor:

© OMRON Corporation 2008 All Rights Reserved.  
 In the interest of product improvement,  
 specifications are subject to change without notice.

Cat. No. R152-E1-01

Printed in Japan  
 0708-1

# Mouser Electronics

Authorized Distributor

Click to View Pricing, Inventory, Delivery & Lifecycle Information:

[Omron:](#)

[DCA4-4F10](#)