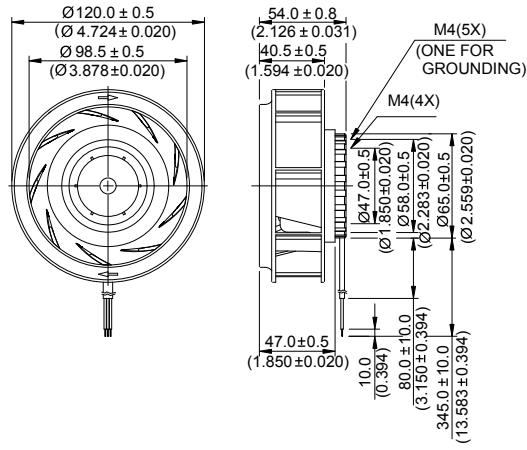
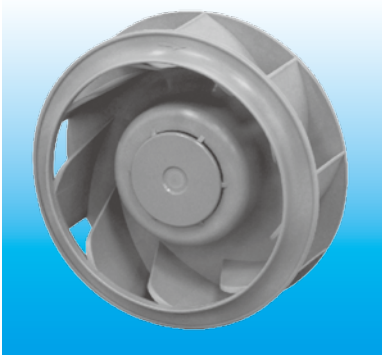


# KFB $\phi 120 \times 54$ MM SERIES

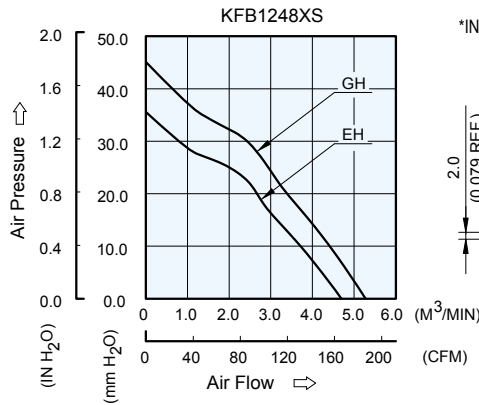
## DIMENSIONS DRAWING



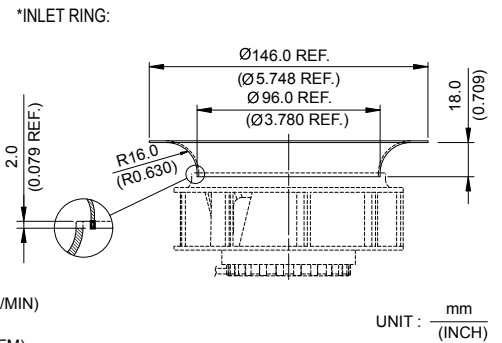
UNIT :  $\frac{\text{mm}}{\text{INCH}}$

- \* Bearing Type  
Ball Bearings
- \* Material  
Impeller : Plastic (UL 94V-0)  
Pillow : Die-Cast Aluminum
- \* Lead Wires :  
UL 1007 AWG #24 OR Equivalent  
Red Wire Positive(+)  
Black Wire Negative(-)
- \* Weight : 330g (11.64 oz)

## P & Q CURVE (AT RATED VOLTAGE)



## MOUNTING PANEL CUTOUT



UNIT :  $\frac{\text{mm}}{\text{INCH}}$

| MODEL      |             | Rated Voltage | Operating Voltage Range | Input Current | Input Power | Speed  | Maximum Air Flow    |        | Maximum Air Pressure |                     | Noise |
|------------|-------------|---------------|-------------------------|---------------|-------------|--------|---------------------|--------|----------------------|---------------------|-------|
| PART NO.   | FUNCTION    | VDC           | VDC                     | Amp           | Watt        | R.P.M. | m <sup>3</sup> /min | CFM    | mmH <sub>2</sub> O   | IN H <sub>2</sub> O | dB-A  |
| KFB1248EHS | -R00 / -F00 | 48            | 28.0 to 60.0            | 0.50          | 24.00       | 4100   | 4.690               | 165.50 | 35.50                | 1.400               | 61.0  |
| KFB1248GHS | -R00 / -F00 | 48            | 28.0 to 60.0            | 0.63          | 30.24       | 4600   | 5.270               | 186.00 | 45.00                | 1.770               | 64.0  |

\* Function type is optional.  
 \* The max. air flow and the speed are measured in free air ; max. air pressure is measured at zero air flow.  
 \* Noise is measured in anechoic chamber in free air, one meter from intake side.  
 \* All readings are typical values at rated voltage.  
 \* Specifications are subject to change without notice.