

REVISIONS					
P	LTR	DESCRIPTION	DATE	DMN	APVD
E		REV PER ECO 16-011430	8-10-16	CT	EO

- CONTACTS SHOWN LOADED FOR ILLUSTRATION ONLY; ARE INCLUDED IN A CONTAINER WITHIN CONNECTOR PACKAGE FOR SHIPMENT.
- FOR INSERT ARRANGEMENTS AND DIMENSIONS, SEE TABLES ON SHEET 2 OF 2.
- FOR CONTACT SIZE 22, B DIMENSION REPRESENTS PIN CONTACTS.
- DIMENSIONS IN BRACKETS ARE IN INCHES.
- PRELIMINARY- NOT RELEASED FOR PRODUCTION

PART NO														DESCRIPTION	ITEM NO	
(200)	(200)	(201)	(201)	(200)	(200)	(201)	(200)	(200)	(200)	(200)	(201)	(200)	(200)		CUSTOMER ORDERING CODE, SEE DRAWING 205102	
	91	00				01	01	01		01	01	01	01		KEYING CODE, SEE DRAWING 204014	
00	03	00	00	00	03	00	00	00	00	03	00	00	00		MODIFICATION CODE, SEE DRAWING 205100	
106P	67S	106P	106P	106P	67S	32C2S	32C2S	57S	33C4S	33C4S	C8S	26S	CP8		INSERT B	
106P	67S	106P	106P	106P	67S	67S	67S	57S	33C4S	33C4S	26S	26P			INSERT A	
2															RETAINER PLATE - ALUMINUM; PLATED ELECTROLESS NICKEL	18
1															SHELL - ALUMINUM; PLATED ELECTROLESS NICKEL	17
					1		1	1	1						91066-4	16
					1		1		1		1	1			91066-3	15
1				1											91066-1	14
212				212											204873-4	13
													26		204978-3	12
	128				128		94	114	50						205116-1	11
	6				6		3		8		52				205117-1	10
8	8	8	8	8	8	8	8	8	8	8	8	8	8		LOCKWASHER - STAINLESS STEEL; PASSIVATED	9
8	8	8	8	8	8	8	8	8	8	8	8	8	8		MACHINE SCREW - STAINLESS STEEL; PASSIVATED	8
	2	2	2	2	2	2	2	2	2	2	2	2	2		RETAINER PLATE - ALUMINUM; ANODIZED BLUE	7
3	3		3	3	3	3	3	3	3	3	3	3	3		POLARIZING POST NUT - BRASS; PL CADMIUM, YELLOW CHROMATE	6
3	3		3	3	3	3	3	3	3	3	3	3	3		LOCKWASHER - STAINLESS STEEL; PASSIVATED	5
3	3		3	3	3	3	3	3	3	3	3	3	3		POLARIZING POST - STAINLESS STEEL; PASSIVATED	4
	2				2		2	2	2	2	2	2			SOCKET INSERT ASSEMBLY - EPOXY; BLACK	3
2		2	2	2									2		PIN INSERT ASSEMBLY - EPOXY; BLACK	2
	1	1	1	1	1	1	1	1	1	1	1	1	1		SHELL - ALUMINUM; PL CADMIUM, YELLOW CHROMATE	1

B DIM. Δ				C DIM.				D DIM.			
CONTACT SIZE				CONTACT SIZE				CONTACT SIZE			
22	20	16	12	22	20	16	12	22	20	16	12
18.69	21.00	19.86		20.24	22.68	22.68	22.68			20.93	
17.48	19.53	18.67		19.53	21.97	21.97	21.97			18.95	
.736	.827	.782		.797	.893	.893	.893			.824	
.688	.769	.735		.769	.865	.865	.865			.746	

A DIM.	INSERT ARRANGEMENT													
	C2	C3	8	C8	D8	26	32C2	33C4	40	40C1	45	57	67	106
				36.07		30.61	36.07	36.07				30.61	30.61	24.54
				[1.420]		[1.205]	[1.420]	[1.420]				[1.205]	[1.205]	[.966]

THIS DRAWING IS A CONTROLLED DOCUMENT.

DMN: MARK HOFFECKER 3-11-87
 CHK: LARRY LAWNER 3-11-87
 APVD: LARRY LAWNER 3-11-87
 NAME: LARRY LAWNER

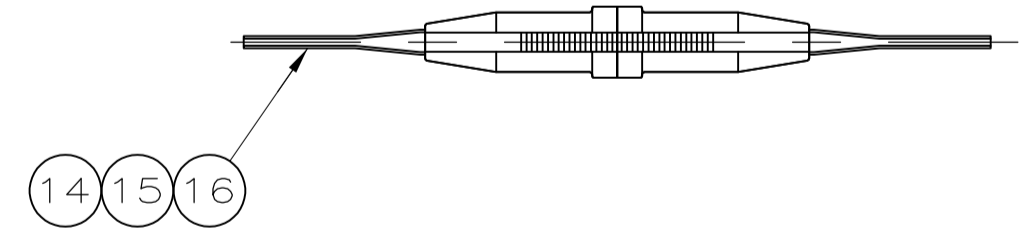
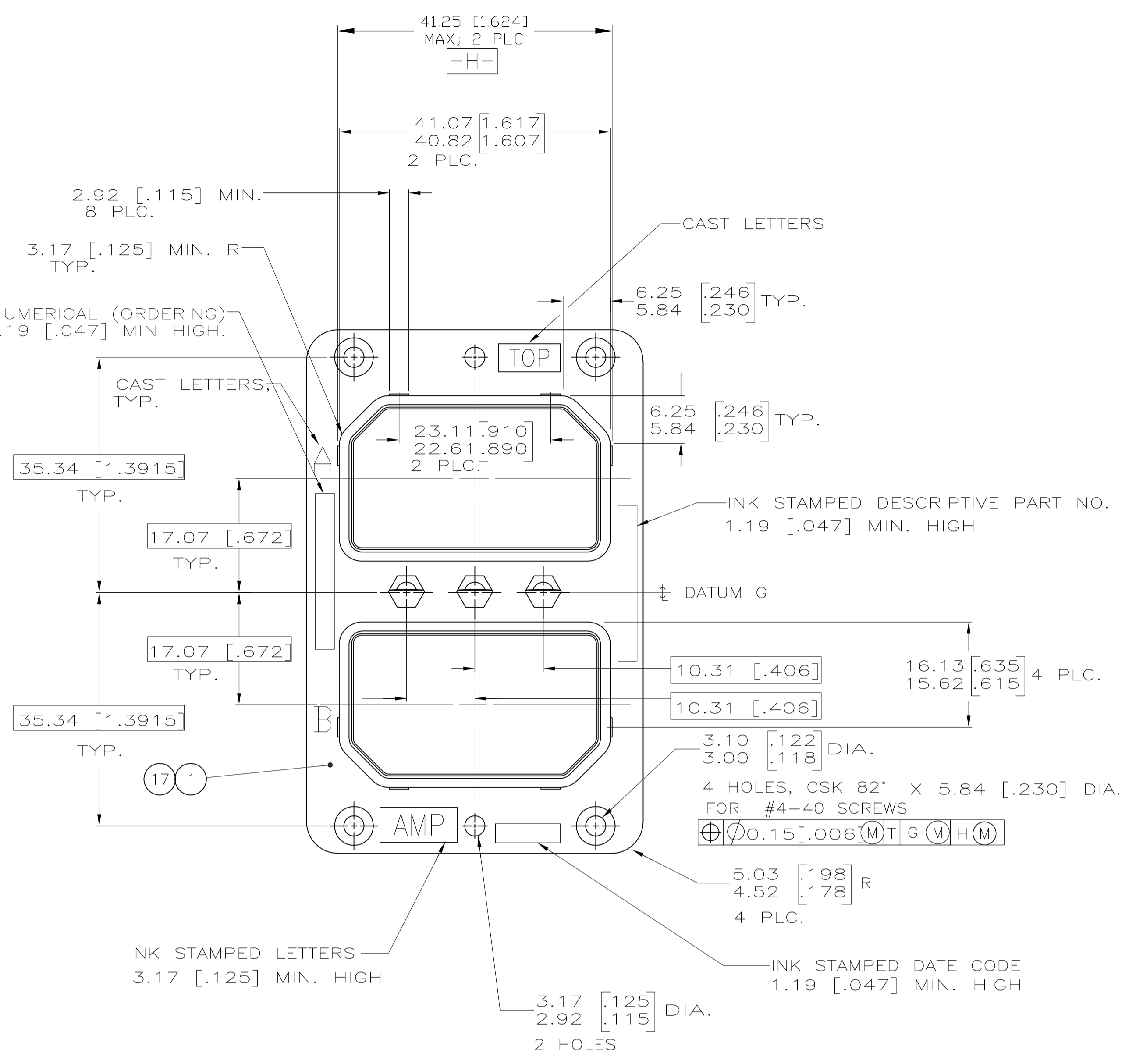
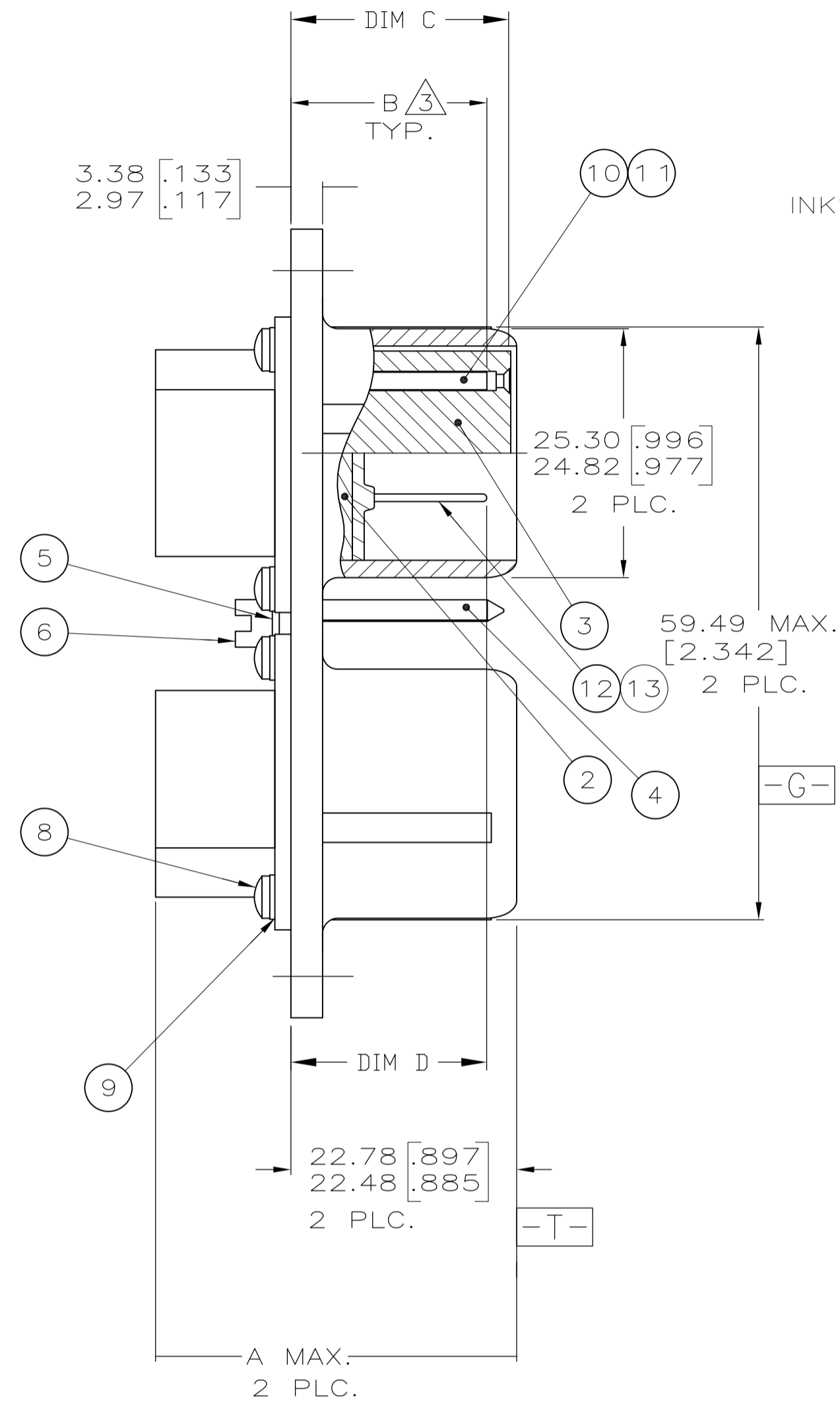
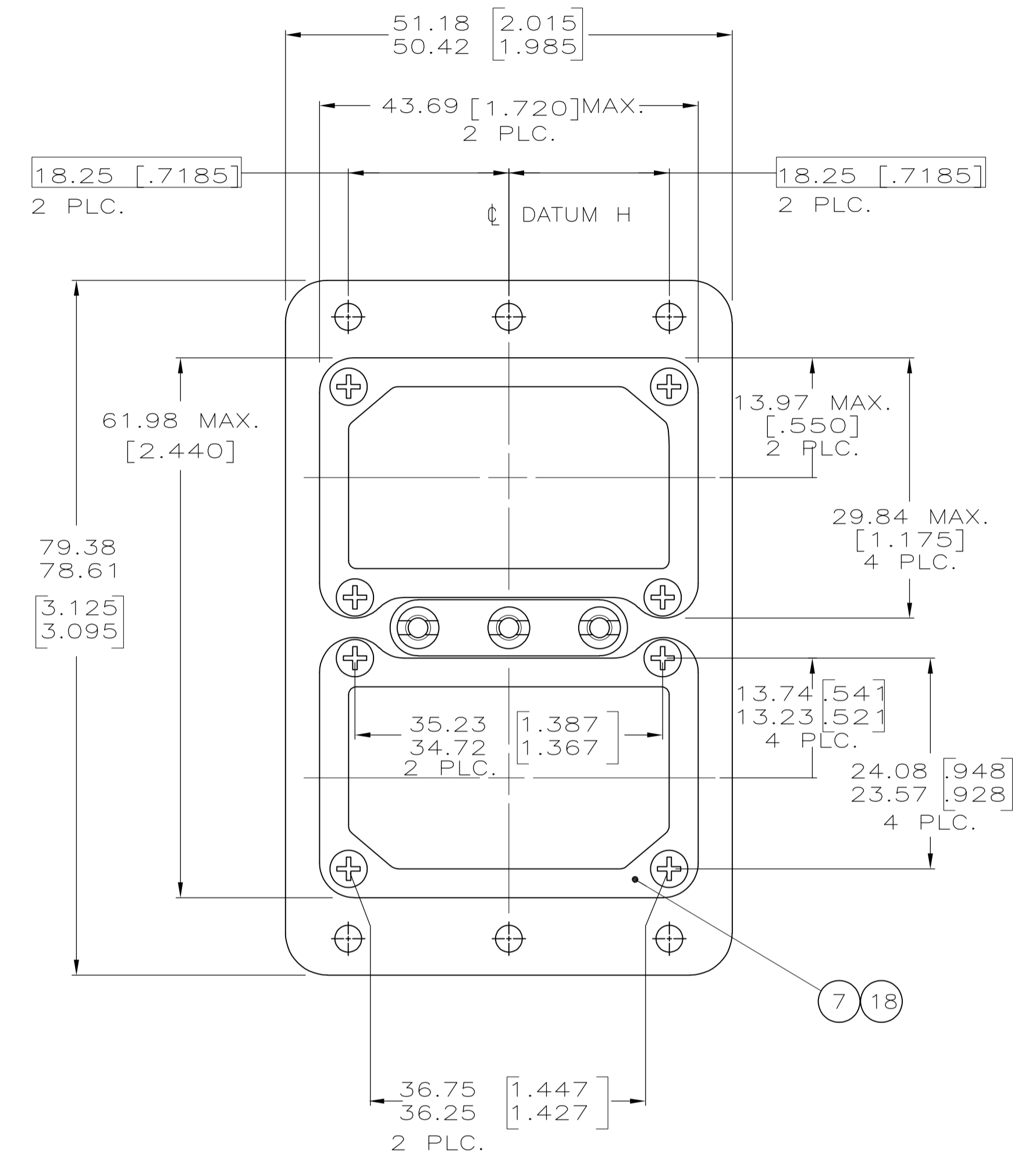
TE Connectivity

PLUG CONNECTOR KIT, ARINC 404, DUAL INSERT, RM2P SERIES

SIZE: A1 CASE CODE: 000779 DRAWING NO: 213437
 WEIGHT: 0

CUSTOMER DRAWING SCALE: NTS SHEET 1 OF 2 REV E

REVISIONS				
P	LTR	DESCRIPTION	DATE	APPV
-	-	SEE SHEET 1	-	-



THIS DRAWING IS A CONTROLLED DOCUMENT.		DIN MARK HOFFECKER 3-11-87		TE Connectivity	
DIMENSIONS: INCHES		TOLERANCES UNLESS OTHERWISE SPECIFIED:		APVD LARRY LAYNER 3-11-87	
0 PLC ± -		1 PLC ± -		NAME LARRY LAYNER	
2 PLC ± -		3 PLC ± -		PRODUCT SPEC	
4 PLC ± -		ANGLES ± # 0'30"		APPLICATION SPEC	
MATERIAL SEE TABLE		FINISH SEE TABLE		SIZE A1	
WEIGHT 0		CAGE CODE 00779		DRAWING NO. 213437	
CUSTOMER DRAWING		SCALE NTS		SHEET 2 OF 2	