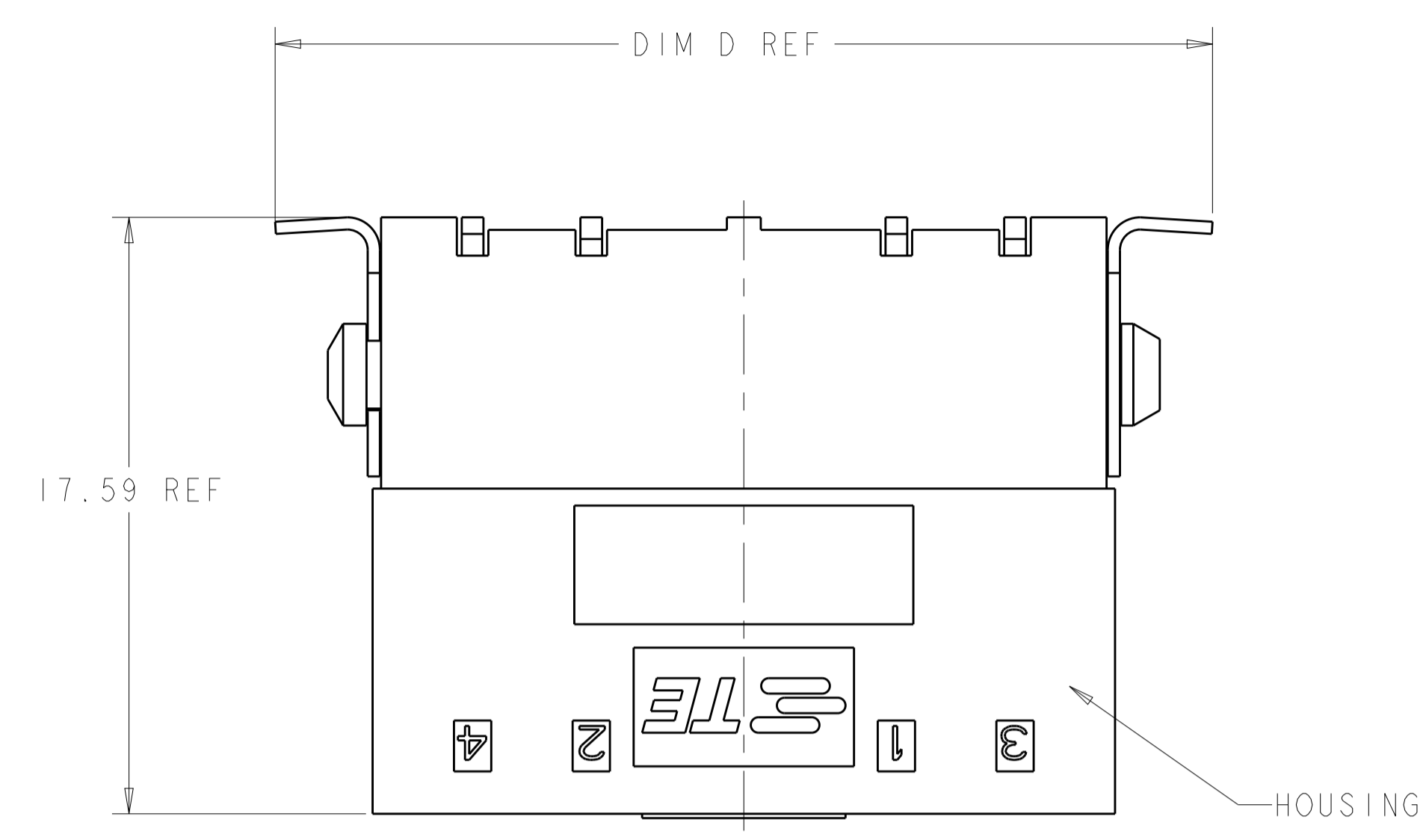
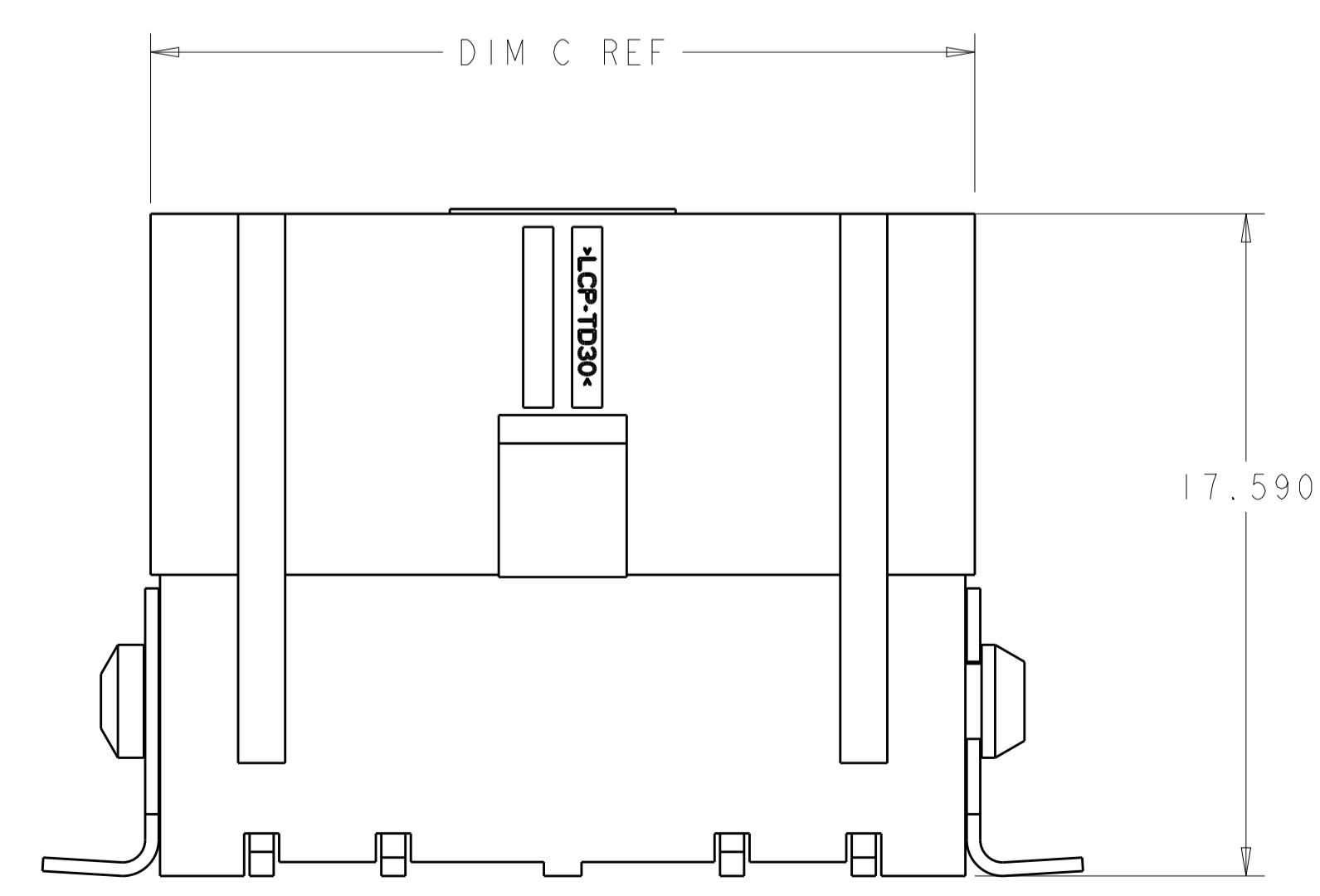
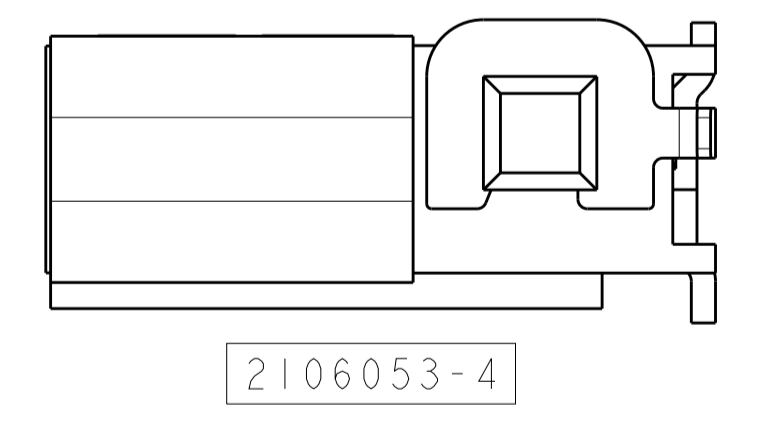
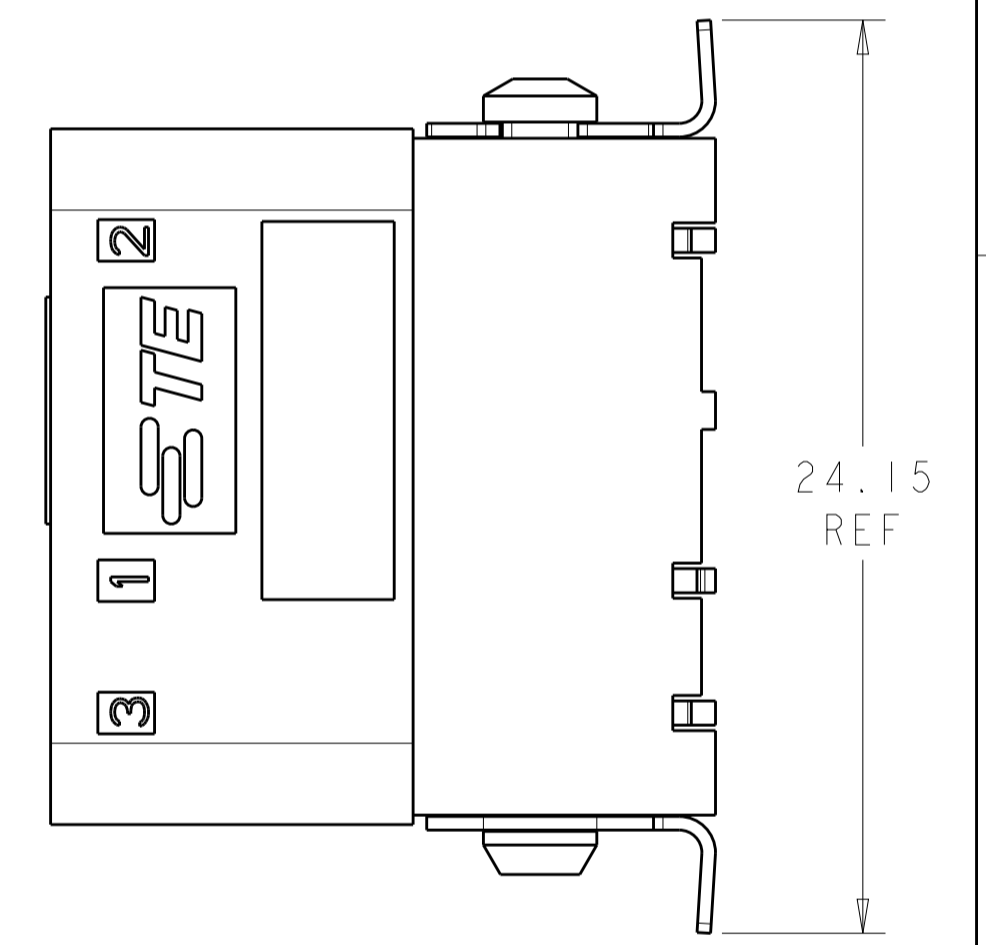
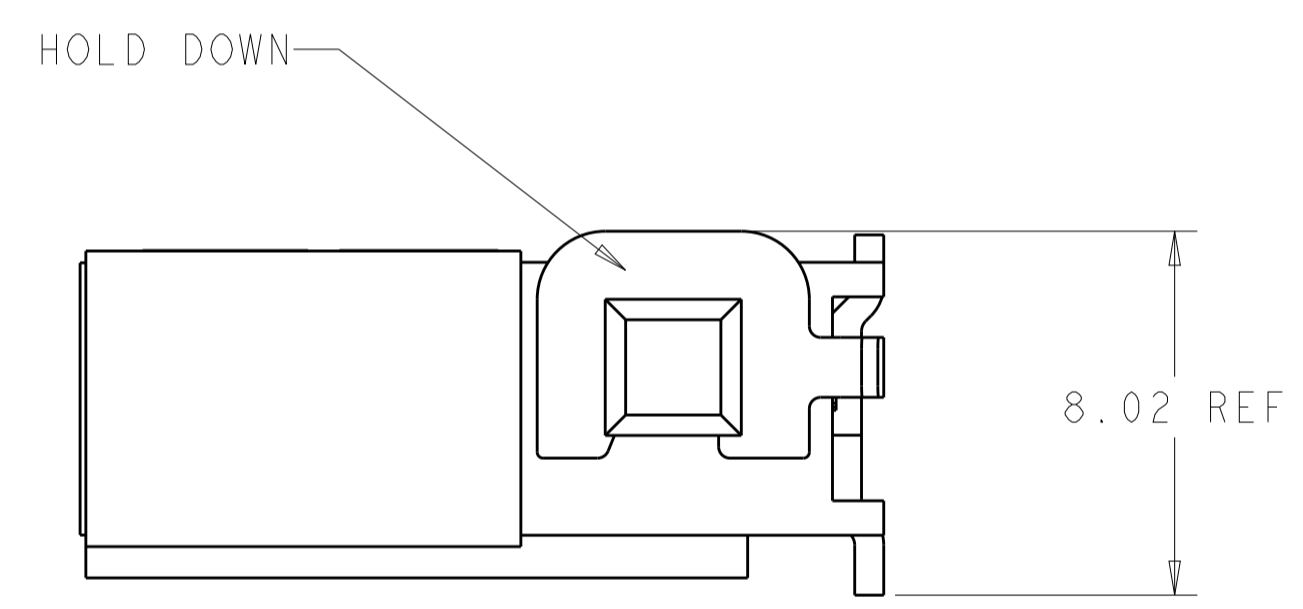
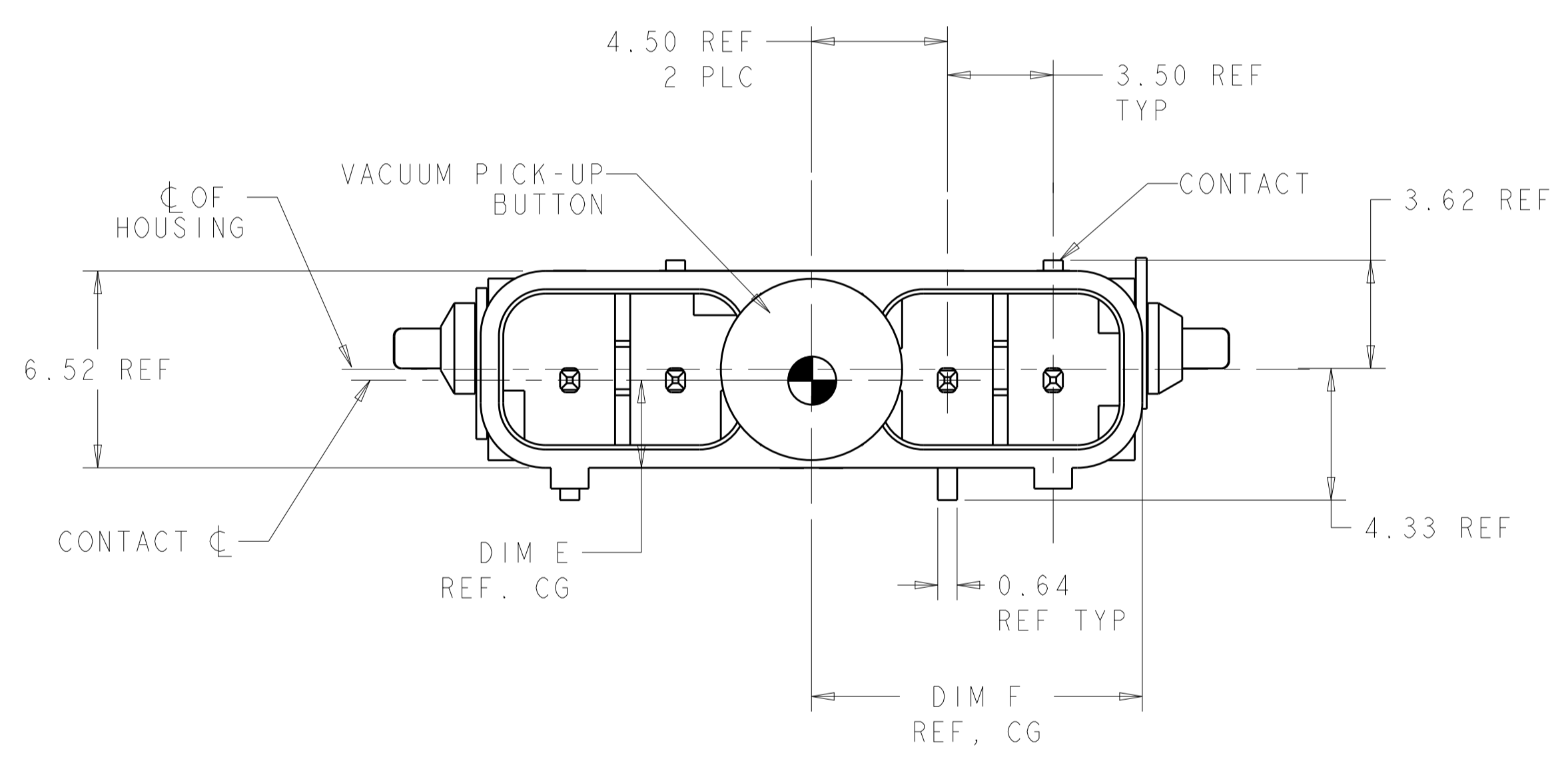
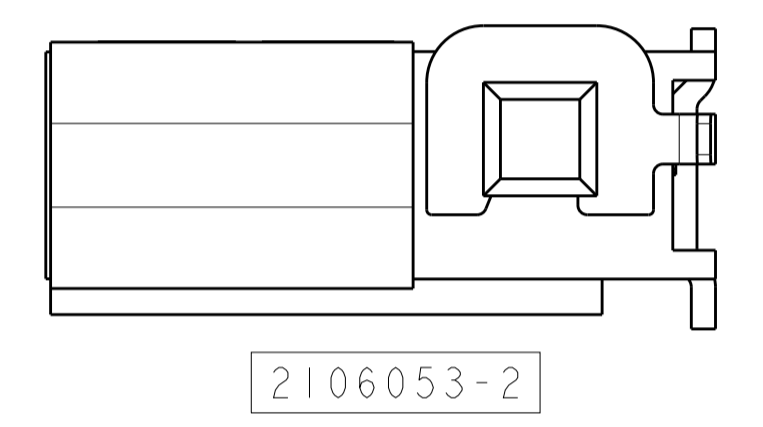
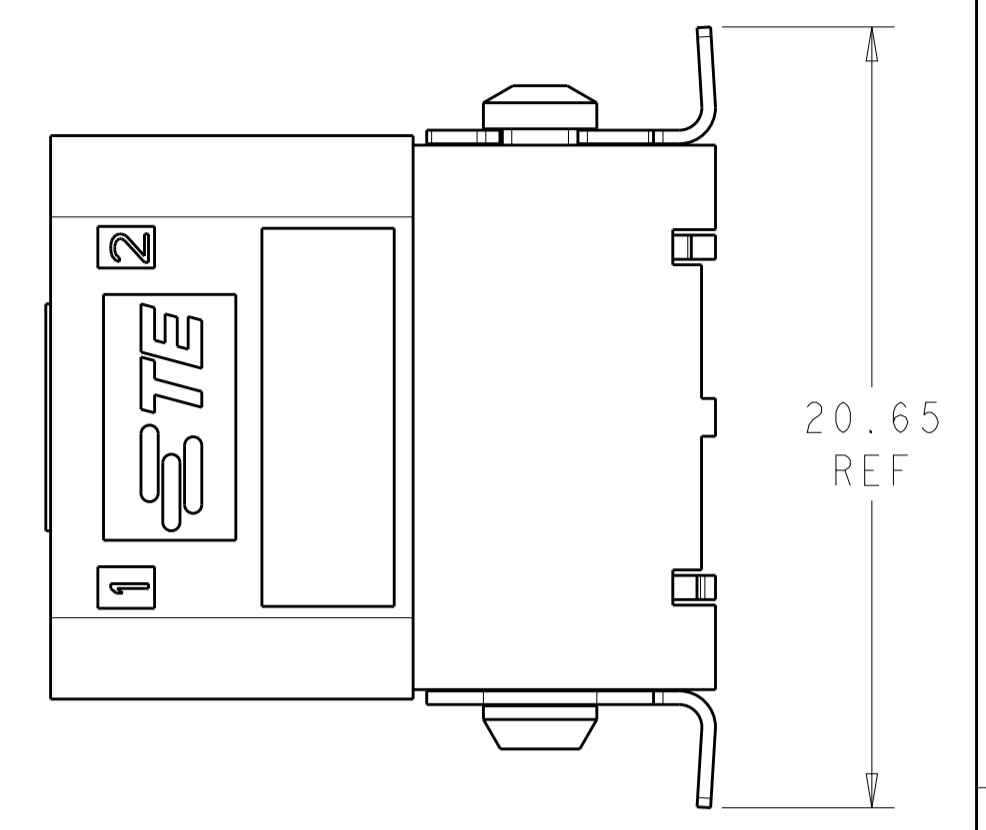


LOC	DIST	REVISIONS					
CM	00	P	LTN	DESCRIPTION	DATE	DWN	APVD
		A1		REVISED PER ECO-11-004820	28MAR2011	RK	HMR
		A2		REVISED PER ECO-12-003780	25FEB2012	HVG	DD
		B		REVISED PER ECR-13-008007	17SEP2013	RS	DD



- 1 MATERIAL: HOUSING: LCP, COLOR: BLACK.
- 2 CONTACTS: BRASS.  
FINISH: 2.54µm MIN MATTE TIN OVER NICKEL (ENTIRE POST).  
HOLDDOWN: COPPER ALLOY.  
FINISH: 2.54µm MIN MATTE TIN OVER NICKEL.
- 3 VACUUM PICK-UP  
BUTTON: POLYIMIDE.
- 4 THIS PRODUCT HAS NOT COMPLETED VALIDATION TESTING.
- 5 RECOMMENDED PC BOARD THICKNESS OF 1.57.
- 6 TAPE AND REEL PACKAGING PER EIA-481 SPEC.
- 7 MUST COMPLY WITH DIRECTIVE 2002/95/EC (ROHS).



10.94	3.19	27.65	21.90	12.46	12.46	4	2106053-6
9.20	3.20	24.15	18.40	8.96	12.46	3	2106053-4
7.44	3.18	20.65	14.90	8.96	8.96	2	2106053-2
DIM F	DIM E	DIM D	DIM C	DIM B	DIM A	POSN	PART NUMBER

THIS DRAWING IS A CONTROLLED DOCUMENT. DWN: HM VAN SCOY 23JAN2009  
 CHK: A. BUCHER 23JAN2009  
 APVD: A. BUCHER 23JAN2009

**STE** TE Connectivity

ASSEMBLY, VERTICAL SMT HEADER, SLIMSEAL SSL CONNECTOR

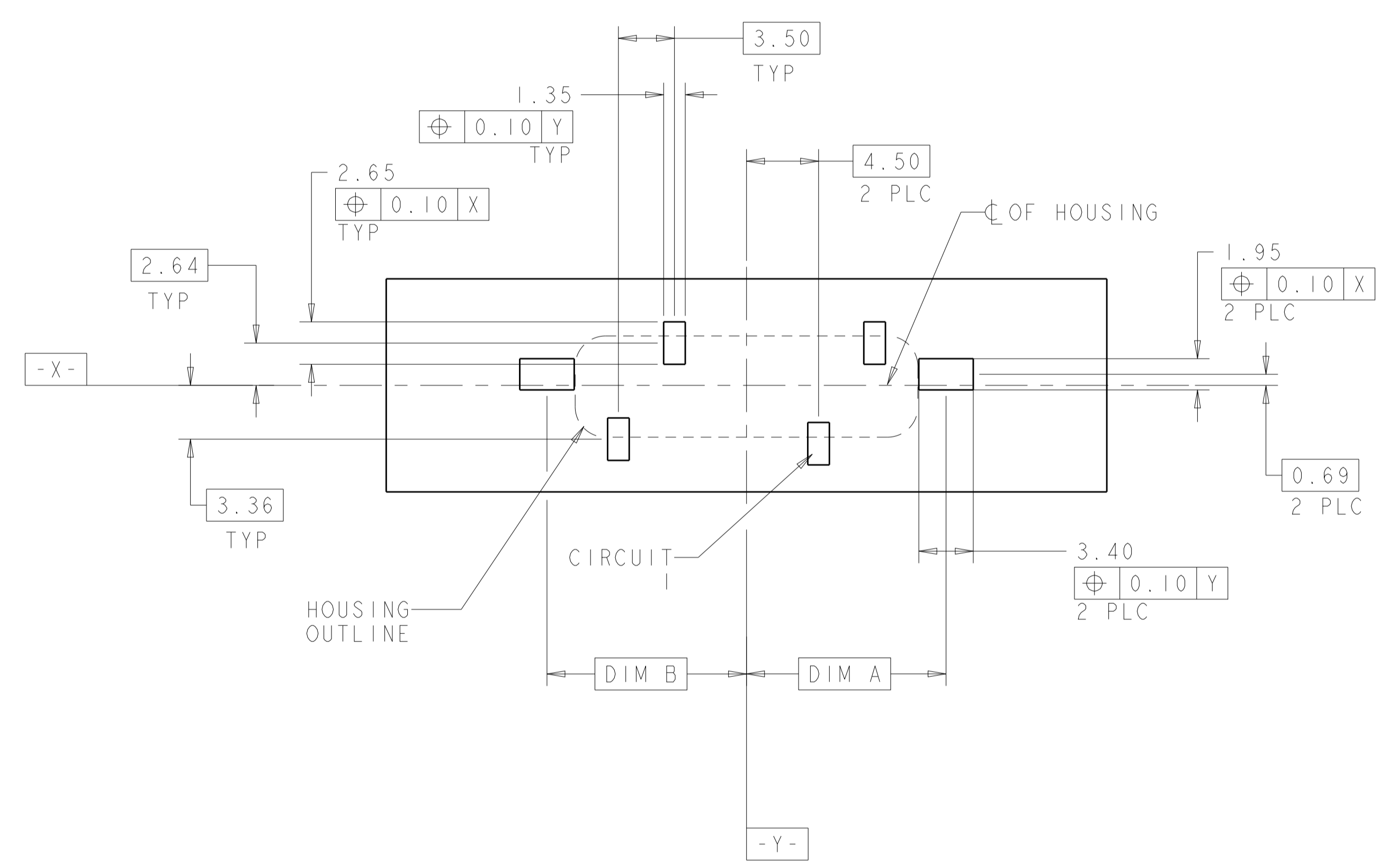
PRODUCT SPEC: 108-2391  
 APPLICATION SPEC: 114-13261  
 WEIGHT: -  
 CUSTOMER DRAWING

DIMENSIONS: mm  
 TOLERANCES UNLESS OTHERWISE SPECIFIED:  
 0 PLC ±0.2  
 1 PLC ±0.15  
 2 PLC ±0.15  
 3 PLC ±0.15  
 4 PLC ±0.15  
 ANGLES ±0.5°

MATERIAL: 1 2 3  
 FINISH: 2

SIZE: A1  
 CAGE CODE: 100779  
 DRAWING NO: 2106053  
 SCALE: 4:1  
 SHEET: 1 OF 2  
 REV: B

LOC	DIST	REVISIONS			
P	LTN	DESCRIPTION	DATE	DWN	APVD
-	-	SEE SHEET 1	-	-	-



RECOMMENDED PC BOARD PAD LAYOUT, COMPONENT SIDE  
 DIMENSIONS APPLY TO ALL POSITIONS UNLESS OTHERWISE NOTED

THIS DRAWING IS A CONTROLLED DOCUMENT.		DWN: MM VAN SCIO 23JAN2009	TE Connectivity
DIMENSIONS: mm		CHK: A. BUCHER 23JAN2009	
TOLERANCES UNLESS OTHERWISE SPECIFIED:		APVD: A. BUCHER 23JAN2009	NAME: ASSEMBLY, VERTICAL SMT HEADER, SLIMSEAL SSL CONNECTOR
0 PLC ±0.2	1 PLC ±0.15	PRODUCT SPEC: 108-2391	SIZE: A100779
2 PLC ±0.15	3 PLC ±0.15	APPLICATION SPEC: 114-13261	CAGE CODE: C=2106053
4 PLC ±0.15	ANGLES ±0°	WEIGHT: -	RESTRICTED TO: -
MATERIAL:		FINISH:	CUSTOMER DRAWING
SCALE: 4:1		SHEET: 2 OF 2	REV: B