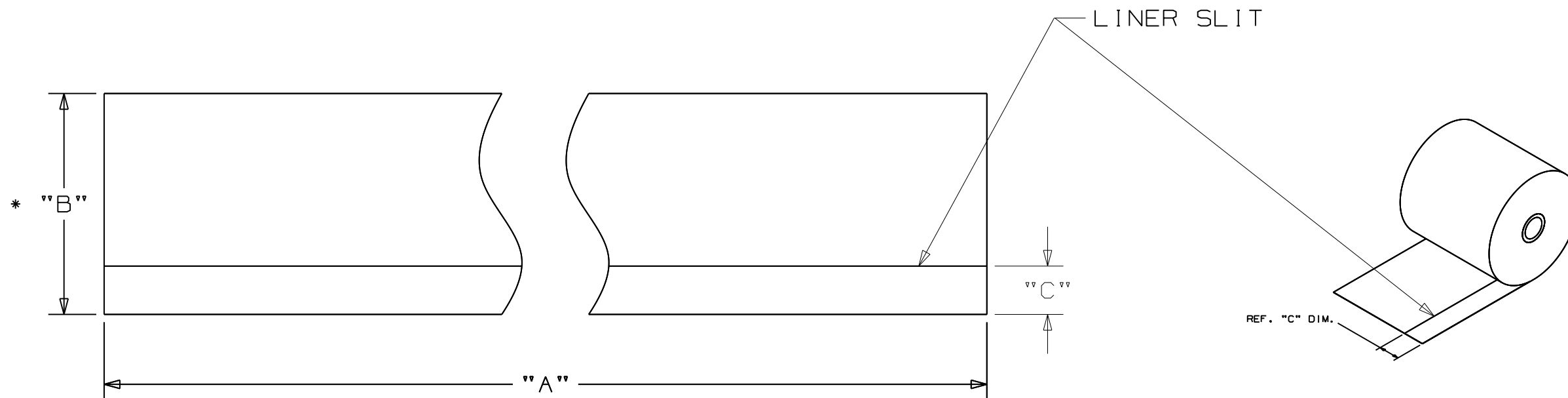


THIS COPY IS PROVIDED ON A RESTRICTED BASIS AND IS NOT TO BE USED IN ANY WAY DETRIMENTAL TO THE INTERESTS OF PANDUIT CORP.

PART NO.	"A" (IN.) MIN.	"B" (IN.)	"C" +/- .031 (IN.)	MATERIAL	COLOR
T100X000YP1	1200	1.00	0.125	GMY3THERM750	WHITE
T200X000YP1	1200	2.00	0.125	GMY3THERM750	WHITE
T400X000YP1	1200	4.00	0.125	GMY3THERM750	WHITE

NOTES:
1. RESIN RIBBON RECOMMENDED.



CAD FILENAME/LAYERS 121043AA_DS_C10990/01EA						
PANDUIT CORP. TINLEY PARK, ILLINOIS						
SUPER-TACK POLYESTER TAPES						
UNLESS OTHERWISE SPECIFIED, DIMENSIONAL TOLERANCES ARE: (.X) ± .062 (.XX) ± .031				UNLESS OTHERWISE SPECIFIED, ALL DIMENSIONS ARE GIVEN IN INCHES, THIRD ANGLE PROJECTION		
DRAWN BY EOY		DATE 05-04-12		MAT'L: SEE TABLE		SCALE NTS
REV	DATE	BY	CHK	DESCRIPTION	ECN - R	CUST SUP
A	05/04/12	EOY		DRAWING RELEASE		
						DWG C10990 SIZE B