

MICRO SWITCH

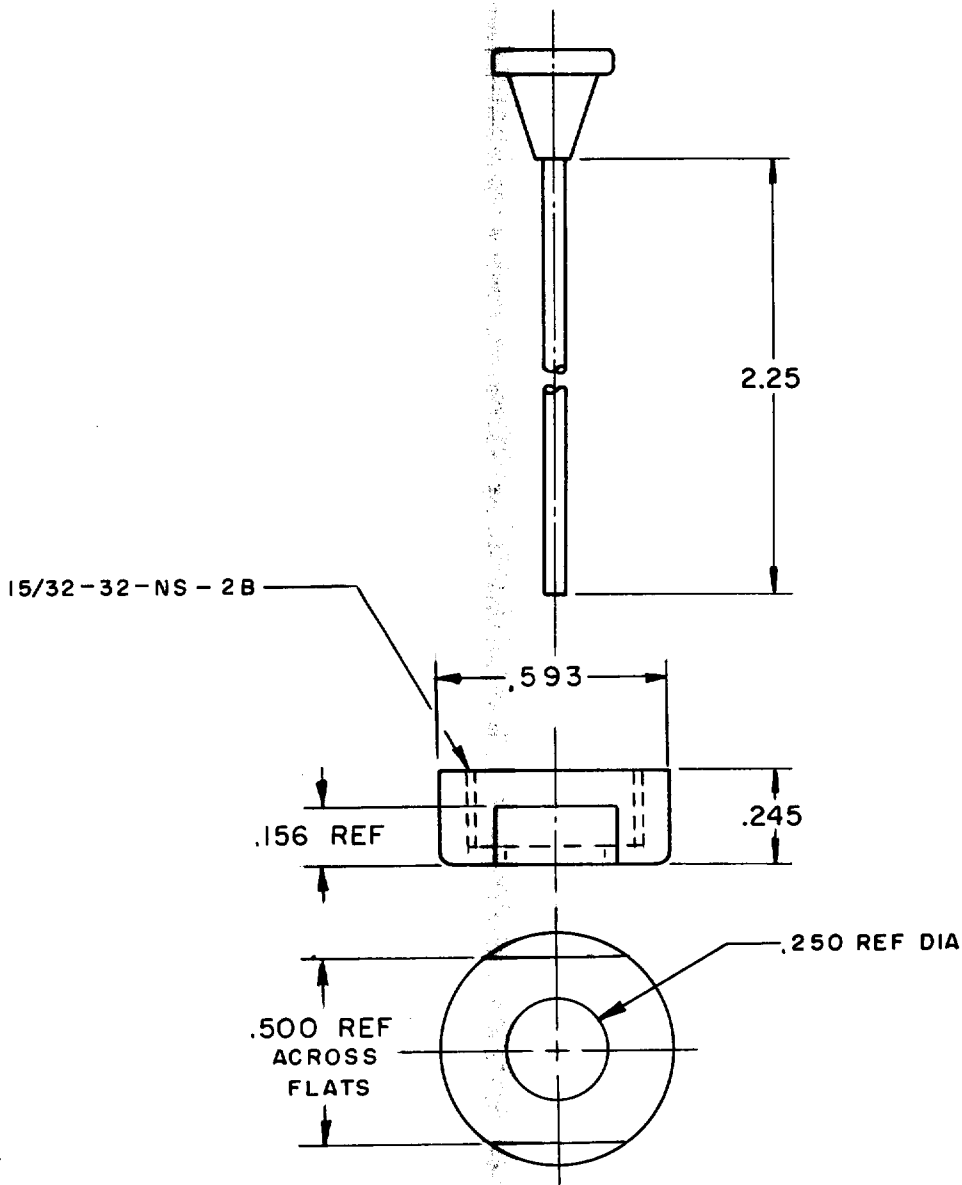
A DIVISION OF MINNEAPOLIS-HONEYWELL REGULATOR COMPANY
FREEPORT, ILLINOIS

FED. MFR. CODE 91929

PACKET

CATALOG LISTING
15PA25

M		RELEASE NO. SR 8723	REPLACES
DRAWING NUMBER			
X 8			
ISSUE			
3			
15PA25			
REVISIONS			
A SR 8723 M B F 6 JAN 60			
B CO 23509 M B F 5 DEC 67			
GCH 7 JAN 60			
BLS 31 DEC 59			
D A W 31, DEC '59			
DRAWN			
FO-5037B			



THIS DRAWING COVERS A PROPRIETARY ITEM AND IS THE PROPERTY OF MICRO SWITCH, A DIVISION OF MINNEAPOLIS-HONEYWELL REGULATOR CO. THIS DRAWING IS NOT TO BE COPIED OR USED WITHOUT THE APPROVAL OF MICRO SWITCH.

CHARACTERISTICS

ELECTRICAL DATA

SCALE 2 TO 1

CONTACT ARRANGEMENT

BREAK DISTANCE

DO NOT SCALE PRINT

UNLESS OTHERWISE SPECIFIED
DIMENSIONS ARE IN INCHES

TOLERANCES ARE:

ONE PLACE (.0)	±.030
TWO PLACE (.00)	±.015
THREE PLACE (.000)	±.005
ANGLES	±

WEIGHT