

RED INDICATES ORIGINAL

DATA CONTAINED IN THIS DOCUMENT IS PROPRIETARY TO TROMPETER ELECTRONICS, INC. AND SHALL NOT BE DISCLOSED, COPIED OR USED FOR REPRODUCTION OR MANUFACTURE WITHOUT EXPRESS WRITTEN PERMISSION.

REV		ECO	DESCRIPTION	OWN	APPROVED	DATE
N		12784A	ADDED 15, 16 & -17; ADDED -DD8 TO TABLE 2; ADDED SST ROPE TO D2 THRU DD8; ADDED TABLES 1 & 2 TO SH 2; SEE ECO	R L		6/9/99

DASH NO	DESCRIPTION	DASH NO	DESCRIPTION
-1	TERM (NO CHAIN)	-10	TERM WITH 10.0 BRASS CHAIN
-2	TERM WITH 2.5 BRASS CHAIN	-11	TERM WITH 10.0 NYLON CHAIN
-3	TERM WITH 2.5 NYLON CHAIN	-12	TERM WITH 2.5 SST ROPE
-4	TERM WITH 3.0 BRASS CHAIN	-13	TERM WITH 3.0 SST ROPE
-5	TERM WITH 3.0 NYLON CHAIN	-14	TERM WITH 6.0 SST ROPE
-6	TERM WITH 6.0 BRASS CHAIN	-15	TERM WITH 4.0 SST ROPE
-7	TERM WITH 6.0 NYLON CHAIN	-16	TERM WITH 7.0 SST ROPE
-8	TERM WITH 4.0 BRASS CHAIN	-17	TERM WITH 4.5 SST ROPE
-9	TERM WITH 4.0 NYLON CHAIN		

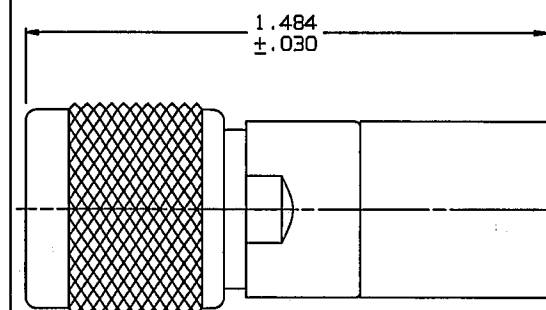
DASH NO	"A" DIA	"B" DIA	"C" DIM	"D" DIA
-D2	.630	.750	1.066	.450
-D3	.505	.625	.941	.388
-D4	.439	.562	.878	.355
-D5	.380	.500	.816	.325
-D6	.317	.437	.753	.295
-D7	.281	.406	.722	.278
-D8	.610	.750	1.066	.450
-D9	.567	.687	1.003	.419
-DD8	.330	.450	.766	.300

INCH	MM
.005	0.13
.010	0.25
.030	0.76
.032	0.81
.062	1.58
.140	3.56
.200	5.08
.25	6.35
.278	7.06
.290	7.37
.295	7.49
.300	7.62

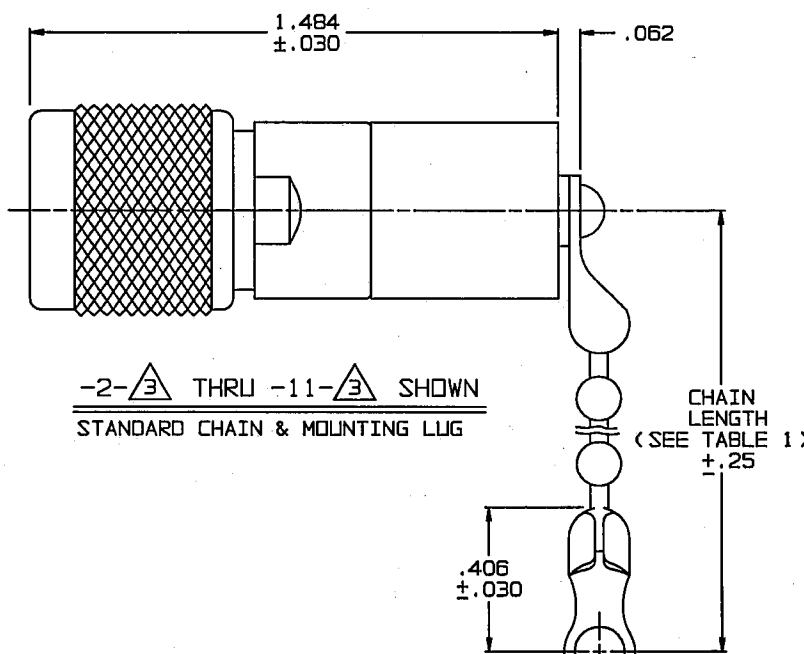
INCH	MM
.325	8.25
.330	8.38
.355	9.02
.380	9.65
.388	9.85
.406	10.31
.419	10.64
.439	11.16
.450	11.43
.500	12.70
.505	12.83
.56	14.22

INCH	MM
.562	14.27
.567	14.40
.610	15.49
.625	15.88
.630	16.00
.650	16.51
.687	17.45
.750	19.05
.766	19.46
.816	20.73
.878	22.30
.941	23.90

INCH	MM
1.003	25.48
1.066	27.08
1.484	37.69
2.5	63.50
3.0	76.20
4.0	101.60
4.5	114.30
6.0	152.40
7.0	177.80
10.0	254.00

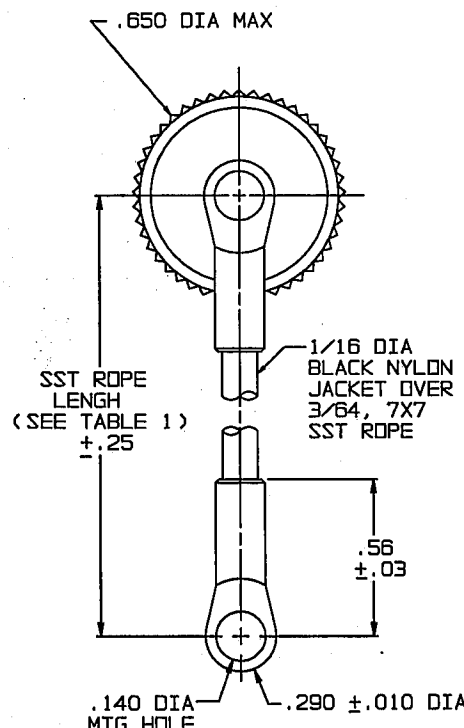


-1- Δ SHOWN
NO CHAIN OR MOUNTING LUG



-2- Δ THRU -11- Δ SHOWN
STANDARD CHAIN & MOUNTING LUG

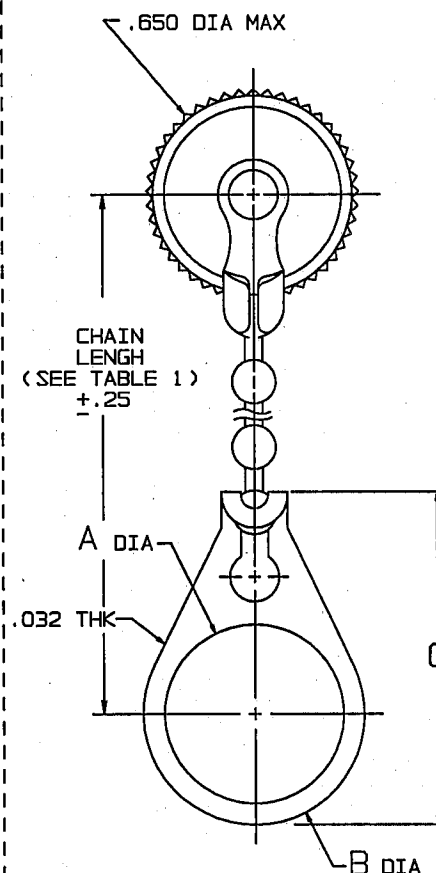
.200 DIA
.140 DIA MTG HOLE



SST ROPE LENGTH (SEE TABLE 1) ±.25

1/16 DIA BLACK NYLON JACKET OVER 3/64, 7X7 SST ROPE

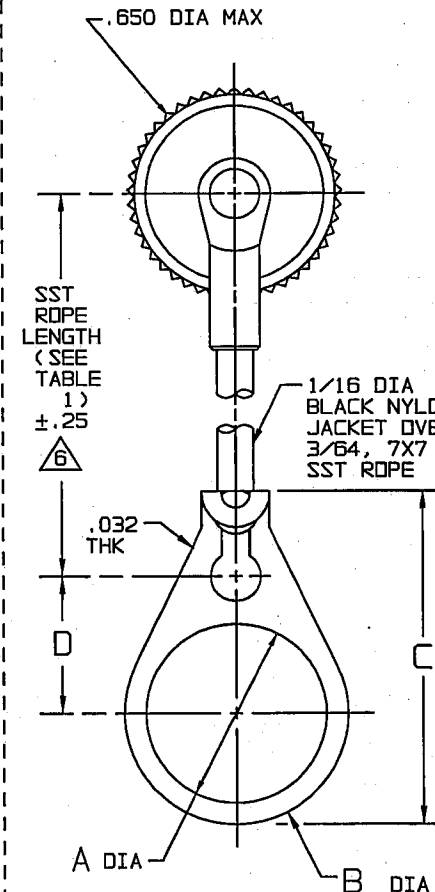
-12- Δ THRU
-17- Δ SHOWN
STAINLESS STEEL ROPE AND MOUNTING LUG



CHAIN LENGTH (SEE TABLE 1) ±.25

A DIA
.032 THK

-2- Δ -D2 THRU
-11- Δ -DD8 SHOWN
STANDARD CHAIN AND BULKHEAD JACK MOUNTING LUG



SST ROPE LENGTH (SEE TABLE 1) ±.25

.032 THK

-12- Δ -D2 THRU
-17- Δ -DD8 SHOWN
STAINLESS STEEL ROPE AND BULKHEAD JACK MOUNTING LUG

Δ NOTE LENGTH FOR SST ROPE WITH MTG LUG OPTION IS NOT MEASURED TO CENTER OF BULKHEAD MTG LUG

5. EXAMPLE OF COMPLETE MODEL NO: TNH1 - 2 - Δ - D2

BASIC MODEL NO
TNH1 (50 OHM)
UTNH1 (75 OHM)

CHAIN/ROPE MATL AND LENGTH (SEE TABLE 1)

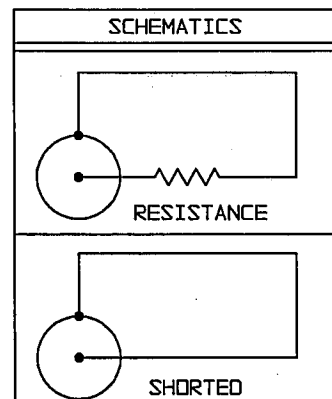
BULKHEAD JACK MOUNTING LUG (OPTIONAL) AVAILABLE WITH BRASS CHAIN, NYLON CHAIN & SST ROPE (SEE TABLE 2)

4. TERMINATED MALE COAXIAL 50 & 75 OHMS TNC TYPE PLUG WITH CHAIN & MOUNTING LUG OPTIONS

Δ RESISTANCE VALUE IN OHMS (1/2W, 1%)
S = PIN SHORTED TO CASE (NO RESISTOR)

2. FINISH: TFS-1A (NICKEL)

1. ALL DIMENSIONS ARE IN INCHES



QTY	DESCRIPTION	PART NUMBER	ITEM
TOL UNLESS SPECIFIED +.005 -.005 ANGLES	TROMPETER ELECTRONICS, INC.	TNH1/UTNH1	
DWN R L 4/13/99	MATERIAL	CODE IDENT	DRAWING NO.
CHK 16 7/6-99	14949	102-0008	REV N
ENGR 16 7/6-99	SCALE 4/1	DATE 7-12-98	SHEET 1C
APPR 16 7/6-99			



[Search](#) |
 [Parts Entry](#) |
 [Product Category](#) |
 [Product Selection](#) |
 [View Cart](#) |
 [Check Out](#) |
 [Log In](#) |
 [Log Off](#)

Current Selected Criteria: Part Number Beginning With "UTNH1-3-75-D3"

When placing an order for bulk cable in lengths other than /100, /200, /500, and /1000 ft a \$10 cutting charge per length will be added to your order by the factory

Add to Cart Instructions: Enter A Quantity Then Click on the View Cart or Checkout Tabs

[< Go Back](#)

*Click on Highlighted Part Number to View Engineering PDF Specs **Historical shipping history on this part for most recent months is XX days

Part Number	Description	ITAR	RoHS	Usually Ships In**	View Discounts	Quote	Price	Buy Quantity
UTNH1-3-75-D3	TERMINATION	Y	RoHS-5	30 DAYS	View Discounts	Quote	\$30.26	



[Search](#)
[Parts Entry](#)
[Product Category](#)
[Product Selection](#)
[View Cart](#)
[Check Out](#)
[Log In](#)
[Log Off](#)

Current Selected Criteria: Part Number Beginning With "UTNH1-1-75"

When placing an order for bulk cable in lengths other than /100, /200, /500, and /1000 ft a \$10 cutting charge per length will be added to your order by the factory

Add to Cart Instructions: Enter A Quantity Then Click on the View Cart or Checkout Tabs

[< Go Back](#)

*Click on Highlighted Part Number to View Engineering PDF Specs

**Historical

shipping history on this part for most recent months is XX days

Part Number	Description	ITAR	RoHS	Usually Ships In**	View Discounts	Quote	Price	Buy Quantity
UTNH1-1-75	TERMINATION	Y	RoHS-5	30 DAYS	View Discounts	Quote	\$24.60	



[Search](#) |
 [Parts Entry](#) |
 [Product Category](#) |
 [Product Selection](#) |
 [View Cart](#) |
 [Check Out](#) |
 [Log In](#) |
 [Log Off](#)

Current Selected Criteria: Part Number Beginning With "UTNH1-15-75"

When placing an order for bulk cable in lengths other than /100, /200, /500, and /1000 ft a \$10 cutting charge per length will be added to your order by the factory

Add to Cart Instructions: Enter A Quantity Then Click on the View Cart or Checkout Tabs

[< Go Back](#)

*Click on Highlighted Part Number to View Engineering PDF Specs **Historical shipping history on this part for most recent months is XX days

Part Number	Description	ITAR	RoHS	Usually Ships In**	View Discounts	Quote	Price	Buy Quantity
UTNH1-15-75	TERMINATION	Y	RoHS-5	30 DAYS	View Discounts	Quote	\$43.81	



[Search](#) |
 [Parts Entry](#) |
 [Product Category](#) |
 [Product Selection](#) |
 [View Cart](#) |
 [Check Out](#) |
 [Log In](#) |
 [Log Off](#)

Current Selected Criteria: Part Number Beginning With "UTNH1-14-75-D3"

When placing an order for bulk cable in lengths other than /100, /200, /500, and /1000 ft a \$10 cutting charge per length will be added to your order by the factory

Add to Cart Instructions: Enter A Quantity Then Click on the View Cart or Checkout Tabs

[< Go Back](#)

*Click on Highlighted Part Number to View Engineering PDF Specs **Historical shipping history on this part for most recent months is XX days

Part Number	Description	ITAR	RoHS	Usually Ships In**	View Discounts	Quote	Price	Buy Quantity
UTNH1-14-75-D3	TERMINATION	Y	RoHS-5	30 DAYS	View Discounts	Quote	\$43.81	



[Search](#) |
 [Parts Entry](#) |
 [Product Category](#) |
 [Product Selection](#) |
 [View Cart](#) |
 [Check Out](#) |
 [Log In](#) |
 [Log Off](#)

Current Selected Criteria: Part Number Beginning With "TNH1-8-50"

When placing an order for bulk cable in lengths other than /100, /200, /500, and /1000 ft a \$10 cutting charge per length will be added to your order by the factory

Add to Cart Instructions: Enter A Quantity Then Click on the View Cart or Checkout Tabs

[< Go Back](#)

*Click on Highlighted Part Number to View Engineering PDF Specs **Historical shipping history on this part for most recent months is XX days

Part Number	Description	ITAR	RoHS	Usually Ships In**	View Discounts	Quote	Price	Buy Quantity
TNH1-8-50	TERMINATION	Y	RoHS-5	30 DAYS	View Discounts	Quote	\$22.62	

[Search](#) |
 [Parts Entry](#) |
 [Product Category](#) |
 [Product Selection](#) |
 [View Cart](#) |
 [Check Out](#) |
 [Log In](#) |
 [Log Off](#)

Current Selected Criteria: Part Number Beginning With "TNH1-7-50-D3"

When placing an order for bulk cable in lengths other than /100, /200, /500, and /1000 ft a \$10 cutting charge per length will be added to your order by the factory

Add to Cart Instructions: Enter A Quantity Then Click on the View Cart or Checkout Tabs

[< Go Back](#)

*Click on Highlighted Part Number to View Engineering PDF Specs **Historical shipping history on this part for most recent months is XX days

Part Number	Description	ITAR	RoHS	Usually Ships In**	View Discounts	Quote	Price	Buy Quantity
TNH1-7-50-D3	TERMINATION	Y	RoHS-5	STOCK	View Discounts	Quote	\$0.00	



[Search](#) |
 [Parts Entry](#) |
 [Product Category](#) |
 [Product Selection](#) |
 [View Cart](#) |
 [Check Out](#) |
 [Log In](#) |
 [Log Off](#)

Current Selected Criteria: Part Number Beginning With "TNH1-7-50-D2"

When placing an order for bulk cable in lengths other than /100, /200, /500, and /1000 ft a \$10 cutting charge per length will be added to your order by the factory

Add to Cart Instructions: Enter A Quantity Then Click on the View Cart or Checkout Tabs

[< Go Back](#)

*Click on Highlighted Part Number to View Engineering PDF Specs **Historical shipping history on this part for most recent months is XX days

Part Number	Description	ITAR	RoHS	Usually Ships In**	View Discounts	Quote	Price	Buy Quantity
TNH1-7-50-D2	TERMINATION	Y	RoHS-5	30 DAYS	View Discounts	Quote	\$31.75	



[Search](#) |
 [Parts Entry](#) |
 [Product Category](#) |
 [Product Selection](#) |
 [View Cart](#) |
 [Check Out](#) |
 [Log In](#) |
 [Log Off](#)

Current Selected Criteria: Part Number Beginning With "TNH1-6-50-D3"

When placing an order for bulk cable in lengths other than /100, /200, /500, and /1000 ft a \$10 cutting charge per length will be added to your order by the factory

Add to Cart Instructions: Enter A Quantity Then Click on the View Cart or Checkout Tabs

[< Go Back](#)

*Click on Highlighted Part Number to View Engineering PDF Specs **Historical shipping history on this part for most recent months is XX days

Part Number	Description	ITAR	RoHS	Usually Ships In**	View Discounts	Quote	Price	Buy Quantity
TNH1-6-50-D3	TERMINATION	Y	RoHS-5	30 DAYS	View Discounts	Quote	\$31.75	

[Search](#) |
 [Parts Entry](#) |
 [Product Category](#) |
 Product Selection |
 [View Cart](#) |
 [Check Out](#) |
 [Log In](#) |
 [Log Off](#)

Current Selected Criteria: Part Number Beginning With "TNH1-6-50"

When placing an order for bulk cable in lengths other than /100, /200, /500, and /1000 ft a \$10 cutting charge per length will be added to your order by the factory

Add to Cart Instructions: Enter A Quantity Then Click on the View Cart or Checkout Tabs

[< Go Back](#)

*Click on Highlighted Part Number to View Engineering PDF Specs **Historical shipping history on this part for most recent months is XX days

Part Number	Description	ITAR	RoHS	Usually Ships In**	View Discounts	Quote	Price	Buy Quantity
TNH1-6-50	TERMINATION	Y	RoHS-5	30 DAYS	View Discounts	Quote	\$22.62	
TNH1-6-50-D3	TERMINATION	Y	RoHS-5	30 DAYS	View Discounts	Quote	\$31.75	

[Search](#) |
 [Parts Entry](#) |
 [Product Category](#) |
 Product Selection |
 [View Cart](#) |
 [Check Out](#) |
 [Log In](#) |
 [Log Off](#)

Current Selected Criteria: Part Number Beginning With "TNH1-4-50-D3"

When placing an order for bulk cable in lengths other than /100, /200, /500, and /1000 ft a \$10 cutting charge per length will be added to your order by the factory

Add to Cart Instructions: Enter A Quantity Then Click on the View Cart or Checkout Tabs

[< Go Back](#)

*Click on Highlighted Part Number to View Engineering PDF Specs **Historical shipping history on this part for most recent months is XX days

Part Number	Description	ITAR	RoHS	Usually Ships In**	View Discounts	Quote	Price	Buy Quantity
TNH1-4-50-D3	TERMINATION	Y	RoHS-5	30 DAYS	View Discounts	Quote	\$31.75	

[Search](#) |
 [Parts Entry](#) |
 [Product Category](#) |
 Product Selection |
 [View Cart](#) |
 [Check Out](#) |
 [Log In](#) |
 [Log Off](#)

Current Selected Criteria: Part Number Beginning With "TNH1-4-50"

When placing an order for bulk cable in lengths other than /100, /200, /500, and /1000 ft a \$10 cutting charge per length will be added to your order by the factory

Add to Cart Instructions: Enter A Quantity Then Click on the View Cart or Checkout Tabs

[< Go Back](#)

*Click on Highlighted Part Number to View Engineering PDF Specs **Historical shipping history on this part for most recent months is XX days

Part Number	Description	ITAR	RoHS	Usually Ships In**	View Discounts	Quote	Price	Buy Quantity
TNH1-4-50	TERMINATION	Y	RoHS-5	30 DAYS	View Discounts	Quote	\$22.62	
TNH1-4-50-D3	TERMINATION	Y	RoHS-5	30 DAYS	View Discounts	Quote	\$31.75	



[Search](#) |
 [Parts Entry](#) |
 [Product Category](#) |
 [Product Selection](#) |
 [View Cart](#) |
 [Check Out](#) |
 [Log In](#) |
 [Log Off](#)

Current Selected Criteria: Part Number Beginning With "TNH1-2-50"

When placing an order for bulk cable in lengths other than /100, /200, /500, and /1000 ft a \$10 cutting charge per length will be added to your order by the factory

Add to Cart Instructions: Enter A Quantity Then Click on the View Cart or Checkout Tabs

[< Go Back](#)

*Click on Highlighted Part Number to View Engineering PDF Specs **Historical shipping history on this part for most recent months is XX days

Part Number	Description	ITAR	RoHS	Usually Ships In**	View Discounts	Quote	Price	Buy Quantity
TNH1-2-50	TERMINATION	Y	RoHS-5	30 DAYS	View Discounts	Quote	\$22.62	



[Search](#) |
 [Parts Entry](#) |
 [Product Category](#) |
 [Product Selection](#) |
 [View Cart](#) |
 [Check Out](#) |
 [Log In](#) |
 [Log Off](#)

Current Selected Criteria: Part Number Beginning With "TNH1-1-75"

When placing an order for bulk cable in lengths other than /100, /200, /500, and /1000 ft a \$10 cutting charge per length will be added to your order by the factory

Add to Cart Instructions: Enter A Quantity Then Click on the View Cart or Checkout Tabs

[< Go Back](#)

*Click on Highlighted Part Number to View Engineering PDF Specs **Historical shipping history on this part for most recent months is XX days

Part Number	Description	ITAR	RoHS	Usually Ships In**	View Discounts	Quote	Price	Buy Quantity
TNH1-1-75	TERMINATION	Y	RoHS-5	STOCK	View Discounts	Quote	\$17.36	

[Search](#) |
 [Parts Entry](#) |
 [Product Category](#) |
 [Product Selection](#) |
 [View Cart](#) |
 [Check Out](#) |
 [Log In](#) |
 [Log Off](#)

Current Selected Criteria: Part Number Beginning With "TNH1-1-50"

When placing an order for bulk cable in lengths other than /100, /200, /500, and /1000 ft a \$10 cutting charge per length will be added to your order by the factory

Add to Cart Instructions: Enter A Quantity Then Click on the View Cart or Checkout Tabs

[< Go Back](#)

*Click on Highlighted Part Number to View Engineering PDF Specs **Historical shipping history on this part for most recent months is XX days

Part Number	Description	ITAR	RoHS	Usually Ships In**	View Discounts	Quote	Price	Buy Quantity
TNH1-1-50	TERMINATION	N	RoHS-5	STOCK	View Discounts	Quote	\$17.36	



[Search](#) |
 [Parts Entry](#) |
 [Product Category](#) |
 [Product Selection](#) |
 [View Cart](#) |
 [Check Out](#) |
 [Log In](#) |
 [Log Off](#)

Current Selected Criteria: Part Number Beginning With "TNH1-14-50-D3"

When placing an order for bulk cable in lengths other than /100, /200, /500, and /1000 ft a \$10 cutting charge per length will be added to your order by the factory

Add to Cart Instructions: Enter A Quantity Then Click on the View Cart or Checkout Tabs

[< Go Back](#)

*Click on Highlighted Part Number to View Engineering PDF Specs **Historical shipping history on this part for most recent months is XX days

Part Number	Description	ITAR	RoHS	Usually Ships In**	View Discounts	Quote	Price	Buy Quantity
TNH1-14-50-D3	TERMINATION	Y	RoHS-5	30 DAYS	View Discounts	Quote	\$43.81	

[Search](#) |
 [Parts Entry](#) |
 [Product Category](#) |
 [Product Selection](#) |
 [View Cart](#) |
 [Check Out](#) |
 [Log In](#) |
 [Log Off](#)

Current Selected Criteria: Part Number Beginning With "TNH1-13-50"

When placing an order for bulk cable in lengths other than /100, /200, /500, and /1000 ft a \$10 cutting charge per length will be added to your order by the factory

Add to Cart Instructions: Enter A Quantity Then Click on the View Cart or Checkout Tabs

[< Go Back](#)

*Click on Highlighted Part Number to View Engineering PDF Specs **Historical shipping history on this part for most recent months is XX days

Part Number	Description	ITAR	RoHS	Usually Ships In**	View Discounts	Quote	Price	Buy Quantity
TNH1-13-50	TERMINATION	Y	Non-Compliant	30 DAYS	View Discounts	Quote	\$27.99	



[Search](#) |
 [Parts Entry](#) |
 [Product Category](#) |
 [Product Selection](#) |
 [View Cart](#) |
 [Check Out](#) |
 [Log In](#) |
 [Log Off](#)

Current Selected Criteria: Part Number Beginning With "TNH1-12-50-D3"

When placing an order for bulk cable in lengths other than /100, /200, /500, and /1000 ft a \$10 cutting charge per length will be added to your order by the factory

Add to Cart Instructions: Enter A Quantity Then Click on the View Cart or Checkout Tabs

[< Go Back](#)

*Click on Highlighted Part Number to View Engineering PDF Specs **Historical shipping history on this part for most recent months is XX days

Part Number	Description	ITAR	RoHS	Usually Ships In**	View Discounts	Quote	Price	Buy Quantity
TNH1-12-50-D3	TERNINATION	Y	Non-Compliant	30 DAYS	View Discounts	Quote	\$43.81	

Mouser Electronics

Authorized Distributor

Click to View Pricing, Inventory, Delivery & Lifecycle Information:

[Cinch Connectivity Solutions:](#)

[TNH1-4-50-D3](#)