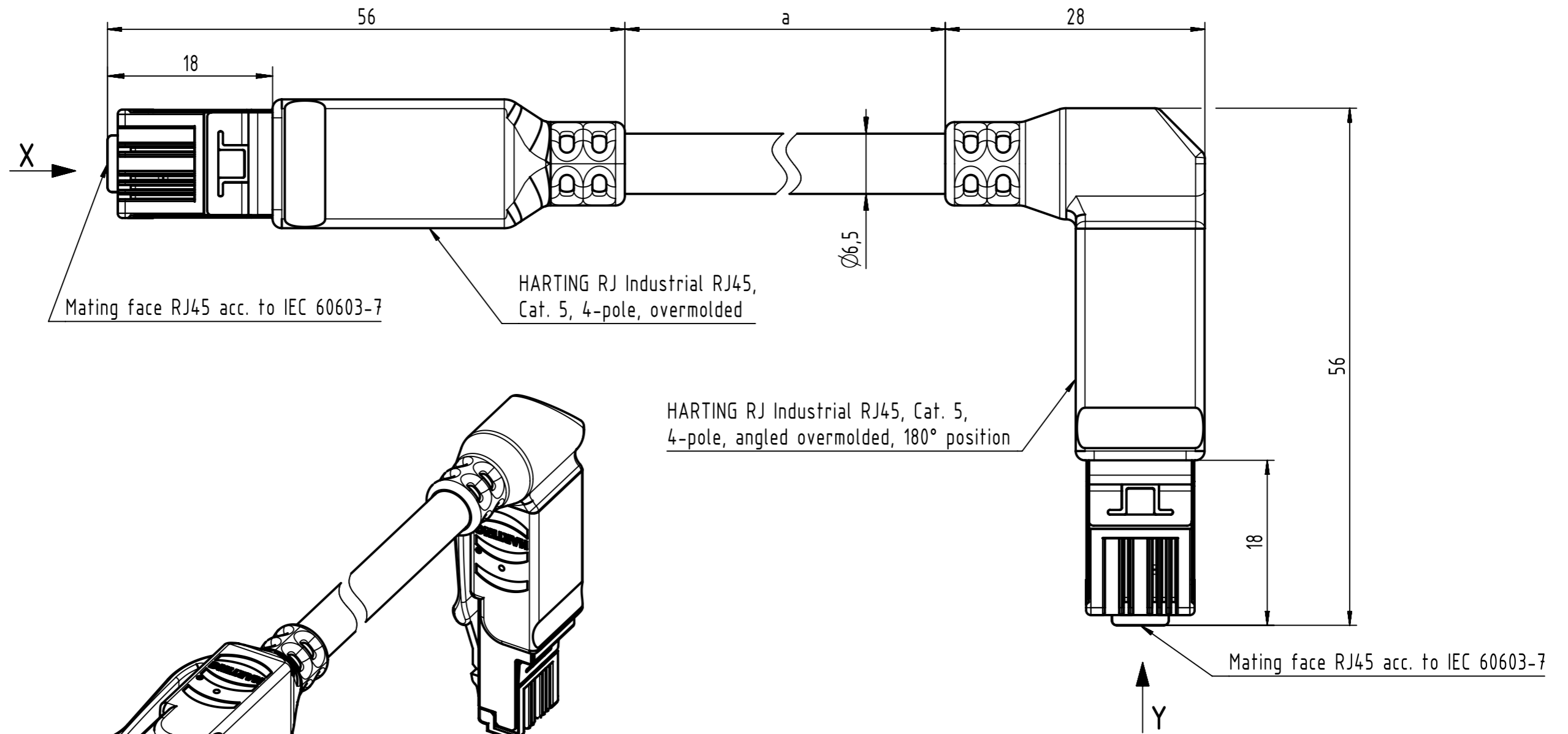


Connector Location A

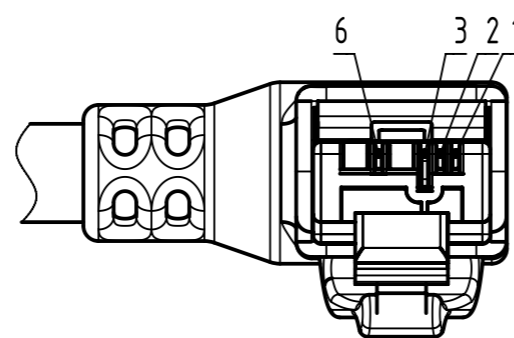
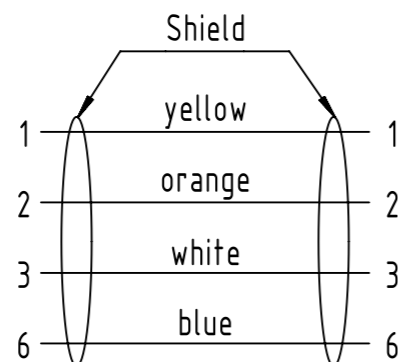
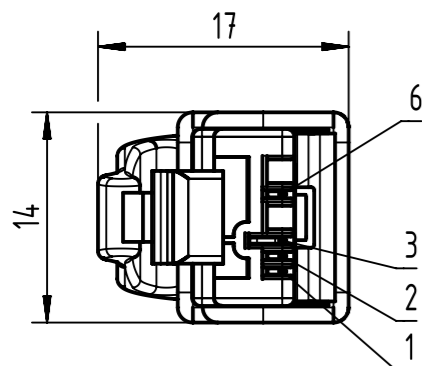
Connector Location B



X male

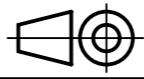

Loading-Plan

Y male




- Protection level: IP20  
 - Temperature range: -40°C ... +70°C

All rights reserved Department HCS - RO HARTING Customised Solutions D-32339 Espelkamp		All Dimensions in mm Tech. Character. Created by COSTEA Inspected by STOCHECIC Standardisation MUNTEANV Date 2018-08-27 State Final Release	Free size tol. According to production drawing	Doc-Key / ECM-Nr. 100155365/UGD/004/G 500000139222 Rev. G Page 1/3
Title RJ Industrial Cable Assembly Type TB Number 09470502XXX				

1	2	3	4	5	6	7	8			
RJ45 Ethernet stranded cable, 4xAWG22/7, PVC, Cat. 5+, green										
45	09470502044		100							
44	09470502043		90							
43	09470502042		80							
42	09470502041		70							
41	09470502040		60							
40	09470502039		50							
39	09470502038		40							
38	09470502037		30							
37	09470502036		20							
36	09470502035		15							
35	09470502034		10							
34	09470502033		9							
33	09470502032		8							
32	09470502031		7							
31	09470502030		6							
30	09470502029		5							
29	09470502028		4							
28	09470502027		3							
27	09470502026		2							
26	09470502025		1.5							
25	09470502024		1							
24	09470502091		0.8							
23	09470502023		0.5							
22	09470502022		100							
21	09470502021		90							
20	09470502020		80							
19	09470502019		70							
18	09470502018		60							
17	09470502017		50							
16	09470502016		40							
15	09470502015		30							
14	09470502014		20							
13	09470502013		15							
12	09470502012		10							
11	09470502011		9							
10	09470502010		8							
9	09470502009		7							
8	09470502008		6							
7	09470502007		5							
6	09470502006		4							
5	09470502005		3							
4	09470502004		2							
3	09470502003		1.5							
2	09470502002		1							
1	09470502001		0.5							
Cont. no.	Part no.	Type of cable	Dim a[m]							
RJ45 Ethernet trailing cable, AWG22/7, 2x2x0.75, PUR, Cat. 5+, green										
77	09470502066		100							
76	09470502065		90							
75	09470502064		80							
74	09470502063		70							
73	09470502062		60							
72	09470502061		50							
71	09470502060		40							
70	09470502059		30							
69	09470502058		20							
68	09470502057		15							
67	09470502089		13							
66	09470502090		12							
65	09470502056		10							
64	09470502055		9							
63	09470502054		8							
62	09470502053		7							
61	09470502099		6.2							
60	09470502052		6							
59	09470502051		5							
58	09470502050		4							
57	09470502049		3							
56	09470502095		2.4							
55	09470502094		2.2							
54	09470502048		2							
53	09470502093		1.8							
52	09470502092		1.6							
51	09470502047		1.5							
50	09470502098		1.45							
49	09470502096		1.4							
48	09470502097		1.25							
47	09470502046		1							
46	09470502045		0.5							
Cont. no.	Part no.	Type of cable	Dim. a[m]							
				 All Dimensions in mm		Tech. Character.		Free size tol.	According to production drawing	
				 All rights reserved Department HCS - RO		Created by COSTEA	Inspected by STOCHECIC	Standardisation MUNTEANV	Date 2018-08-27	State Final Release
				HARTING Customised Solutions D-32339 Espelkamp		Title RJ Industrial Cable Assembly			Doc-Key / ECM-Nr. 100155365/UGD/004/G 500000139222	
				Type TB	Number 09470502XXX			Rev. G	Page 2/3	

1	2	3	4	5	6	7	8
RJ45 Ethernet stranded cable, AWG22/7, 2x2x0.75, outdoor, PVC, Cat. 5+, black							
99	09470502088		100				
98	09470502087		90				
97	09470502086		80				
96	09470502085		70				
95	09470502084		60				
94	09470502083		50				
93	09470502082		40				
92	09470502081		30				
91	09470502080		20				
90	09470502079		15				
89	09470502078		10				
88	09470502077		9				
87	09470502076		8				
86	09470502075		7				
85	09470502074		6				
84	09470502073		5				
83	09470502072		4				
82	09470502071		3				
81	09470502070		2				
80	09470502069		1.5				
79	09470502068		1				
78	09470502067		0.5				
Cont. no.	Part no.	Type of cable	Dim a[m]				

	All rights reserved	Created by COSTEA	Inspected by STOCHECIC	Standardisation MUNTEANV	Date 2018-08-27	State Final Release	
	Department HCS - RO	Title RJ Industrial Cable Assembly				Doc-Key / ECM-Nr. 100155365/UGD/004/G 500000139222	
HARTING Customised Solutions D-32339 Espelkamp		Type TB	Number 09470502XXX			Rev. G	Page 3/3

# Mouser Electronics

Authorized Distributor

Click to View Pricing, Inventory, Delivery & Lifecycle Information:

[HARTING:](#)

[09470502005](#) [09470502026](#) [09470502027](#) [09470502089](#) [09470502090](#) [09470502054](#) [09470502024](#)