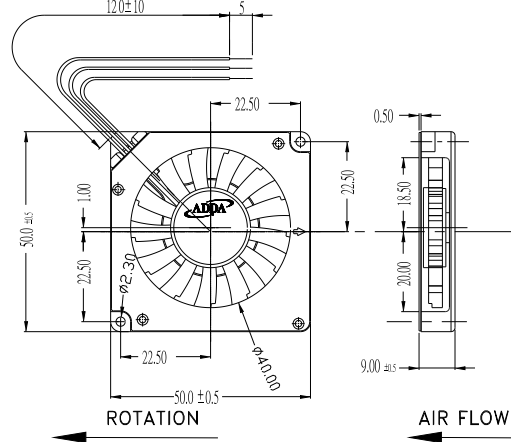


◀ 50X50X09mm Series ▶



Spot cooling, also suitable for small space requirements, laptops PC and notebook, etc.,.

External Dimensions



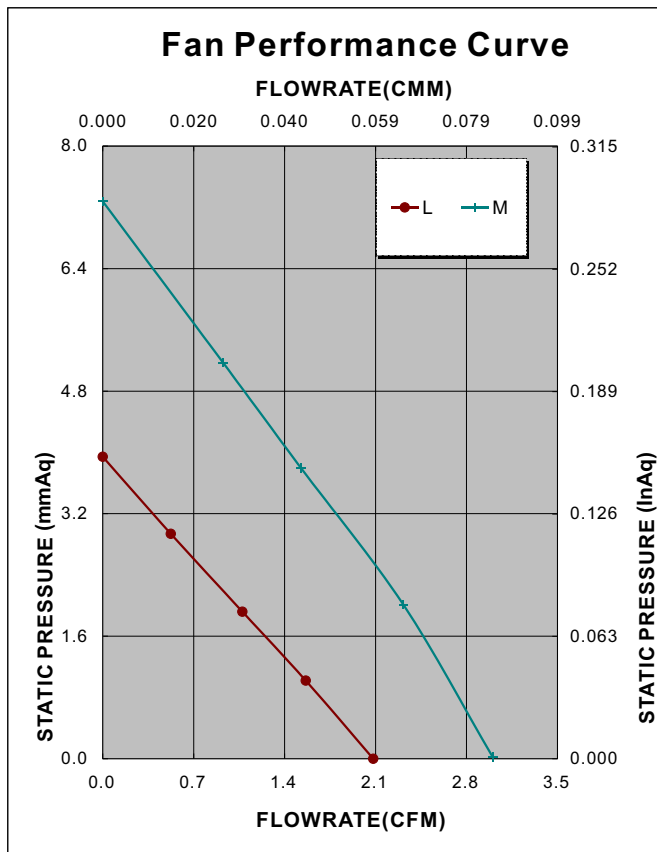
Frame: Plastic (UL:94v-0)
 Impeller: Plastic (UL:94v-0)
 Bearing: Hydro bearing
 Lead wire: UL1571AWG28
 OPERATING TEMP*: -10C~70C
 VOLTAGE AVAILABLE: 5V, 12V
 *: -10C~60C for fans with sleeve/ball combination bearings.

Specifications (Nominal)

*: Noise is measured at the distance of one (1) meter from the axis of intake.

Frame size (mm)	Model No.	Bearing System Type	Rated Voltage (v)	Rated Current (A)	Rated Power (W)	Rated Speed (rpm)	Bearing type: =Ball =Sleeve =1B1S =Hydro bearing				Weight (g)	
							Maximum AirFlow (CMM)	Maximum AirFlow (CFM)	Maximum Pressure (InAq)	Maximum Pressure (mmAq)		Noise Level (dB/A)
50x50x09	AB0505LB-RB1		5	0.12	0.600	4000	0.059	2.08	0.158	3.94	31.7	31.5
	AB0505MB-RB1		5	0.17	0.850	5000	0.085	3.00	0.291	7.28	30.5	
	AB0505LB-RB3		5	0.12	0.600	4000	0.059	2.08	0.158	3.94	31.7	
	AB0505MB-RB3		5	0.17	0.850	5000	0.085	3.00	0.291	7.28	30.5	

Specifications subject to change without notice.



*Motor protective circuit and third lead wire functions

0	1	2	3	4	6	7	8	9	A	B
	✓		✓							

*Safety approvals

✓	✓		✓	✓	

