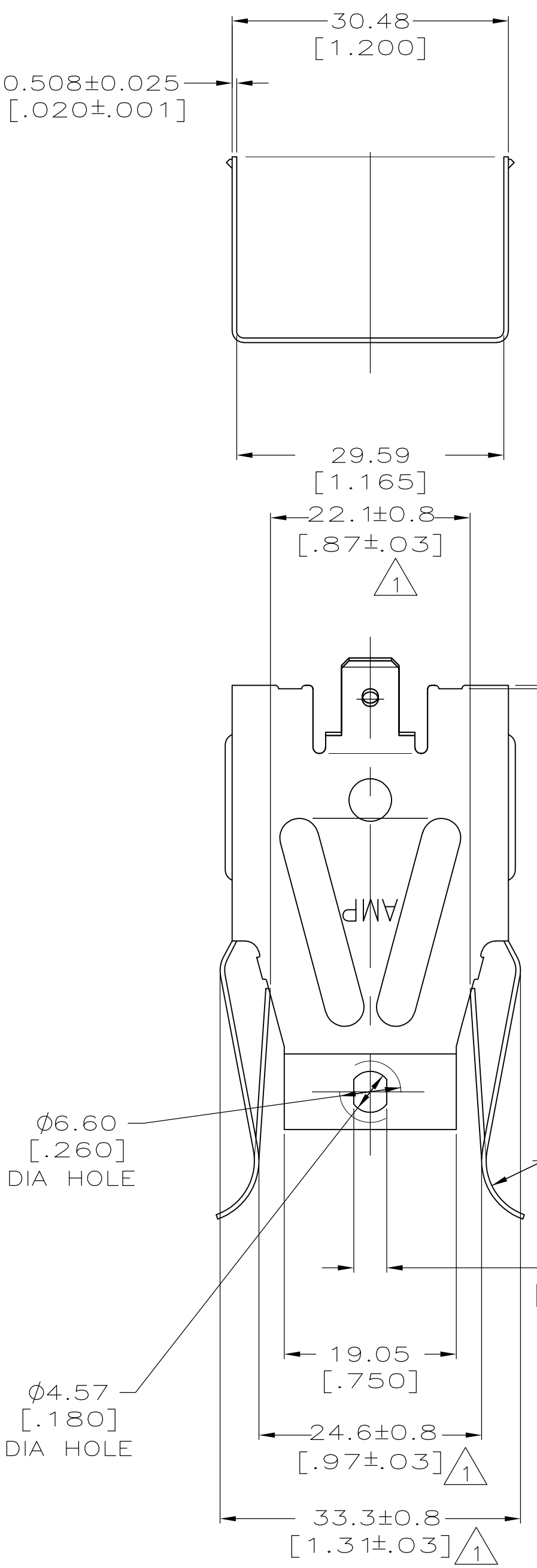
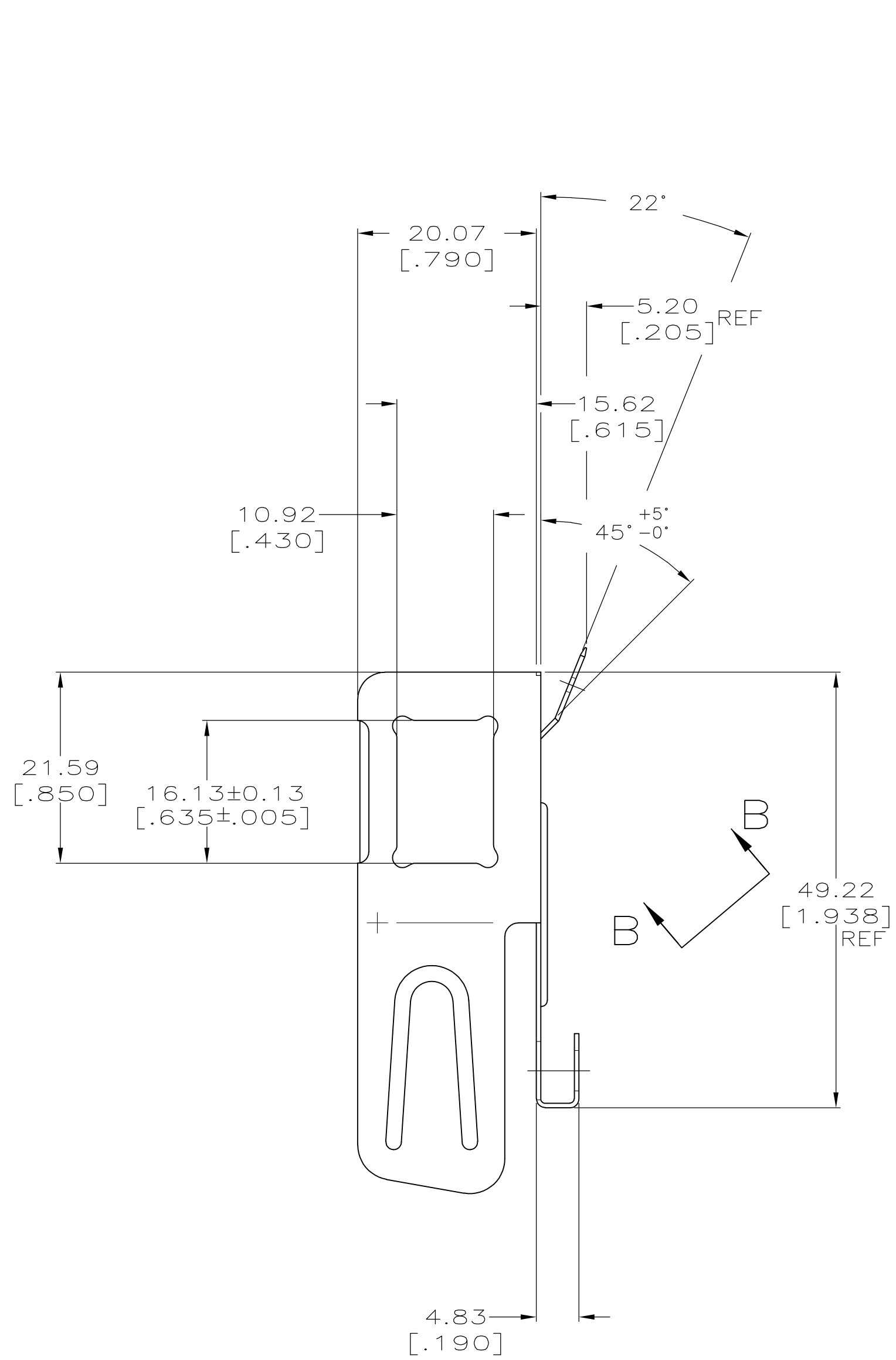
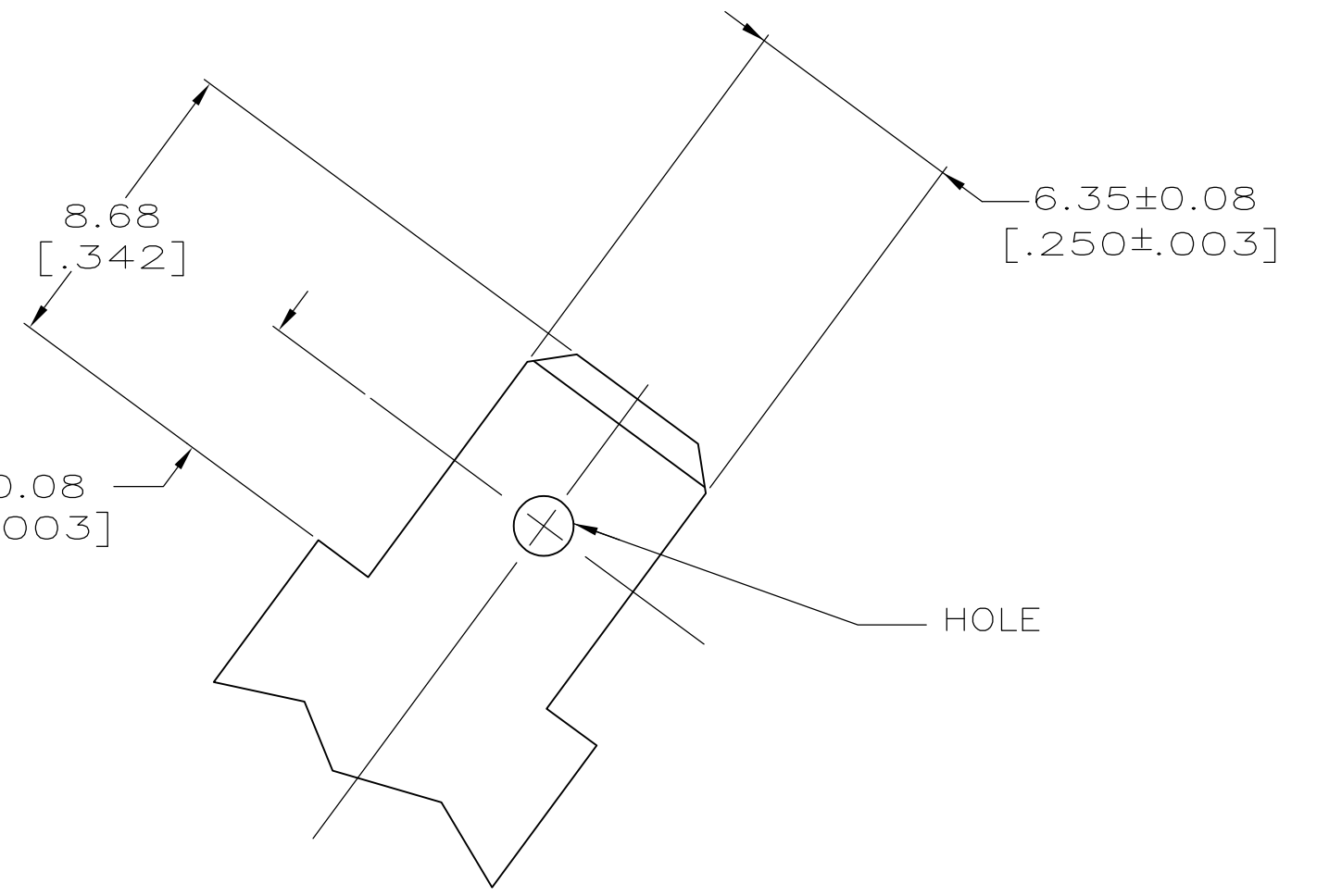


THIS DRAWING IS UNPUBLISHED. RELEASED FOR PUBLICATION  
 © COPYRIGHT BY TYCO ELECTRONICS CORPORATION. ALL RIGHTS RESERVED.

LOC		DIST		REVISIONS			
P	LTR	DESCRIPTION	DATE	DWN	APVD		
	B2	REVISED PER ECR-08-012911	22MAY08	HMR	GJ		



- 1 DIMENSIONS TO BE CHECKED WHEN SIDES ARE PARALLEL WITH 30.61 [1.205] DIMENSION.
- 2 FOR 6.35 [.250] SERIES POSITIVE LOCK RECEPTACLE.
- 3 REDUCED PACKAGE QUANTITY.
- 4 PRELIMINARY - NOT FOR PRODUCTION.



VIEW B-B  
 SCALE 5:1 2

3	4	1217108-2
		1217108-1
PART NUMBER		

THIS DRAWING IS A CONTROLLED DOCUMENT.		DWN 17SEP98 PHILLIP M. FORTNEY	Tyco Electronics Corporation Harrisburg, PA 17105-3608	
DIMENSIONS: mm [INCHES]		CHK 17SEP98 JEFF R. RUTH	NAME	
TOLERANCES UNLESS OTHERWISE SPECIFIED:		APVD 17SEP98 JEREMY DUNCAN	CLIP, HEAVY DUTY BURNER CONNECTOR	
0 PLC ± -		PRODUCT SPEC	SIZE	CAGE CODE
1 PLC ± -		APPLICATION SPEC	A2	00779
2 PLC ± 0.25 [.010]		114-1028	DRAWING NO	RESTRICTED TO
3 PLC ± -		WEIGHT -	C=1217108	-
4 PLC ± -		CUSTOMER DRAWING	SCALE 2:1	SHEET 1 of 1
ANGLES ± -			REV B2	
FINISH -				