



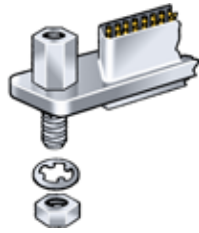
Stainless Steel Jackpost Kits

Standard Hex, Rear Panel or Rear Panel PCB

080-00-00-1XX, 500-069-X-X, 177-504-X-X and 177-505-X-X-X



Rear Panel Mount
Micro-D Jackpost



Micro-D Jackpost Kits feature 300 series stainless steel. Select a style: standard hex posts, rear panel, or rear panel printed circuit board.

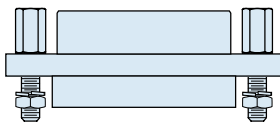
Order One Kit Per Connector. Each kit contains two jackposts.

JACKPOST GENERAL INFORMATION

- Material and Finish:** Corrosion resistant steel in accordance with ASTM A484 and ASTM A582, passivated in accordance with ASTM A967.
- Torque:** #2-56 threads = 2.5 inch-pounds, #4-40 threads = 4.0 inch-pounds. Maximum recommended torque for installation and operation.
- Standard Package:** One kit consists of two jackposts, 2 washers and 2 nuts for styles 1 and 2. Style 3 kits contain two jackposts. One kit per bag.
- Application:** Style 1 and 2 jackposts are compatible with any standard Micro-D connector. Style 3 jackposts for rear panel mounting Glenair printed circuit board connectors types BS, BR, and CBR only.

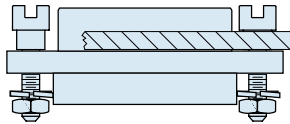
SELECT A JACKPOST STYLE

Style 1



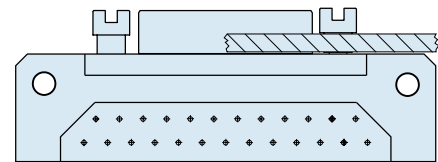
Use With Standard Solder Cup or Pigtail Micro-D Connectors

Style 2



Use With Rear Panel Mounted Solder Cup or Pigtail Micro-D Connectors

Style 3



Use With Rear Panel Mounted Printed Circuit Board Micro-D Connectors

STYLE 1 JACKPOST KITS

Style 1 Jackpost Kits are standard kits for installation on all standard Micro-D connectors. Each kit contains two jackposts, two hex nuts and two lockwashers.

Connector Sizes (THDS)	Mil Spec Part Number	Glenair Part Number	A Length		Figure
			In. ± .015	mm. ± 0.4	
9 — 69 M83513 sizes A thru G (#2-56)	M83513/05-07	080-00-00-100	.475	12.1	Figure 1
		500-069-2-1	.688	17.5	
		500-069-2-2	.813	20.7	
		500-069-2-3	.938	23.8	
		500-069-2-4	1.063	27.0	
	500-069-2-5	1.188	30.2		
100 M83513 size H (#4-40)	M83513/05-17	080-00-00-101	.475	12.1	Figure 2
		500-069-4-1	.680	17.3	
		500-069-4-2	.805	20.4	
		500-069-4-3	.930	23.6	
		500-069-4-4	1.055	26.8	
	500-069-4-5	1.180	30.3		

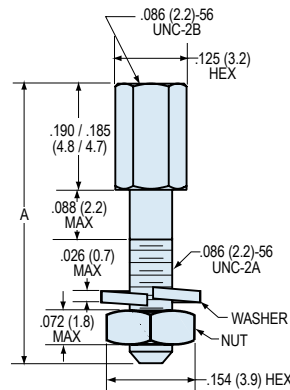


Figure 1
#2-56 Jackpost

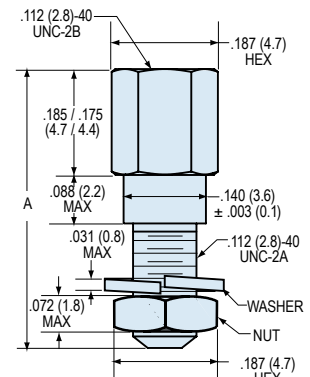


Figure 2
#4-40 Jackpost

Stainless Steel Jackpost Kits

Standard Hex, Rear Panel or Rear Panel PCB

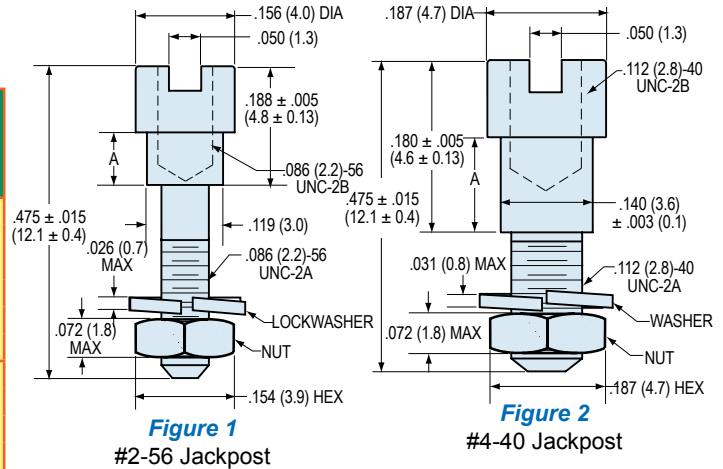
080-00-00-1XX, 500-069-X-X, 177-504-X-X and 177-505-X-X-X



STYLE 2 JACKPOST KITS FOR REAR MOUNTED CONNECTORS

Style 2 Jackpost Kits are for rear panel mounted connectors. These round, slotted posts accommodate panel thickness from .031 inches (0.8 mm.) to .125 inches (3.2 mm.).

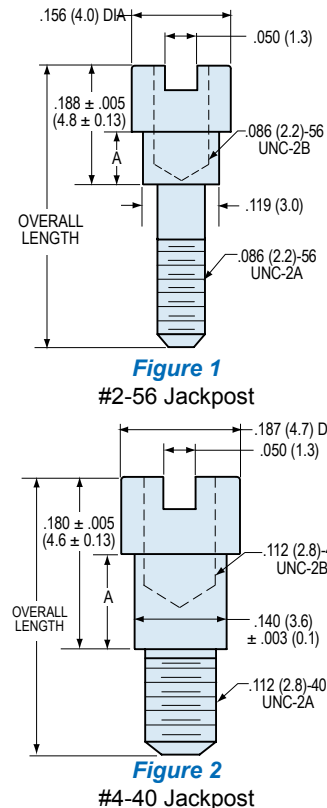
Connector Size (THDS)	Panel Thickness		Part Number	A		Figure
	In.	mm		In. ± .003	mm. ± 0.08	
9 — 69 M83513 sizes A thru G (#2-56)	.031	0.8	177-504-2-2	.024	0.61	Figure 1
	.047	1.2	177-504-2-3	.041	1.04	
	.062	1.6	177-504-2-4	.055	1.40	
	.094	2.4	177-504-2-5	.086	2.18	
	.125	3.2	177-504-2-6	.118	3.00	
100 M83513 size H (#4-40)	.031	0.8	177-504-4-2	.024	0.61	Figure 2
	.047	1.2	177-504-4-3	.041	1.04	
	.062	1.6	177-504-4-4	.055	1.40	
	.094	2.4	177-504-4-5	.086	2.18	
	.125	3.2	177-504-4-6	.118	3.00	



STYLE 3 JACKPOST KITS FOR PRINTED CIRCUIT BOARD CONNECTORS

Style 3 Jackpost Kits are for rear panel mounted PCB connectors. Select the right post by choosing the connector style (BS, BR and CBR are the three standard PCB connector configurations).

Connector Size (THDS)	Connector Style, Overall Length	Panel Thickness		Part Number	A		Figure
		In.	mm.		In. ± .003	mm. ± 0.08	
9 — 69 M83513 sizes A thru G (#2-56)	BS, CBR OAL	.031	0.8	177-505-A-2-2	.024	0.61	Figure 1
		.047	1.2	177-505-A-2-3	.041	1.04	
		.062	1.6	177-505-A-2-4	.055	1.40	
	BR OAL	.094	2.4	177-505-A-2-5	.086	2.18	
		.125	3.2	177-505-A-2-6	.118	3.00	
		.031	0.8	177-505-B-2-2	.024	0.61	
100 M83513 size H (#4-40)	BR, CBR OAL	.047	1.2	177-505-B-2-3	.041	1.04	Figure 2
		.062	1.6	177-505-B-2-4	.055	1.40	
		.094	2.4	177-505-B-2-5	.086	2.18	
	BS OAL	.125	3.2	177-505-B-2-6	.118	3.00	
		.031	0.8	177-505-C-4-2	.024	0.61	
		.047	1.2	177-505-C-4-3	.041	1.04	
.475 (12.1)	OAL	.062	1.6	177-505-C-4-4	.055	1.40	
		.094	2.4	177-505-C-4-5	.086	2.18	
	.360 (9.1)	OAL	.125	3.2	177-505-C-4-6	.118	3.00
			.031	0.8	177-505-D-4-2	.024	0.61
.360 (9.1)	OAL	.047	1.2	177-505-D-4-3	.041	1.04	
		.062	1.6	177-505-D-4-4	.055	1.40	
	.094	OAL	.24	2.4	177-505-D-4-5	.086	2.18
			.32	3.2	177-505-D-4-6	.118	3.00



For CBS Style Circuit Board Connectors—See Catalog Page C-16