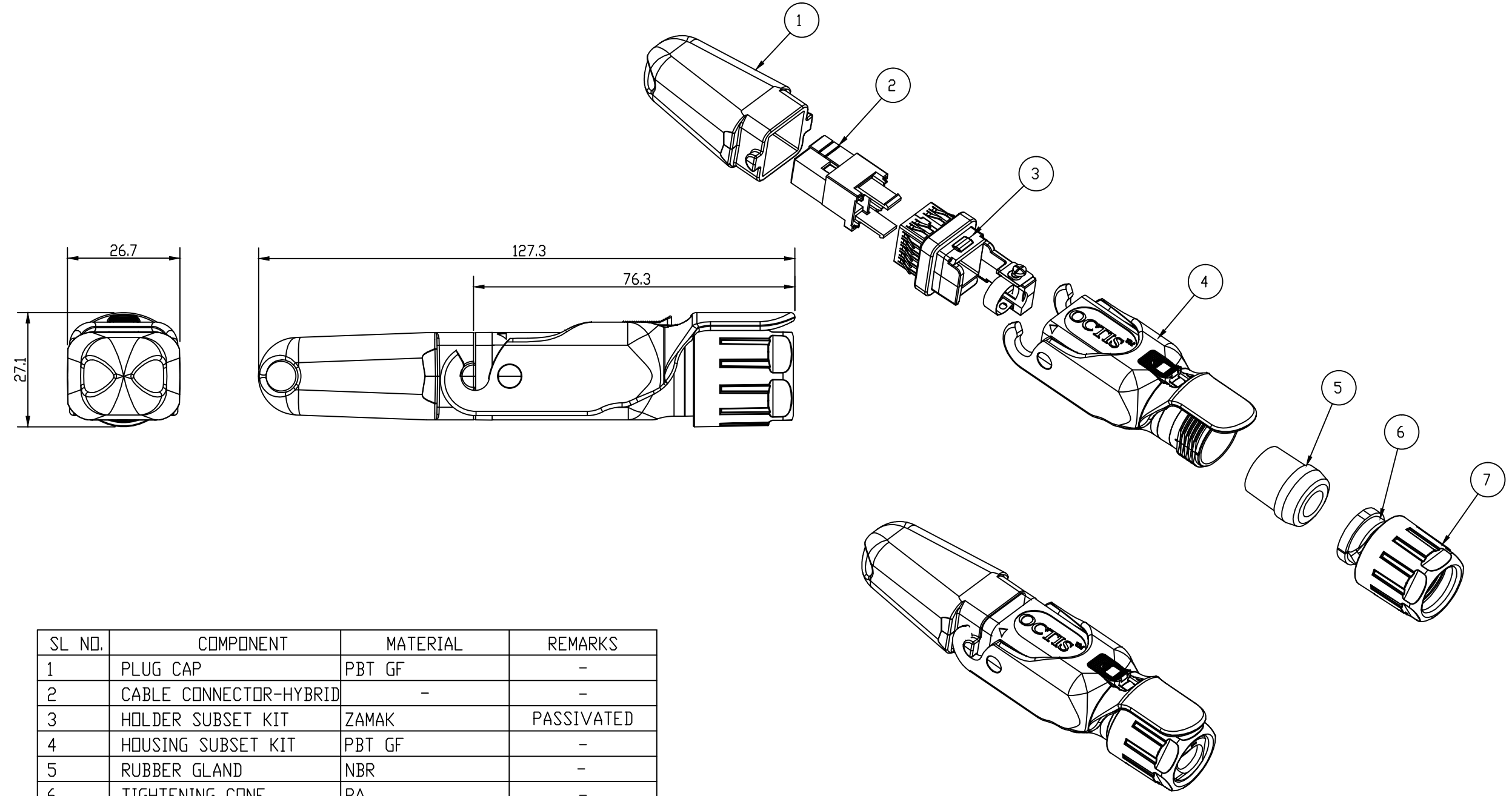


PLUG KIT PART NUMBER
10135748-101LF

OCTIS PLUG KIT, HYBRID, FIELD TERMINABLE, PITCH 26 MM



| SL NO. | COMPONENT | MATERIAL | REMARKS |
|--------|------------------------|----------|---------------|
| 1 | PLUG CAP | PBT GF | - |
| 2 | CABLE CONNECTOR-HYBRID | - | - |
| 3 | HOLDER SUBSET KIT | ZAMAK | PASSIVATED |
| 4 | HOUSING SUBSET KIT | PBT GF | - |
| 5 | RUBBER GLAND | NBR | - |
| 6 | TIGHTENING CONE | PA | - |
| 7 | GLAND NUT | PBT GF | COLOUR PURPLE |

| | | | | | |
|-------------|-------------|------------|------------------|-------------------------------|----------------|
| mat'l. code | | surface 58 | tolerance | projection | product family |
| | | ISO 1302 | ISO 406 ISO 1101 | | OCTIS |
| ltr | ecn no | dr | date | title | |
| A | - | SAL | 2015-09-18 | OCTIS PLUG KIT, HYBRID | |
| B | ELX-I-22293 | SAL | 2015-10-26 | FIELD TERMINABLE, PITCH 26 MM | |
| C | ELX-I-23480 | SAL | 2016-03-05 | scale | 1:1 |
| D | ELX-I-24026 | SAL | 2016-05-04 | dwg no | |
| sheet index | | revision | D | sheet 1 of 1 | |
| 1 | | 1 | | size | |
| | | | | A3 | |
| | | | | type | |
| | | | | Product Customer Drawing | |

Amphenol
FCI

© 2016 AFCI