

# LK series Keylock Switches

Distinctive features and specifications

LK\_U1807US



- Single and double pole options
- Up to four positions
- Momentary and maintained switching
- Multiple key pull position options
- 45° or 90° indexing

## ELECTRICAL SPECIFICATIONS

- Contact rating : 4A at 125 VAC or 28VDC, 2A at 250 VAC
- Contact resistance :  $\leq 10 \text{ m}\Omega$
- Insulation resistance :  $\geq 109 \text{ M}\Omega$
- Dielectric strength : 1000 V RMS minimum at sea level
- Electrical life : 6000 cycles at full load

## GENERAL SPECIFICATIONS

- Mechanical life : 6000 cycles at full load.
- Operating temperature range :  $-30^{\circ}\text{C}$  to  $+85^{\circ}\text{C}$

## MATERIALS

- Lock housing : Zinc alloy die casted, nickel plated
- Cylinder : 4 disc tumbler, zinc alloy die casted, nickel plated
- Keys : 2 single bitted keys, brass nickel plated
- Contacts & terminals : Gold plated copper alloy
- Body : Glass filled polyester

## AGENCY APPROVALS



Dimensions : first dimensions are in mm while inches are shown in brackets.  
Refer to the following pages for further information.



Mounting accessories : Standard hardware supplied : 1 nut.  
For spare keys please contact APEM.



Packaging unit : 25

# LK series

## Keylock Switches

### Overview



Maintained function	No of Poles	Lock Configuration	Indexing	Terminals Connected				Key Pull Position
				Pos. 1	Pos. 2	Pos. 3	Pos. 4	
<b>A</b>	SP		45°	8-1	1-2	2-3	—	1
<b>B (std)</b>	DP		45°	8-1, 4-5	1-2, 5-6	2-3, 6-7	—	1
<b>C</b>	SP		45°	8-1	1-2	2-3	—	3
<b>D (std)</b>	DP		45°	8-1, 4-5	1-2, 5-6	2-3, 6-7	—	3
<b>E</b>	SP		45°	8-1	1-2	2-3	—	1 & 3
<b>F (std)</b>	DP		45°	8-1, 4-5	1-2, 5-6	2-3, 6-7	—	1 & 3
<b>G</b>	SP		45°	8-1	1-2	7-8	—	1
<b>H (std)</b>	DP		45°	8-1, 4-5	1-2, 5-6	7-8, 3-4	—	1
<b>7</b>	SP		45°	8-1	1-2	7-8	—	1, 2 & 3
<b>J (std)</b>	DP		45°	8-1, 4-5	1-2, 5-6	7-8, 3-4	—	1, 2 & 3
<b>N</b>	SP		90°	8-1	1-3	—	—	1
<b>8 (std)</b>	DP		90°	8-1, 4-5	1-3, 5-7	—	—	1
<b>P</b>	SP		90°	8-1	1-3	—	—	2
<b>Q (std)</b>	DP		90°	8-1, 4-5	1-3, 5-7	—	—	2
<b>R</b>	SP		90°	8-1	1-3	—	—	1 & 2
<b>S (std)</b>	DP		90°	8-1, 4-5	1-3, 5-7	—	—	1 & 2
<b>9</b>	DP		45°	8-1	1-2	2-3	3-4	1, 2, 3 & 4

Momentary function	No of Poles	Lock Configuration	Indexing	Terminals Connected				Key Pull Position
				Pos. 1	Pos. 2	Pos. 3	Pos. 4	
<b>A (std)</b>	SP		45°	8-1	1-2	—	—	1
<b>B</b>	DP		45°	8-1, 4-5	1-2, 5-6	—	—	1
<b>E (std)</b>	SP		45°	8-1	1-2	7-8	—	1
<b>F</b>	DP		45°	8-1, 4-5	1-2, 5-6	7-8, 3-4	—	1
<b>G</b>	SP		45°/90°	7-1	1-2	6-7	—	1 & 3
<b>7 (std)</b>	SP		45°	8-1	1-2	7-8	—	1
<b>J</b>	DP		45°	8-1, 4-5	1-2, 5-6	7-8, 3-4	—	1



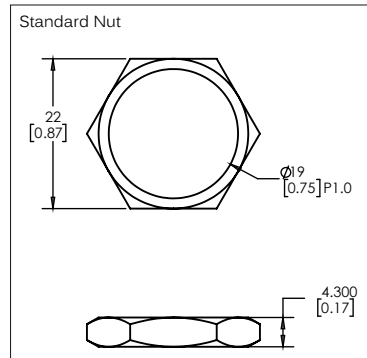
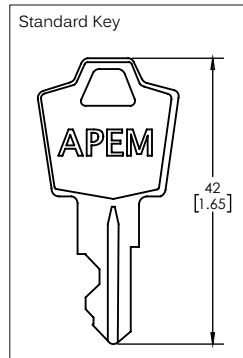
# LK series Keylock Switches

Panel cut-out Ø19 (0.755)

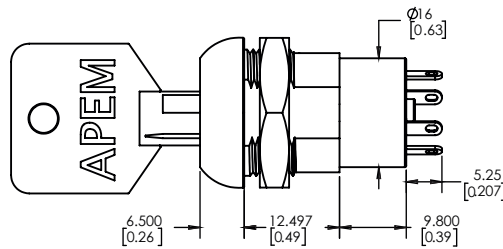
## MODEL STRUCTURE



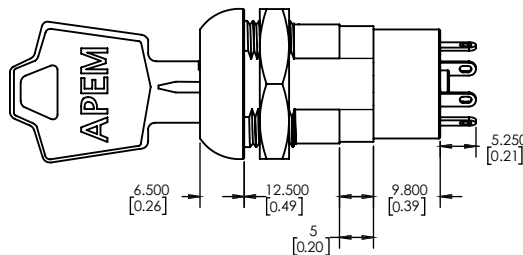
- 2, 3 and 4 position configuration
- Maintained and momentary functions
- Standard and overmoulded key
- Nut or clip fixing



## Maintained



## Momentary



## OPTIONS

Overmoulded Key

