

610/620-Series Miniature Rocker Switches



The miniature 610/620-Series switches are double insulated and available in single or double pole configurations. These snap-in mounted switches are offered with either a paddle or rocker actuator and with ratings up to 8 amps. Applications include: Handheld Appliance, Power Supplies, Audio-Visual, Telecom, and Computers.

Dielectric Strength

UL/CSA:

1000V - live to dead metal parts & opposite polarity

Electrical Life

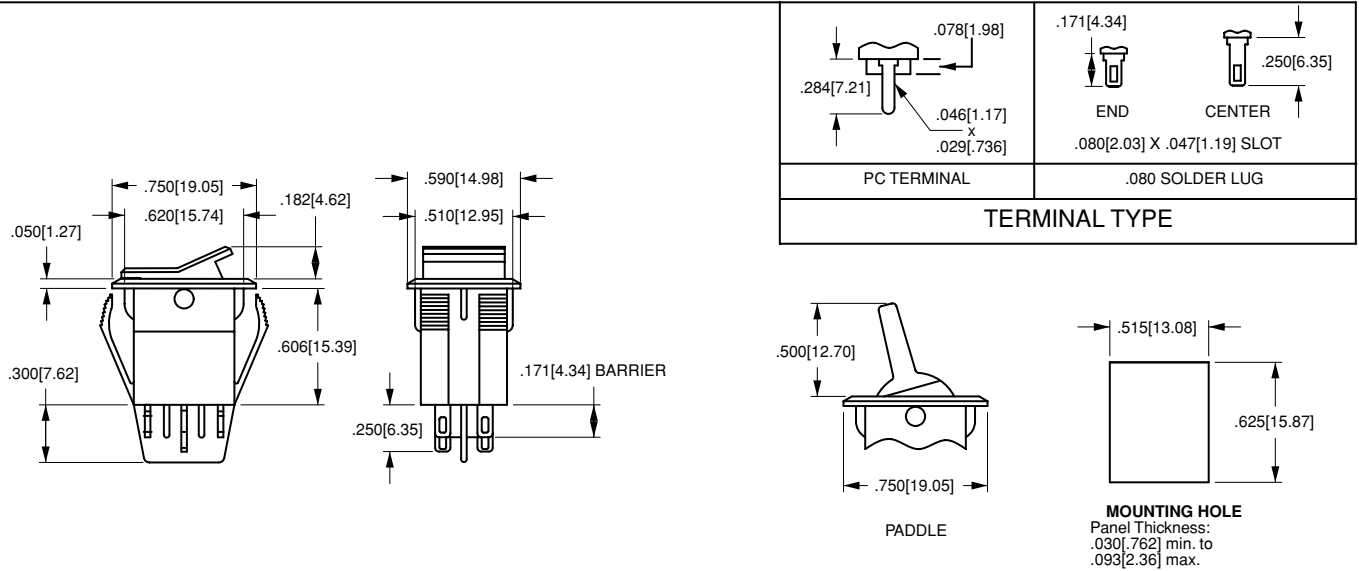
50,000 cycles- single pole
50,000 cycles- double pole

Mechanical Life

100,000 cycles

Operating Temperature

32°F to 185°F (0°C to 85°C)



62012421 - **0** - **0**

¹ Base Part Number

² Terminal Sealing

³ Legend

1 BASE PART NUMBER: SERIES/CIRCUITRY/RATING¹/TERMINATION¹

4A 250VAC; 8A 125VAC

Single Pole

	Solder Lugs	PC Term
ON-NONE-ON	62011421	62011422
ON-NONE-(ON)	62011431	62011432
ON-OFF-ON	62011461	62011462
ON-OFF-(ON)	62011471	62011472
(ON)-OFF-(ON)	62011481	62011482

Double Pole

ON-NONE-ON	62012421	62012422
ON-NONE-(ON)	62012431	62012432
ON-OFF-ON	62012461	62012462
ON-OFF-(ON)	62012471	62012472
(ON)-OFF-(ON)	62012481	62012482

2 TERMINAL SEALING

0	none
E	epoxy sealed terminals

3 LEGEND

	hot stamp
NO LEGEND	0
ON-OFF vertical	A
ON-OFF horizontal	B
I-O horizontal	D
I-O vertical	G

NOTES

1 Base part number specifies black rocker and bezel. To specify paddle actuator, change 2nd digit of part number from 2 to 1 (ex. 61012421) For additional ratings and colors, consult factory.
() indicates momentary function.