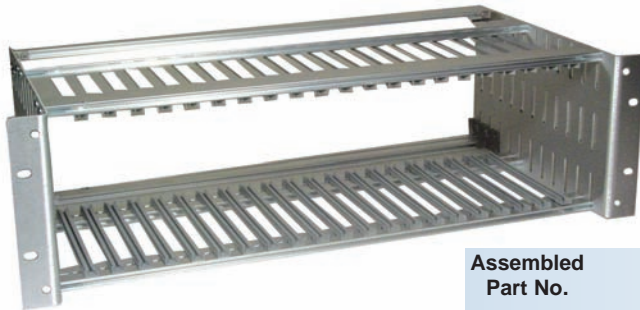
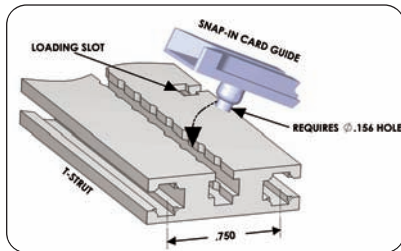


EIA -Based VectorPak™ Subrack Systems



CCA13S/90 - Assembled Subrack with 21 pairs on Snap-in Guides



Snap-in Guide and TS169-6/90 Strut

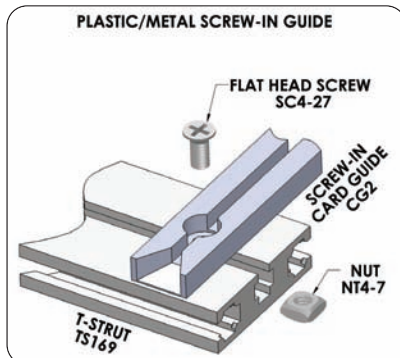
VectorPak™ Card Rack Systems

Card Racks with Snap-In Guides for 0.062" thick PCBs. Guides positions can be adjusted in 0.250" horizontal increments. 0.80" thick brushed aluminum side plates with clear irridite finish. Rear "T"-Struts included for mounting of connectors (Vector P/N HD34).

| Assembled Part No. | Rack Outer Dimensions (H x W x D) | Description | Kit |
|--------------------------------|--|--------------------------------------|--------------|
| 2U Rack CCA10S/90 | Card height min. 0.75" to 2.75" max. X 6.5" L 2U (3.50") X 19.0" X 12.0" | 21 pair snap-in guides installed | CCK10S/90 |
| 3U Rack CCA12S/90 | Card height min. 2.50" to 4.50" max. X 4.5" L 3U (5.25") X 19.0" X 9.0" | 21 pair snap-in guides installed | CCK12S/90 |
| 3U Rack CCA13S/90 | Card height min. 2.50" to 4.50" max. X 6.5" L 3U (5.25") X 19.0" X 9.0" | 21 pair snap-in guides installed | CCK13S/90 |
| 3U Rack CCA13S-H/90 | 3U (5.25") X 10.25" W X 9.0" | 11 pair snap-in guides w/ rack ears | CCK13S-H/90 |
| 3U Rack CCA13S-HT/90 | 3U (5.25") X 10.25" W X 9.0" | 11 pair snap-in guides, no rack ears | CCK13S-HT/90 |
| 3U Rack CCA14S/90 | Card height min 2.50" to 4.50" max. X 9.6" L 3U (5.25") X 19.0" X 12.0" | 21 pair snap-in guides installed | CCK14S/90 |
| 3U Rack CCA14S-H/90 | 3U (5.25") X 10.25" W X 12.0" | 11 pair snap-in guides w/ rack ears | CCK14S-H/90 |
| 4U Rack CCA15S/90 | Card height 4.25" min. to 6.25" max. X 9.6" L 4U (7.00") X 19.0" X 12.0" | 21 pair snap-in guides installed | CCK15S/90 |
| 5U Rack CCA17S/90 | Card height min. 6.00" to 8.00" max. X 9.6" L 5U (8.75") X 19.0" X 12.0" | 21 pair snap-in guides installed | CCK17S/90 |
| 7U Rack CCA100S/90 | Card height min. 9.50" to 11.50" max. X 6.5" L 7U (12.25") X 19.0" X 9.0" | 21 pair snap-in guides installed | CCK100S/90 |



CCA13M/90 with Screw-in guides



VectorPak™ Card Rack Systems

Card Racks with Screw-in Guides for 0.062" thick PCBs. Guides positions can be adjusted horizontally with NO RESTRICTIONS. "P" version is plastic guides; "M" version is metal (Die-cast Zinc or Aluminum). 0.80" thick brushed aluminum side plates with clear irridite finish. Rear "T"-Struts included for mounting of connectors (Vector P/N HD34).

| Assembled Part No. | Rack Outer Dimensions (H x W x D) | Description | Kit |
|--------------------------------|---|---|--------------|
| 2U Rack CCA10P/90 | Card height min. 0.75" to 2.75" max. X 6.5" L 2U (3.50") X 19.0" X 12.0" | 21 pair screw-in Plastic guides installed | CCK10P/90 |
| 2U Rack CCA10M/90 | Same | 21 pair screw-in Die-Cast Zinc guides | CCK10M/90 |
| 3U Rack CCA12P/90 | Card height min. 2.50" to 4.50" max. X 4.5" L 3U (5.25") X 19.0" X 9.0" | 21 pair screw-in Plastic guides installed | CCK12P/90 |
| 3U Rack CCA12M/90 | Same | 21 pair screw-in Die-Cast Zinc guides | CCK12M/90 |
| 3U Rack CCA13P/90 | Card height min. 2.50" to 4.50" max. X 6.5" L 3U (5.25") X 19.0" X 9.0" | 21 pair screw-in Plastic guides installed | CCK13P/90 |
| 3U Rack CCA13P-H/90 | 3U (5.25") X 10.25" W X 9.0" w/flanges | 11 pair screw-in Plastic w / rack ears | CCK13P-H/90 |
| 3U Rack CCA13P-HT/90 | 3U (5.25") X 8.25" W X 9.0" no flanges | 11 pair screw-in Plastic no rack ears | CCK13P-HT/90 |
| 3U Rack CCA13M/90 | 3U (5.25") X 19.0" X 9.0" | 21 pair screw-in Die-Cast Zinc guides | CCK13M/90 |
| 3U Rack CCA13M-H/90 | 3U (5.25") X 10.25" W X 9.0" w/flanges | 11 pair screw-in Die-Cast Zinc guides | CCK13M-H/90 |
| 3U Rack CCA13M-HT/90 | 3U (5.25") X 8.25" W X 9.0" no flanges | 11 pair screw-in Die-Cast Zinc guides | CCK13M-HT/90 |
| 3U Rack CCA14P/90 | Card height min 2.50" to 4.50" max. X 9.6" L 3U (5.25") X 19.0" X 12.0" | 21 pair screw-in Plastic guides installed | CCK14P/90 |
| 3U Rack CCA14M-H/90 | 3U (5.25") X 10.25" W X 12.0" w/flanges | 21 pair screw-in Aluminum guides | CCK14M-H/90 |
| 3U Rack CCA16P/90 | Card height min 2.50" to 4.50" max. X 13.5" L 3U (5.25") X 19.0" X 15.75" | 21 pair screw-in Plastic guides installed | CCK16P/90 |
| 4U Rack CCA15P/90 | Card height 4.25" min. to 6.25" max. X 9.6" L 4U (7.00") X 19.0" X 12.0" | 21 pair screw-in Plastic guides installed | CCK15P/90 |
| 4U Rack CCA15M/90 | Same | 21 pair screw-in Aluminum guides | CCK15M/90 |
| 4U Rack CCA20P/90 | Card height min. 4.25" to 6.25" max. X 13.5" L 4U (7.00") X 19.0" X 15.75" | 21 pair screw-in Plastic guides installed | CCK20P/90 |
| 4U Rack CCA20M/90 | Same | 21 pair screw-in Aluminum guides | CCK20M/90 |
| 5U Rack CCA17P/90 | Card height min. 6.00" to 8.00" max. X 9.6" L 5U (8.75") X 19.0" X 12.0" | 21 pair screw-in Plastic guides installed | CCK17P/90 |
| 5U Rack CCA17M/90 | Same | 21 pair screw-in Aluminum guides | CCK17M/90 |
| 6U Rack CCA18P/90 | Card height min. 7.75" to 9.750" max. X 13.5" L 6U (10.50") X 19.0" X 15.75" | 21 pair screw-in Plastic guides installed | CCK18P/90 |
| 6U Rack CCA18M/90 | Same | 21 pair screw-in Aluminum guides | CCK18M/90 |
| 7U Rack CCA19P/90 | Card height min. 9.50" to 11.50" max. X 13.5" L 7U (12.25") X 19.0" X 15.75" | 21 pair screw-in Plastic guides installed | CCK19P/90 |
| 7U Rack CCA19M/90 | Same | 21 pair screw-in Aluminum guides | CCK19M/90 |

EIA Subracks

