

General Specifications

Motor Structure: Shaded Pole Induction Motor

Motor Protection: Impedance Protection

Insulation Resistance:

10M Ω or over with a DC500V Megger

Dielectric Withstand Voltage: AC 700V 1s

Allowable Ambient Temperature Range:

-10°C ~ +70°C (Operating)

-40°C ~ +70°C (Storage)

(non-condensing environment)

Expected Life

Failure Rate: 10%

25°C 50,000 Hours

Material

Casing : Aluminum

Impeller : UL94V-O Reinforced Plastic

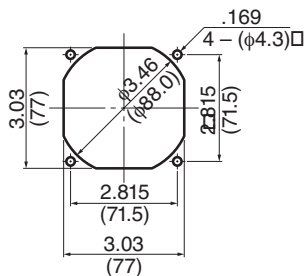
Bearing : Ball Bearing

Lead Wire : AWG22, UL3266

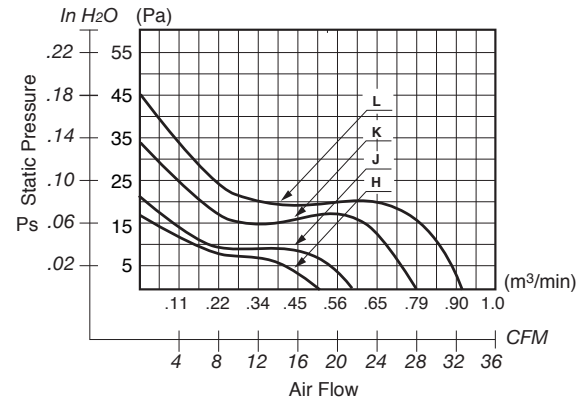
or Terminal : Faston #110 or equivalent

Panel Cut-Outs

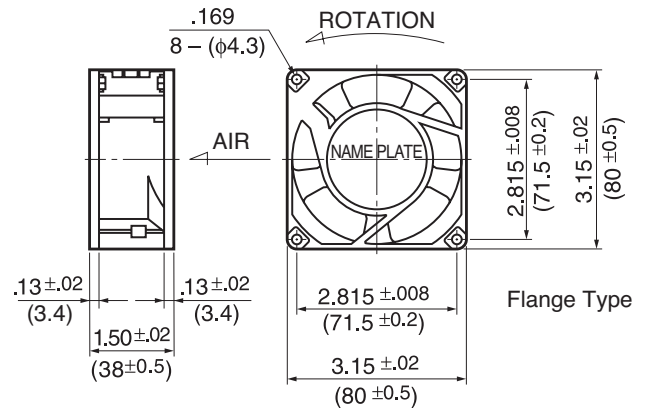
Units: $\frac{\text{inch}}{\text{mm}}$



INLET SIDE / OUTLET SIDE



Outline



Specifications

| MODEL | LEGACY P/N | Rated Voltage | Frequency | Starting Voltage | Current | Input Power | Speed | Max. Air Flow | | Max. Static Pressure | | Noise | Mass |
|-------------------|--------------------|---------------|-----------|------------------|------------------|-------------|-----------------------------------|------------------|------------------------------------|----------------------|-------------------|-------|------|
| | | (V) | (Hz) | (V) | (A) ¹ | (W) | (min ⁻¹) ² | CFM ¹ | (m ³ /min) ² | in H ₂ O | (Pa) ² | | |
| 08038FB-A1H-EA-00 | 3115FS-12T-B00-A00 | 115 | 60 | 75 | 0.045 | 4.0 | 1850 | 18.0 | 0.51 | .07 | 17.5 | 31 | 340 |
| 08038FB-A1J-EA-00 | 3115FS-12T-B10-A00 | 115 | 60 | 75 | 0.087 | 6.5 | 2100 | 22.0 | 0.62 | .09 | 22.5 | 36 | 340 |
| 08038FB-A1K-EA-00 | 3115FS-12T-B20-A00 | 115 | 60 | 75 | 0.090 | 7.5 | 2700 | 27.0 | 0.76 | .13 | 32.5 | 40 | 340 |
| 08038FB-A1L-EA-00 | 3115FS-12T-B30-A00 | 115 | 60 | 75 | 0.100 | 8.5 | 3250 | 32.0 | 0.90 | .18 | 45.0 | 44 | 340 |
| 08038FB-B3J-EA-00 | 3115FS-23T-B10-A00 | 230 | 60 | 175 | 0.050 | 6.5 | 2050 | 20.0 | 0.57 | .09 | 22.5 | 35 | 340 |
| 08038FB-B3K-EA-00 | 3115FS-23T-B20-A00 | 230 | 60 | 175 | 0.060 | 7.5 | 2750 | 28.0 | 0.79 | .13 | 32.5 | 40 | 340 |
| 08038FB-B3L-EA-00 | 3115FS-23T-B30-A00 | 230 | 60 | 175 | 0.065 | 8.0 | 3250 | 33.0 | 0.93 | .18 | 45.0 | 44 | 340 |

Rotation: Counterclockwise

Airflow Outlet: Air In Over Struts

*1: Maximum Values in Free Air

*2: Average Values in Free Air

*3: Minimum Values in Free Air