

RAFIX 16 F - Selector switch, illuminated, latching

1.30.093.601/2000



General information

Actuator	handle
Color of handle marking	translucent white
Form of collar	square
Color of collar	black

Dimensions

Collar dimensions	24.9 x 24.9 mm
Overall height	12.1 mm
Mounting depth with contact block	50 mm
Key grid	30 x 30 mm
Mounting hole	23.1 x 23.1 mm

Mechanical design

Mounting	ring nut
Contact function	latching
Illumination	yes
Rotating angle	1 x 90°, form V

Mechanical characteristics

Torque max.	1.3 Nm
-------------	--------

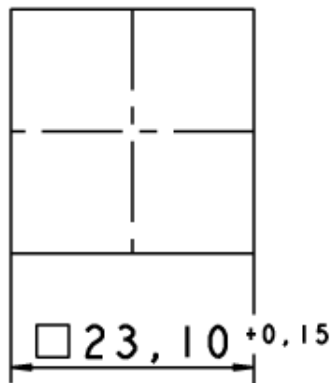
Electrical characteristics

Protection class	-
------------------	---

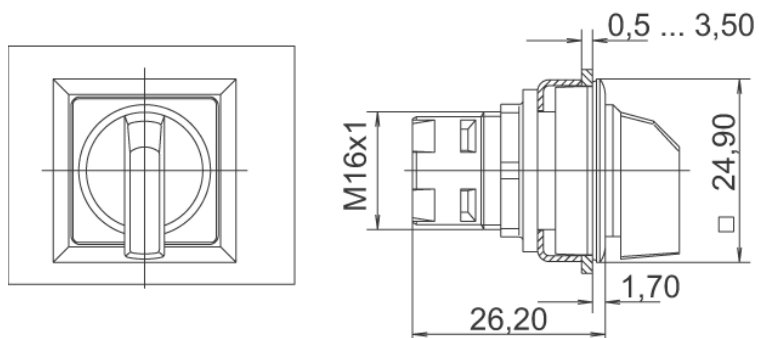
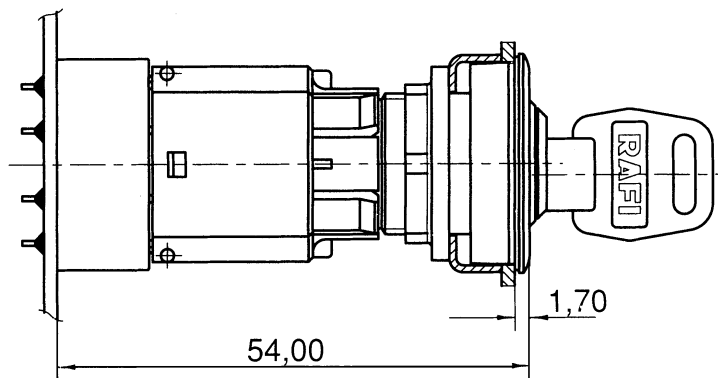
Other specifications

Operating life (operations)	30.000 cycle
Degree of protection from front side	IP65 (DIN EN 60529)
Operation temperature min.	-25 °C
Ambient temp. operating max. without lamp / LED	+70 °C
Ambient temp. operating max. with lamp /LED	+55 °C
Storage temperature min.	-40 °C
Storage temperature max.	+85 °C
Environmental resistance	acc. to IEC 60068-2-14, -30, -33 and -78
ROHS compliant	yes
REACH compliant	yes

Panel cut-out



with PCB plug-in socket



operating element and contact block

