

RP185 Series

High Performance IEC Inlet Single Stage Power Line Filter

RP185 IEC INLET TO 15A

ROHS COMPLIANT



SPECIFICATIONS

Operating Freq.	: 50/60Hz
Max. Operating Voltage	: 250V +10%
Ambient Temperature	: -25 to 40C
Climatic Category	: 25/100/21
Hipot Rating (L-G)	: 2121VDC
Plastic Mtg Force	: 18 LBS
Terminals (-T)	: QD: 0.25 Tabs
Safety Approvals	: CSA, UR, EN60939
Typ. Weight, LBS (KG)	: 0.2 (0.1)

LEAKAGE CURRENT

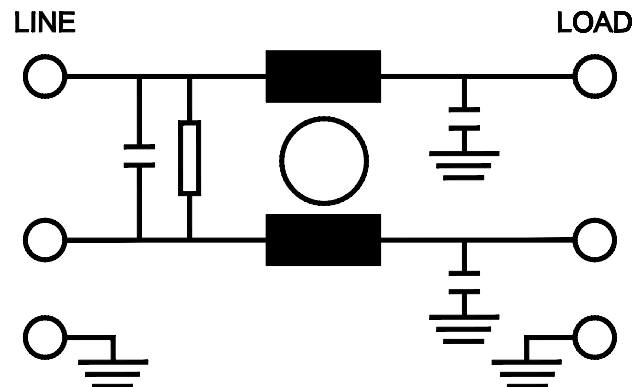
Y-cap, nF	mA, 120V/60Hz	mA, 250V/60Hz
0	0	0
.47	0.04	0.08
1	0.09	0.18
2.2	0.2	0.4
4.7	0.4	0.8

PART NUMBER/ ORDERING

RP185	-X (Amps)	-Y (Ycap, nF)	-T
	1	0	QD
	3	.47	
	6	1	
	10	2.2	
	15	4.7	

Note: Use any combination of -Y with any -X (Amps) rating
e.g. RP185-15-.47-QD (15Amps with .47nF Ycap)

SCHEMATIC



RP185

Typical Insertion Loss, dB (50/50ohm) Mechanical Dimensions

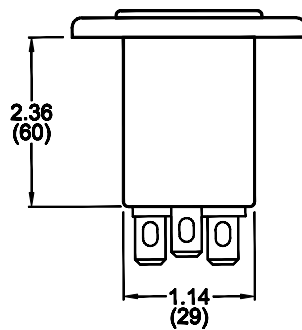
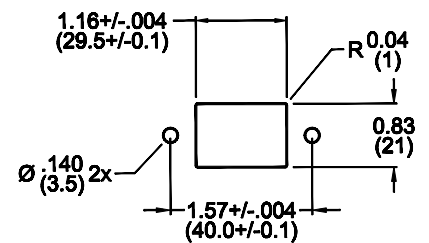
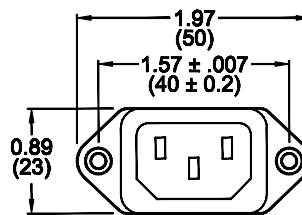
1 Amp					
FREQ (MHz)	.15	.5	1.0	10	30
CM(dB)	46	55	55	55	50
DM(dB)	22	38	60	60	50

3 Amp					
FREQ (MHz)	.15	.5	1.0	10	30
CM(dB)	36	50	55	55	50
DM(dB)	22	35	50	60	60

6 Amp					
FREQ (MHz)	.15	.5	1.0	10	30
CM(dB)	22	35	42	55	60
DM(dB)	20	32	40	50	55

10 Amp					
FREQ (MHz)	.15	.5	1.0	10	30
CM(dB)	20	32	28	55	55
DM(dB)	20	32	40	58	60

15 Amp					
FREQ (MHz)	.15	.5	1.0	10	30
CM(dB)	14	22	30	50	58
DM(dB)	15	32	40	54	70



TYPICAL TOLERANCE: +/-0.02 (0.50)

Reference purposes only.
Specifications are subject to change.
Consult factory to verify specifications.