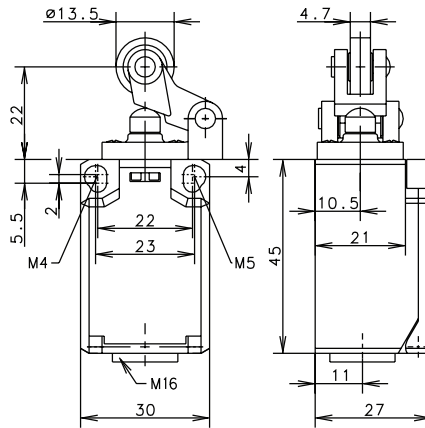


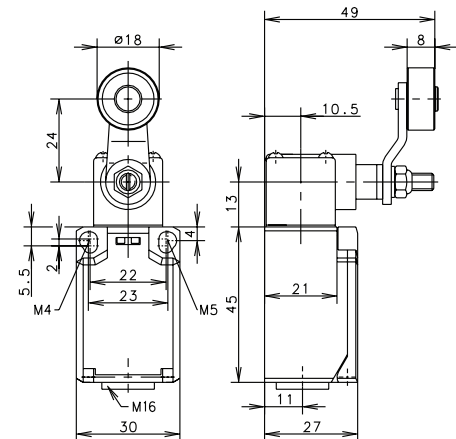
**Ti2 Series**



**HW (Form E)**



**AH (Form A)**



Switching Operation	HW (Form E)		AH (Form A)	
	Slow Action	Snap Action	Slow Action	Snap Action
<b>1 NC / 1 NO Contacts</b>	<b>608.8121.015</b> TI2-U1Z HW 	<b>608.8171.016</b> TI2-SU1Z HW 	<b>608.8135.021</b> TI2-U1Z AH 	<b>608.8185.022</b> TI2-SU1Z AH 
<b>2 NC Contacts</b>	<b>608.8821.017</b> TI2-A2Z HW 	<b>608.8871.018</b> TI2-SA2Z HW 	<b>608.8835.023</b> TI2-A2Z AH 	<b>608.8885.024</b> TI2-SA2Z AH 
<b>2 NO Contacts</b>	-	<b>608.8871.020</b> TI2-SE2 HW 	-	-
<b>1 NC / 1 NO Contacts Overlapping</b>	-	-	-	-
<b>Replacement actuator:</b>	<b>391.8191.547</b>		<b>391.8351.166</b>	

Technical Information	HW (Form E)		AH (Form A)	
	Slow Action	Snap Action	Slow Action	Snap Action
Maximum Switching Voltage	240V	240V	240V	240V
Maximum Switching Amperage	10A	10A	10A	10A
B10d	6 Million	6 Million	6 Million	6 Million
Mechanical Service Life	3 x 10 <sup>6</sup>	3 x 10 <sup>6</sup>	3 x 10 <sup>6</sup>	3 x 10 <sup>6</sup>
Switching Frequency	≤ 100/min	≤ 100/min	≤ 100/min	≤ 100/min
Operating Temperature	-30 °C to +80 °C	-30 °C to +80 °C	-30 °C to +80 °C	-30 °C to +80 °C
Protection Rating	IP65	IP65	IP65	IP65
Utilization Category	AC-15, Ue/Ue 240V 3A	AC-15, Ue/Ue 240V 3A	AC-15, Ue/Ue 240V 3A	AC-15, Ue/Ue 240V 3A
Rate Insulation Voltage	240VAC	240VAC	240VAC	240VAC
Approvals				

- Special features/variants** (on request)
- Available with different actuating directions
  - With steel roller
  - Various roller diameters
  - Available with different actuating directions
  - Various roller diameters
  - Various roller diameters
  - Offset or straight lever
  - Various lever lengths
  - With roller over switch

Drawing dimensions in mm