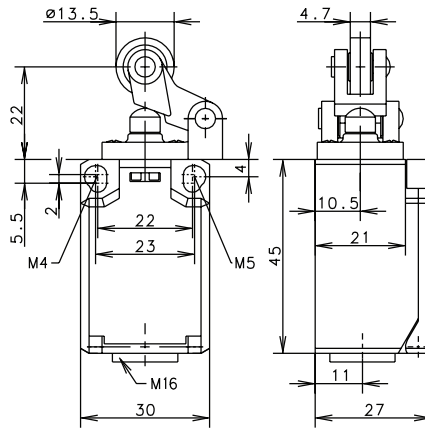


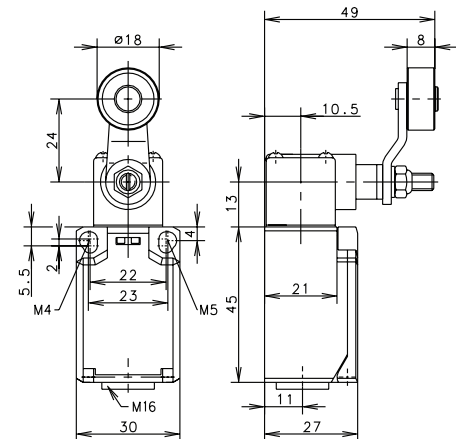
Ti2 Series



HW (Form E)



AH (Form A)



Switching Operation	HW (Form E)		AH (Form A)	
	Slow Action	Snap Action	Slow Action	Snap Action
1 NC / 1 NO Contacts	608.8121.015 TI2-U1Z HW 	608.8171.016 TI2-SU1Z HW 	608.8135.021 TI2-U1Z AH 	608.8185.022 TI2-SU1Z AH
2 NC Contacts	608.8821.017 TI2-A2Z HW 	608.8871.018 TI2-SA2Z HW 	608.8835.023 TI2-A2Z AH 	608.8885.024 TI2-SA2Z AH
2 NO Contacts	-	608.8871.020 TI2-SE2 HW 	-	-
1 NC / 1 NO Contacts Overlapping	-	-	-	-
Replacement actuator:	391.8191.547		391.8351.166	

Technical Information	HW (Form E)		AH (Form A)	
	Slow Action	Snap Action	Slow Action	Snap Action
Maximum Switching Voltage	240V	240V	240V	240V
Maximum Switching Amperage	10A	10A	10A	10A
B10d	6 Million	6 Million	6 Million	6 Million
Mechanical Service Life	3 x 10 ⁶	3 x 10 ⁶	3 x 10 ⁶	3 x 10 ⁶
Switching Frequency	≤ 100/min	≤ 100/min	≤ 100/min	≤ 100/min
Operating Temperature	-30 °C to +80 °C	-30 °C to +80 °C	-30 °C to +80 °C	-30 °C to +80 °C
Protection Rating	IP65	IP65	IP65	IP65
Utilization Category	AC-15, Ue/Ue 240V 3A	AC-15, Ue/Ue 240V 3A	AC-15, Ue/Ue 240V 3A	AC-15, Ue/Ue 240V 3A
Rate Insulation Voltage	240VAC	240VAC	240VAC	240VAC
Approvals				

Special features/variants
(on request)

- Available with different actuating directions
- With steel roller
- Various roller diameters

Special features/variants
(on request)

- Available with different actuating directions
- With steel roller
- Various roller diameters
- Offset or straight lever
- Various lever lengths
- With roller over switch

Drawing dimensions in mm