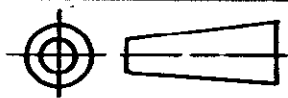


DO NOT SCALE

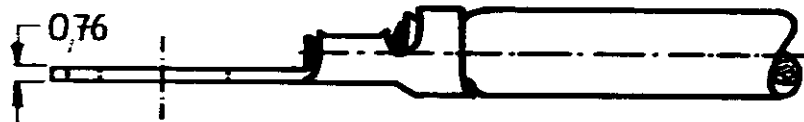
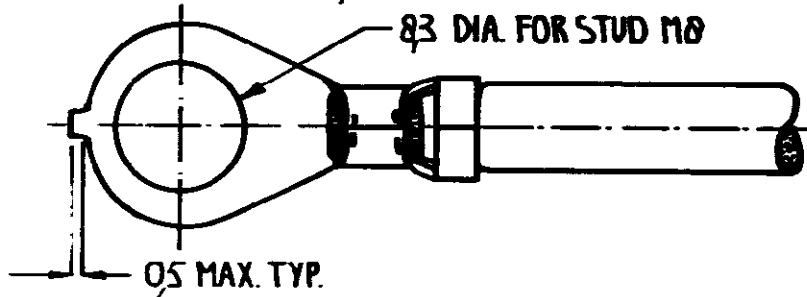
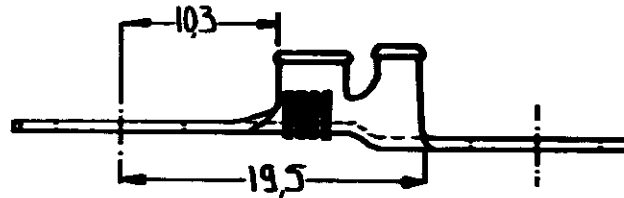
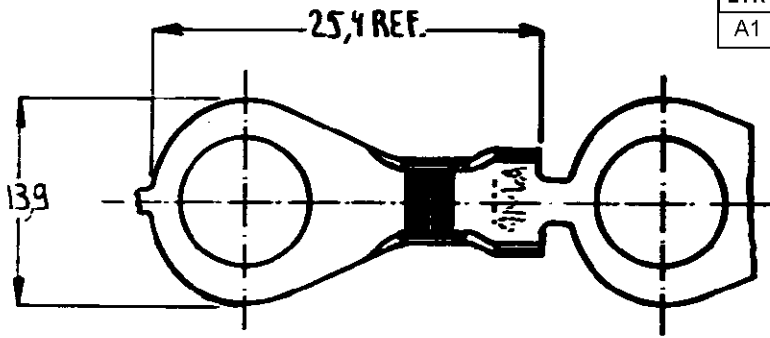
DIMENSIONS IN mm

METRIC

THIRD ANGLE PROJECTION



LTR	REVISION RECORD	DWN	CHK	DATE
A1	ECO-09-025273	KK	AEG	13NOV09



NOTES: 1 FOR USE ON STANDARD AND MINIATURE APPLICATORS

2 REELED WITH PAPER COVER

3 OBSOLETE PARTS: OBSOLETE CIS STREAMLINING PER D.RENAUD/D.SINISI

	1	TIN PLATED	PHOSPHOR BRONZE	160411-6
	1 2	UNPLATED	PHOSPHOR BRONZE	160411-5
OBSOLETE	1 2	UNPLATED	BRASS	<del>160411-4</del>
	1	UNPLATED	PHOSPHOR BRONZE	<del>160411-3</del>
	1	TIN PLATED	BRASS	160411-2
OBSOLETE	1	UNPLATED	BRASS	<del>160411-1</del>

NOTES	FINISH	MATERIAL	PART NUMBER
-------	--------	----------	-------------

CUSTOMER DRAWING

AMP

AMP-HOLLAND B.V.  
's-Hertogenbosch, The Netherlands

FOR REFERENCE ONLY  
WILL NOT BE UPDATED

THIS DRAWING IS UNPUBLISHED | RELEASED FOR PUBLICATION .19

© COPYRIGHT 19 BY AMP-HOLLAND B.V.  
ALL INTERNATIONAL RIGHTS RESERVED.  
AMP PRODUCTS MAY BE COVERED BY U.S. AND FOREIGN PATENTS AND/OR PATENTS PENDING.

	WIRE RANGE 40-60 mm <sup>2</sup>	NAME RING TONGUE WITH INSULATION SUPPORT	REV. DATE D M Y	
	INSUL RANGE 38-53 DIA		7	10
	SIZE A4	SHEET 1 of 1	DRAWING NO C-160411	
				REV. LTR. A1