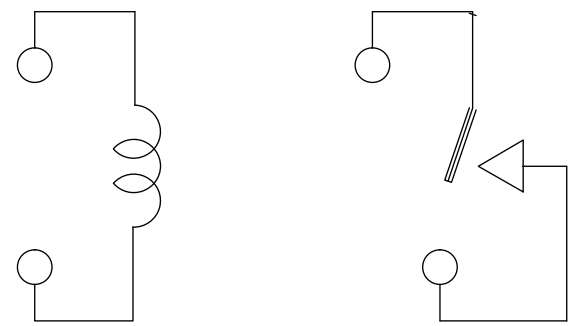
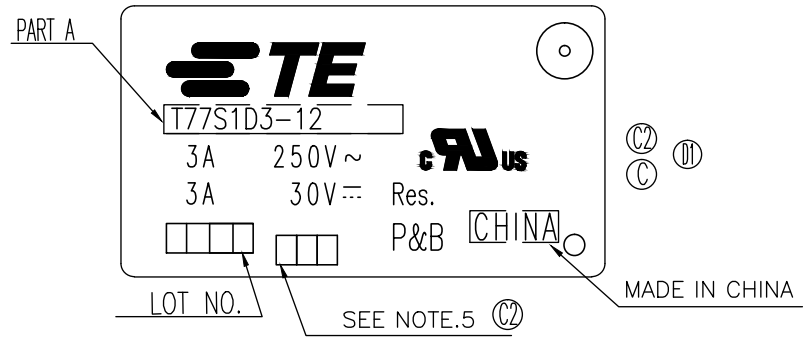


THIS DRAWING IS UNPUBLISHED. RELEASED FOR PUBLICATION
 © COPYRIGHT - By - TE CONNECTIVITY ALL RIGHTS RESERVED.

| LOC | DIST | REVISIONS | | | |
|-----|------|-------------|---|-----------|---------|
| P | LTR | DESCRIPTION | DATE | DWN | APVD |
| HB | - | E | REMOVED THE RIB ON THE BASE TO CASE ECO-15-011310 | 120ct2015 | HYS CSM |



CONNECTION FIGURE

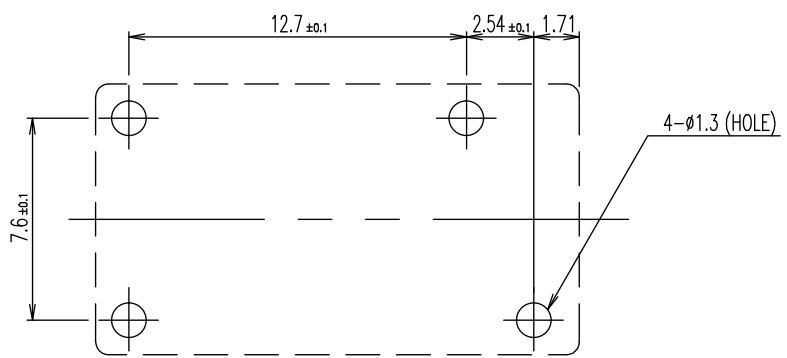
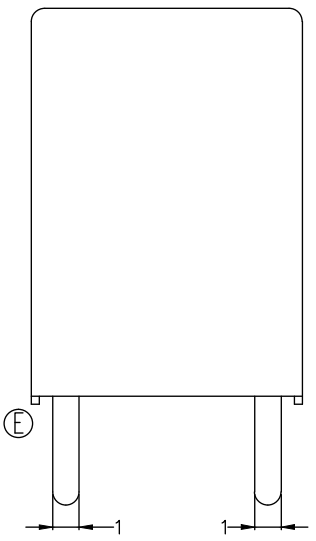
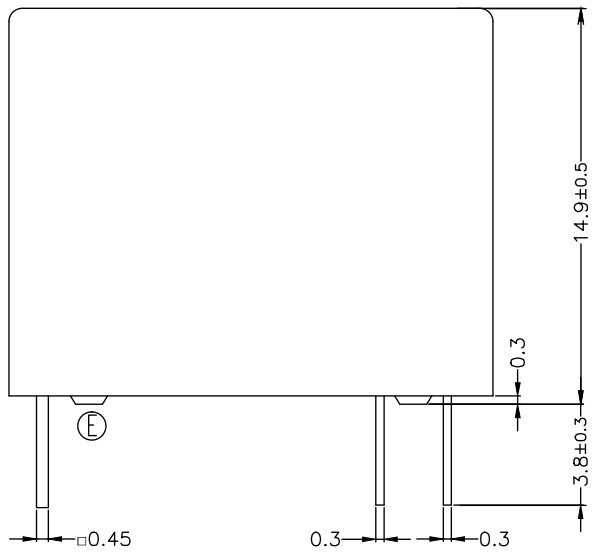
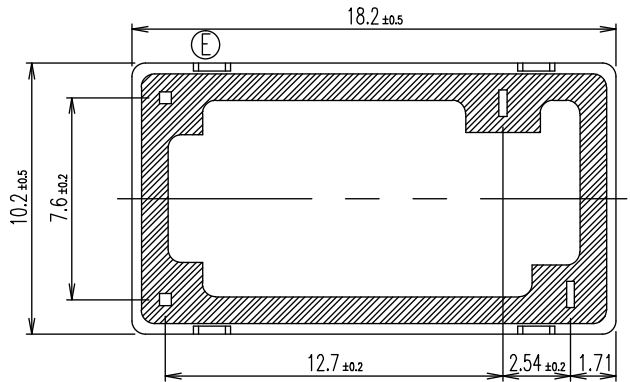


FIGURE FOR PRINTED CIRCUIT BOARD PROCESSING (BOTTOM VIEW)



| | | | | | |
|---|--|------------------|----------------|-----------------------------|-------------|
| THIS DRAWING IS A CONTROLLED DOCUMENT. | | DWN | Huang, Yunshou | TE Connectivity | |
| DIMENSIONS: mm | | CHK | Yu, Banghua | NAME | |
| TOLERANCES UNLESS OTHERWISE SPECIFIED: | | APVD | Zhang, Sunny | T77*1D3-** CUSTOMER DRAWING | |
| 0 PLC ± - 1 PLC ± - 2 PLC ± - 3 PLC ± - 4 PLC ± - ANGLES ± - FINISH | | PRODUCT SPEC | - | RESTRICTED TO | |
| MATERIAL | | APPLICATION SPEC | - | SIZE | A3 |
| | | WEIGHT | - | CAGE CODE | 00779 |
| | | CUSTOMER DRAWING | | DRAWING NO | 2-1393194-5 |
| | | SCALE | 5:1 | SHEET | 1 OF 2 |
| | | REV | E | | |

THIS DRAWING IS UNPUBLISHED. RELEASED FOR PUBLICATION - , - .
 © COPYRIGHT - By - TE CONNECTIVITY ALL RIGHTS RESERVED.

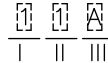
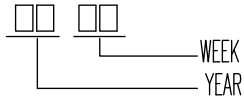
| | | | | | | | |
|-----|------|-----------|-----|-------------|------|-----|------|
| LOC | DIST | REVISIONS | | | | | |
| HB | - | P | LTR | DESCRIPTION | DATE | DWN | APVD |
| | | - | | SEE SHEET 1 | - | - | - |

| | | | |
|-------------|---------------|---------------|------|
| 2-1393194-8 | T77V1D3-24-01 | T77V1D3-24-01 | p |
| 2-1393194-7 | T77V1D3-24 | T77V1D3-24 | o |
| 1-1440005-9 | T77V1D3-18 | T77V1D3-18 | n |
| 2-1393194-6 | T77V1D3-12 | T77V1D3-12 | m |
| 1-1440005-7 | T77V1D3-09 | T77V1D3-09 | l |
| 1-1440005-6 | T77V1D3-06 | T77V1D3-06 | k |
| 2-1393194-5 | T77V1D3-05 | T77V1D3-05 | j |
| 2-1393194-4 | T77V1D3-03 | T77V1D3-03 | i |
| 1-1393194-6 | T77S1D3-24 | T77S1D3-24 | h |
| 1-1440005-2 | T77S1D3-18 | T77S1D3-18 | g |
| 1-1393194-5 | T7S1D3-12 | T7S1D3-12 | f |
| 1440005-8 | T77S1D3-06 | T77S1D3-06 | e |
| 1-1440005-0 | T77S1D3-09 | T77S1D3-09 | d |
| 1-1393194-4 | T77S1D3-06-01 | T77S1D3-06-01 | c |
| 1-1393194-3 | T77S1D3-05 | T77S1D3-05 | b |
| 1-1393194-2 | T77S1D3-03 | T77S1D3-03 | a |
| PART NO | DESCRIPTION | PART A | TYPE |

RELAY TYPE

NOTE

1.LOT NO SYSTEM AS FOLLOWING: ① 5.ADD LOT NO. SYSTEM AS FOLLOWING;



I, DIGITS FOR DAY OF THE WEEK
 1...MONDAY IN THIS WEEK;
 2...TUESDAY IN THIS WEEK;

 7...SUNDAY IN THIS WEEK

II, DIGITS FOR SHIFT OF THE DAY
 1...DAY SHIFT IN THIS DAY;
 2...NIGHT SHIFT IN THIS DAY;

III, ONE CHARACTER DISTINGUISH THE LINE IDENTITY, SUCH AS: A,B.....Z

② 2.TERMINAL DIMENSION IS BEFORE SOLDER DIP;

③ 3.FOR THE TIN-PLATING OF THE PINS:
 +0.1mm FOR WIDTH,THICKNESS AND DIAMETER.
 +0.5mm FOR LENGTH.

④ 4.MARKING FROM INK TO LASER.

| | | | | |
|------------------|------------|-------------|----------------------|------|
| | | EPOXY RESIN | SEAL (BASE & BOBBIN) | 15 |
| | | MM79 | MAGNETIC WIRE | 14 |
| 94V-0 | | P.B.T | CASE | 13 |
| 94V-0 | | P.B.T | BASE | 12 |
| 94VHB | | NYRON | BOBBIN | 11 |
| | SOLDER DIP | C.P WIRE | COIL TERMINAL | 10 |
| 94V-0 | | P.P.S | CARD | 9 |
| | | Ag ALLOY | MOVABLE CONTACT | 8 |
| | | Ag ALLOY | NO.CONTACT | 7 |
| | | STEEL | HINGE SPRING | 6 |
| | SOLDER DIP | CU ALLOY | NO.TERMINAL | 5 |
| | SOLDER DIP | CU ALLOY | MOVABLE SPRING | 4 |
| | NIP | STEEL | CORE | 3 |
| | NIP | STEEL | ARMATURE | 2 |
| | NIP | STEEL | YOKE | 1 |
| INCOMBUSTIBILITY | TREATMENT | MATERIAL | DESCRIPTION | ITEM |

| | | | | | | | |
|--|--------|--------|------------------|-----------------------------|-----------|----------------|---------------|
| THIS DRAWING IS A CONTROLLED DOCUMENT. | | DWN | Huang.Yunshou | - | | | |
| DIMENSIONS: mm | | CHK | Yu, Banghua | - | | | |
| TOLERANCES UNLESS OTHERWISE SPECIFIED: | | APVD | Zhang, Sunny | - | | | |
| | 0 PLC | ± | - | NAME | | | |
| | 1 PLC | ± | - | | | | |
| | 2 PLC | ± | - | | | | |
| | 3 PLC | ± | - | | | | |
| 4 PLC | ± | - | PRODUCT SPEC | T77*1D3-** CUSTOMER DRAWING | | | |
| ANGLES | ± | - | APPLICATION SPEC | | | | |
| MATERIAL | FINISH | WEIGHT | - | SIZE | CAGE CODE | DRAWING NO | RESTRICTED TO |
| - | - | - | - | A3 | 00779 | ②= 2-1393194-5 | - |
| CUSTOMER DRAWING | | | | SCALE | 5:1 | SHEET | 2 OF 2 |
| | | | | REV | E | | |