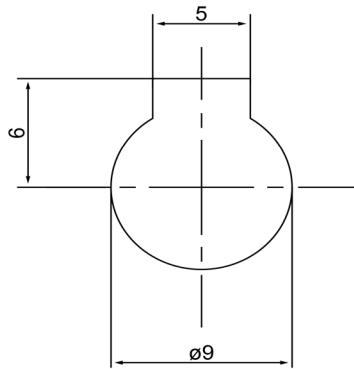
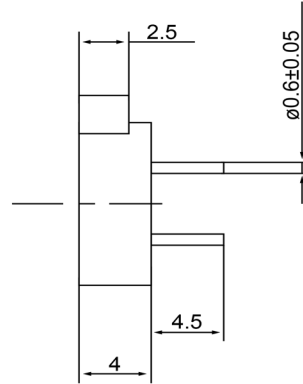


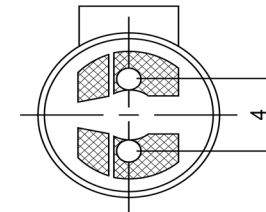
TOP VIEW





SIDE VIEW



BOTTOM VIEW



Specifications			Notes	Revision History					
Description	Value	Unit		Version	Description	Date	Approved		
Technology	Electro-Mechanical		1) All dimensions are in mm unless otherwise noted 2) All parts meet RoHS	1	Released from Engineering	10/21/2013	J.S		
Resonant Frequency	2,731	(Hz)							
Rated Voltage	3	(V)							
SPL @ 10cm	85	(dBA)							
Coil Resistance	15	(ohm)							
Mount Type	Thru-hole								
Voltage Range	2 ~ 4	(V)							
Max Rated Current	90	(mA)							
Housing Material	NORYL								
Operating Temperature	-30 ~ +70	°C							
Storage Temperature	-40 ~ +85	°C							
Weight	1	(g)							
						Drawn by Date Checked by Date Approved by Date		TE092703-5	
						A.B. 10/21/2013 C.E. 10/21/2013 J.S 10/21/2013			
			Electro-Mechanical Transducer						